

ZIPSCREEN

Zipscreen is the ultimate external screening solution for any outdoor area or window. Specially designed for alfresco entertaining areas such as pergolas, verandas, and balconies, it offers privacy and protection from the sun, wind, rain, and insects all year round. Also ideal for home and office windows, it serves as a sleek, secure, and durable alternative to traditional awnings & outdoor roller shutters. Your custom designed system can be made in widths of up to 5 meters or drops up to 4 meters, offering you an external solution to fit almost any area.

AESTHETIC FEATURES

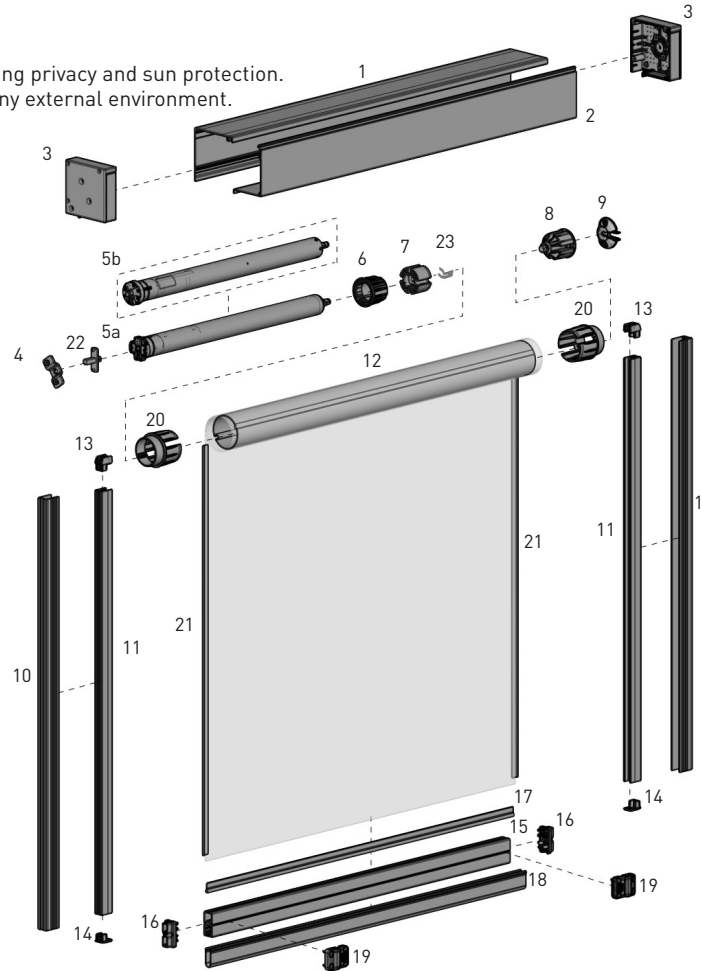
- An ideal solution for enclosing Pergolas, Al Fresco & outdoor entertaining areas offering privacy and sun protection.
- Wide range of standard colours and ability to custom powder-coat extrusions to suit any external environment.
- Choice of open or enclosed roller.
- Sleek and contemporary square cassette box.
- Clean, architectural look.

ASSEMBLY / INSTALLATION BENEFITS

- Adjustable side guides to enable installation in out of square areas.
- Choice of F56 or F72 one piece weight bars for easy installation.
- Two piece cassette box for easy installation.
- Choice of 78 aluminium and steel tubes.
- Zipscreen components are interchangeable with the Veue Drop Awnings suite.
- One reducer, and a combined booster and pre tension idler means less inventory.
- End plates overlap the edges of the front and back covers to hide cutting imperfections.
- Hinges are located on the end plates for easy headbox installation.

FUNCTIONAL BENEFITS

- A semi-fascia is now available, in addition to a fully-enclosed box or open bracket solution offering multiple configurations
- Improved funnel design to guide zip into channels
- Exterior grade powder coated finish.
- Hidden side retention system to keep fabric secure in channels.
- The stronger F56 weight bar offers more rigidity over wider spans.
- The new one piece F72 heavy duty weightbar offers outstanding performance over large spans
- Choice of weight bar bubble or weather seal strip for uneven floors.
- An all-inclusive end plate set means that cover caps are no longer required. The universal end plate set comes with a pre-notched section that can be 'snapped-off' to accommodate all control options.



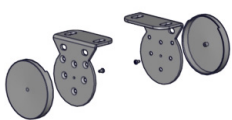
SYSTEM INDEX

1	Box 120 Back
	RE01-0101-xxx580
2	Box 120 Cover
	RE01-0102-xxx580 - FULL
	RE01-0103-xxx580 - FASCIA
3	Box 120 End Plate Set
	RE01-1101-xxx120
4	M50 Motor Bracket + Screws - Universal Motors
	RE01-0601-025000
5	Automate FT Electronic Limit Motor
	a. MT01-1145-06900X - US
	b. MT01-1145-050001 - AU
6	Automate Crown Wheel/Somfy
	RE01-0663-050518
7	Automate Drive Wheel 78mm
	RE01-0680-050518 - IMPACT DETECTION
	RE01-0679-050508 - NO IMPACT DETECTION - US ONLY
8	Bearing Idler
	RE01-0203-050063
9	Idler/Spring Adaptor
	RE01-0204-xxx000
10	Zipscreen I U Mounting Rail
	SB04-0702-xxxLLL
11	Zipscreen I Zip Inner Rail
	SB04-0701-xxxLLL
12	Tube 78mm
	RE01-0378-000580 - Aluminium
	AW92-0901-xxxLLL - Steel
13	Zipscreen I Inner Rail Funnel & Stop Set
	SB05-1411-050001
14	Zipscreen I Zip Inner Rail Bottom Cap Set
	SB05-1511-050001
15	F56 Weight Bar
	RE15-0101-000580
16	F56 Weight Bar Zip End Cap Set
	RE20-0302-xxx001
17	7.2mm Spline w/15mm Tail
	SB91-0408-001015
18	Ultra Lock Seal
	SB91-004-050075
19	Zipscreen Ultra Lock
	RE15-0401-050001 - AU ONLY
20	Zipscreen Reducer 78 63mm
	RE20-0301-050078
21	Zip No.6 Gauge
	SH91-0135-050200
22	Automate 10mm Square Shaft + Screws SLIM Motor
	RE01-0603-025000 - US ONLY
23	Automate Drive Wheel CLIP for FT Motor
	MTCLIP-35-45 - US ONLY

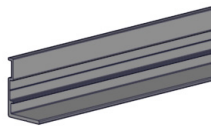
xxx= colour

SYSTEM OPTIONS

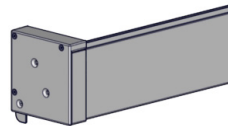
OPEN BRACKETS



L-FIXING RAIL

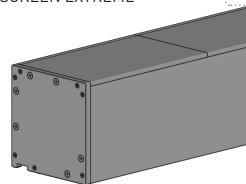


FASCIA



SYSTEM UPGRADES

ZIPSCREEN EXTREME



COLOR RANGE



CONTROL OPTIONS

MOTORIZED



CRANK GEAR

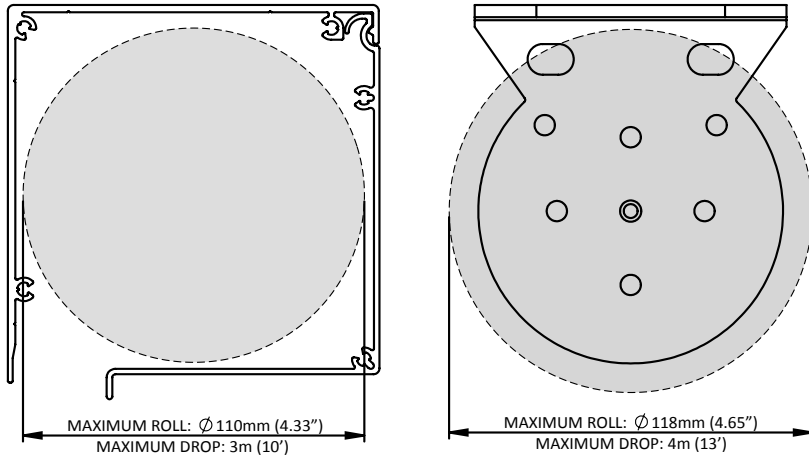


SPRING

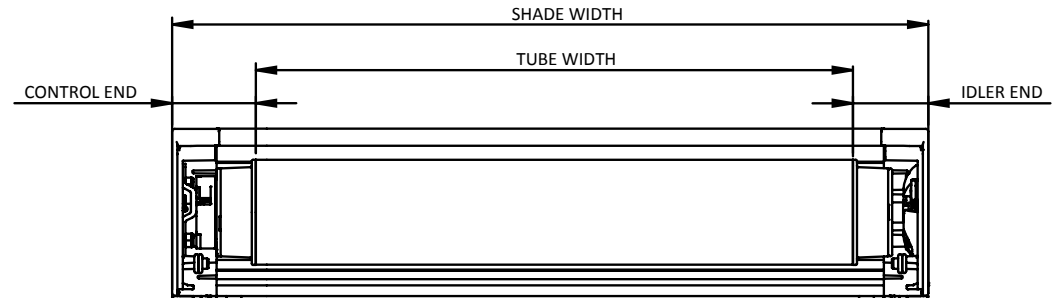


SPECIFICATIONS

MAX ROLL



DEDUCTION



OVERALL DEDUCTION		
BOX	FACE FIX	123mm (4.84")
	SIDE FIX	118mm (4.65")
OPEN	FACE FIX	132mm (5.20")*
	SIDE FIX	114mm (4.48")

*For Zipscreen, Open, Face Fix Installations without covers take 14mm off the deduction value, if using Face Fix U-Rail take 18mm off.

SYSTEM CAPACITY

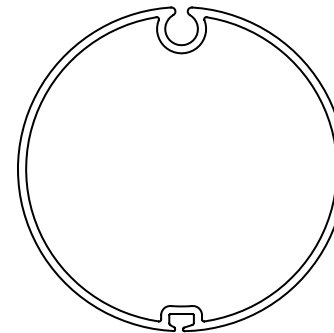
DROP		WIDTH																ft		
		3	4	5	6	7	8	9	10	11	12	13	14	15	16	17				
ft	m	0.75	1.00	1.25	1.50	1.75	2.00	2.25	2.50	2.75	3.00	3.25	3.50	3.75	4.00	4.25	4.50	4.75	5.00	m
3	0.75																			
	1.00																			
4	1.25																			
5	1.50																			
6	1.75																			
7	2.00																			Box & Open Blinds
8	2.25																			
	2.50																			
9	2.75																			
10	3.00																			
	3.25																			
11	3.50																			Open Blinds Only
	3.75																			
13	4.00																			

Parameters: 573gsm (16.90 oz/yd²) Fabric, F56 Weight Bar

CONTROL	TUBE
SPRING GEAR MOTOR	78mm ABOVE OPTIMUM PERFORMANCE FOR 78mm

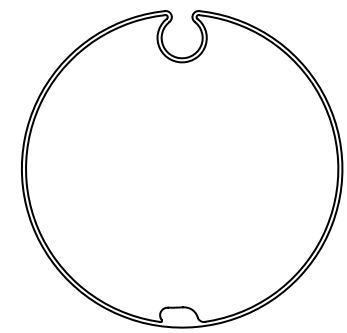
SPRING - Minimum Shade Width = 0.8m (3ft) || GEAR - Minimum Shade Width = 0.5m (2ft) || MOTOR - Minimum Shade Width = 0.8m (3ft)

TUBE SPECS



ALUMINUM TUBE 78mm

Code: RE01-0378-000580
OD: 80mm (3.15")
Length: 5.8m (19ft)



STEEL TUBE 78mm

Code: AW92-0901-000LLL
OD: 78mm (3.07")
Length: 5m (16ft), 7m (23ft)