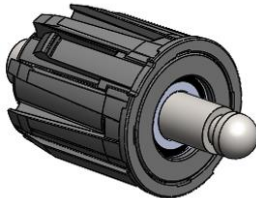
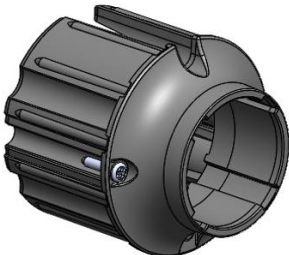


NEW PRODUCT | ZIPSCREEN 78 TO 45mm REDUCER and 45mm IDLER

PRODUCT DETAILS		
DESCRIPTION.	Bearing Idler 45mm	Reducer 78mm to 45mm w/ Screws
CODE.	RE01-0213-050045	RE20-0311-050178
PACK SIZE.	10 50 EACH	4 100 EACH
COLOUR / FINISH.	Black	Black
IMAGE.		
USE WITH.	Reducer 78mm to 45mm and 78mm tubes	45mm bearing idler and 78mm tubes
AVAILABLE.	October 17, 2022	October 17, 2022

FEATURES & BENEFITS

PRODUCTION / INSTALLATION FEATURES

- Used with 45mm/M50 motors with no crowns required (not for use with spring or crank control)
- Design features to snap/fasten components together (saves riveting components) - up to 15 mins saving per system.

FUNCTIONAL BENEFITS

- Idler snaps into reducer for a secure, reliable connection
- Reducer has a significantly larger step down to allow more zip build-up
- Reducer has cut-out feature that allows the fabric to be inserted after component assembly.