



# Externals

## **ARCHITECTURAL SPECIFICATIONS**

v1.2 | August 2024

**ZIPSCREEN®**

# CONTENTS

<b>SECTION A   ARCHITECTURAL SPECIFICATIONS</b>	<b>3</b>
ZIPSCREEN   BOX 120 .....	3
ZIPSCREEN   BOX 160 .....	4
ZIPSCREEN   BOX 190 .....	5
ZIPSCREEN   OPEN BRACKETS .....	6
ZIPSCREEN   EXTREME OPEN BRACKETS .....	7
WIRE GUIDE   BOX 120 .....	8
WIRE GUIDE   BOX 160 .....	8
WIRE GUIDE   BOX 190 .....	9
WIRE GUIDE   OPEN BRACKETS   RECESS .....	9
WIRE GUIDE   OPEN BRACKETS .....	10
WIRE GUIDE   WEIGHT BAR HEIGHT .....	12
STRAIGHT DROP   BOX 120 .....	13
STRAIGHT DROP   OPEN BRACKETS .....	14
PIVOT ARM   BOX 120 .....	15
PIVOT ARM   OPEN BRACKETS .....	16
CASSETTE   POCKET SIZE .....	17
BRACKET DIMENSIONS   OPEN BRACKETS .....	19
BRACKET DIMENSIONS   BOX 190 .....	19
BRACKET DIMENSIONS   OPEN BRACKETS   ZIPSCREEN   EXTREME .....	20
BRACKET DIMENSIONS   OPEN BRACKETS   WIRE GUIDE .....	20
WEIGHT BAR ACCESSORIES .....	21
ZIPSCREEN WITH ULTRA LOCK SEAL .....	22
<b>SECTION B   DOCUMENT CHANGE NOTES</b>	<b>23</b>

## DISCLAIMER

### INTRODUCTION

This product specifications manual for External systems has been produced by Rollease Acmeda to supply the necessary information for the External systems.

### DISCLAIMER

Rollease Acmeda has used reasonable care in preparing the information included in this document, but makes no representations or warranties as to the completeness or accuracy of the information. Information is supplied upon the condition that the persons receiving the information will make their own determination as to its suitability for their purposes prior to use. Rollease Acmeda assumes no liability whatsoever for any damages incurred by you resulting from errors in or omissions from the information included herein. Rollease Acmeda reserves the right to make changes without further notice to any products to improve reliability, function or design.

### COPYRIGHT

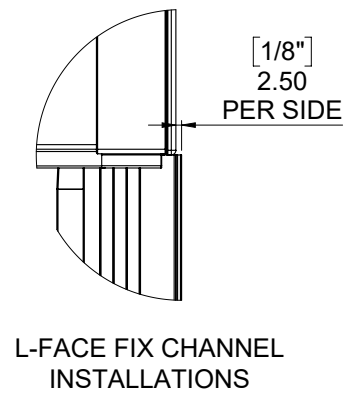
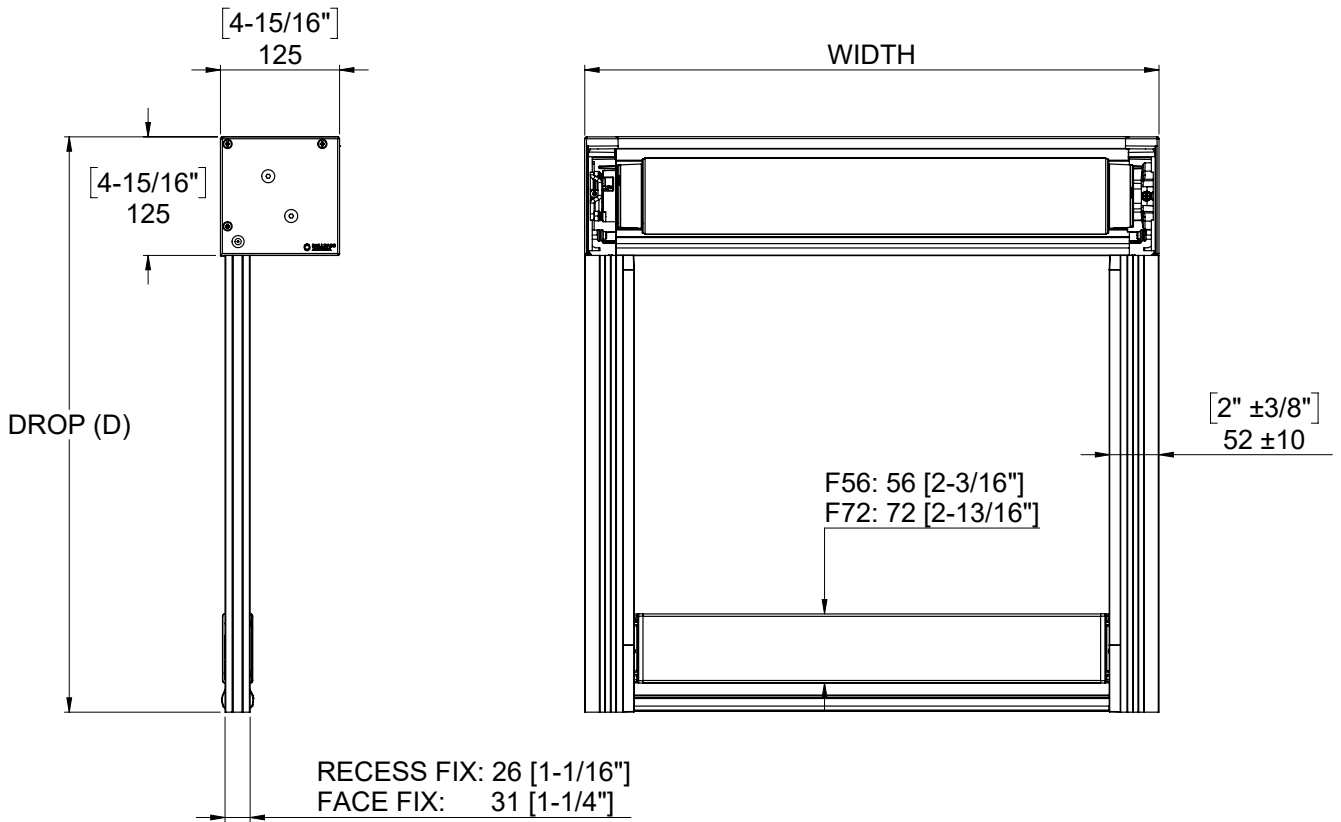
COPYRIGHT © ROLLEASE ACMEDA

All rights are reserved. No part of this document may be reproduced or utilised in any means, by any means, electronic or mechanical including photocopying, recordings, or by any information storage or retrieval system, without the express permission from Rollease Acmeda.



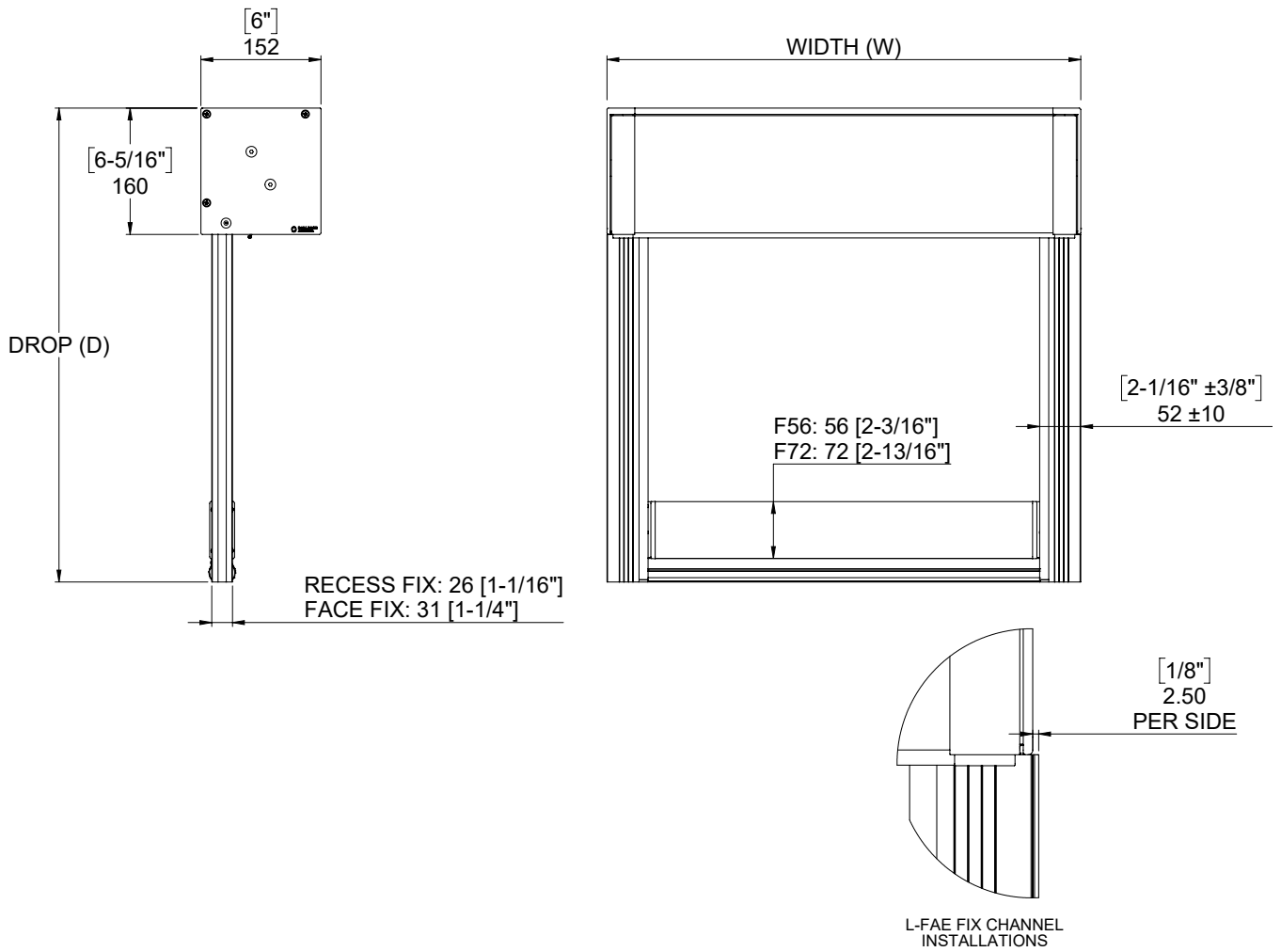
**ZIPSCREEN | BOX 120**

RECESS FIX & FACE FIX



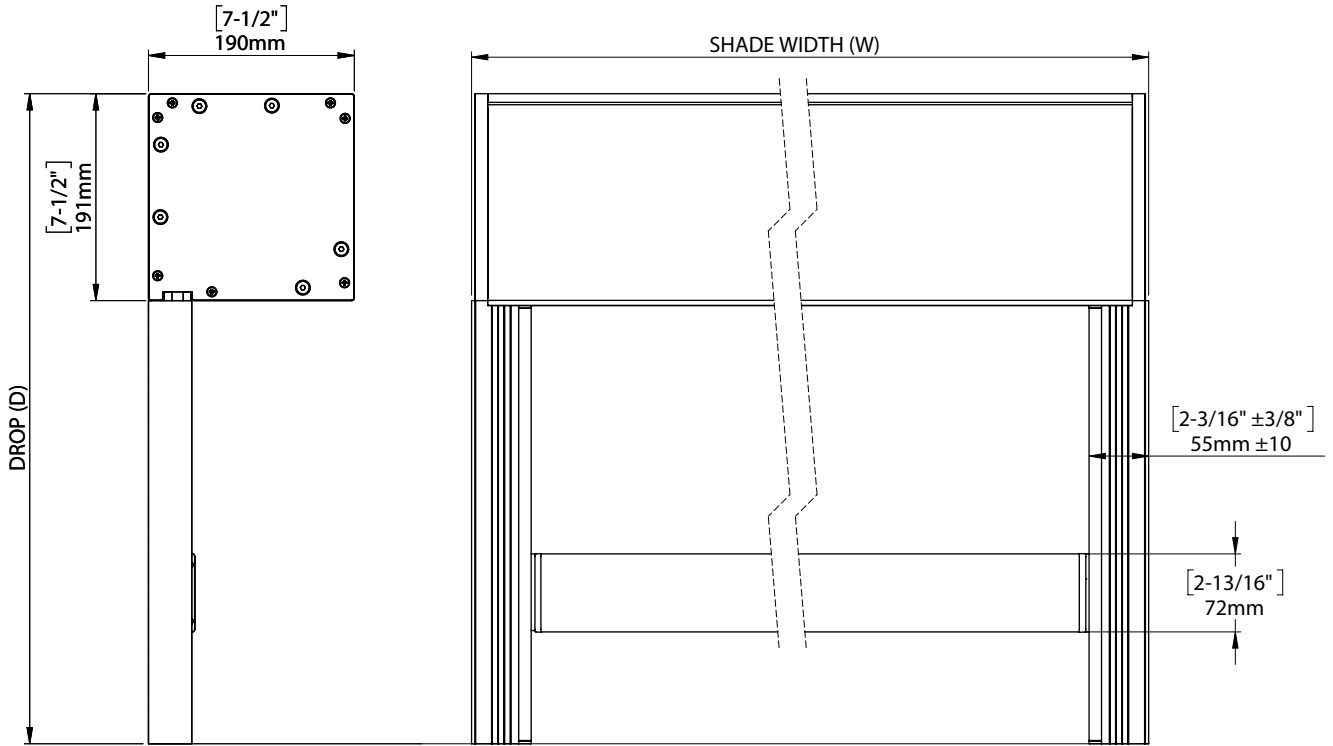
**ZIPSCREEN | BOX 160**

RECESS FIX & FACE FIX

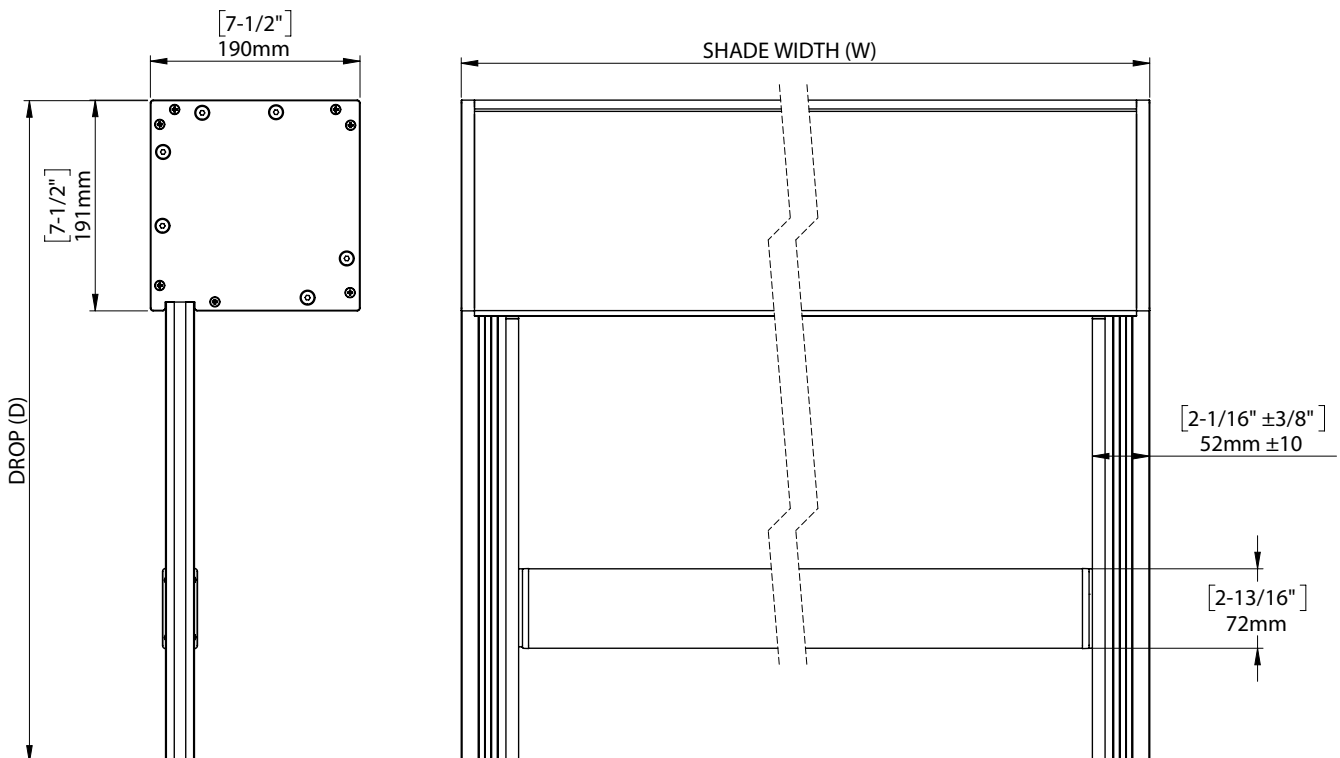


**ZIPSCREEN | BOX 190**

FACE FIX - BOX 190

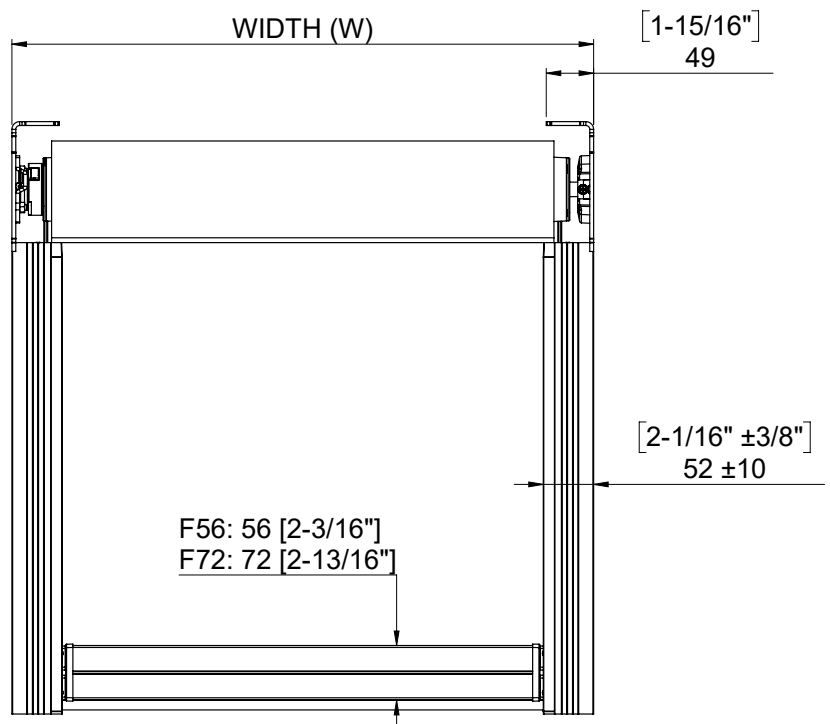
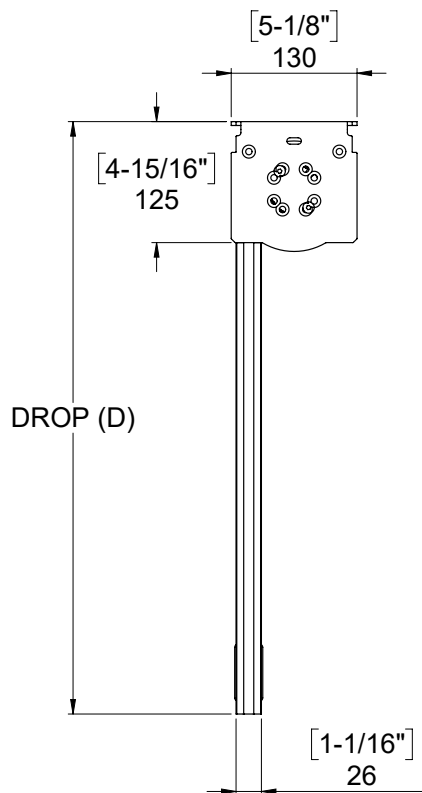


SIDE / TOP FIX - BOX 190

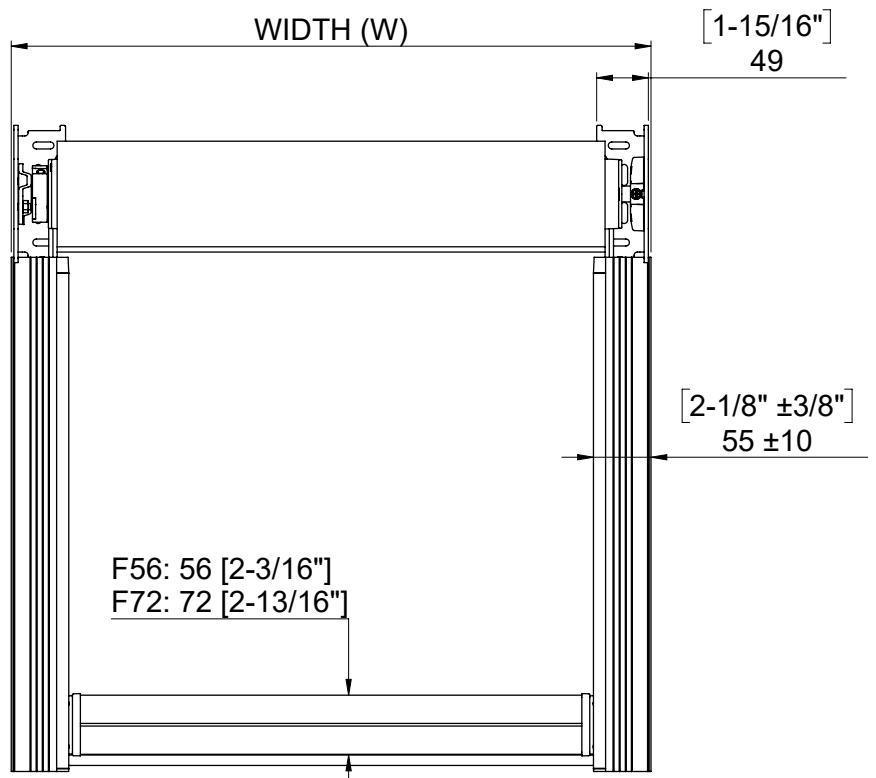
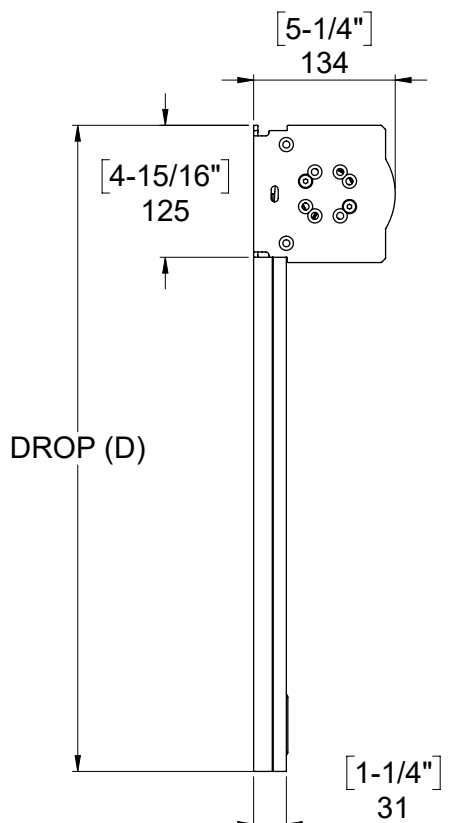


**ZIPSCREEN | OPEN BRACKETS**

SIDE FIX

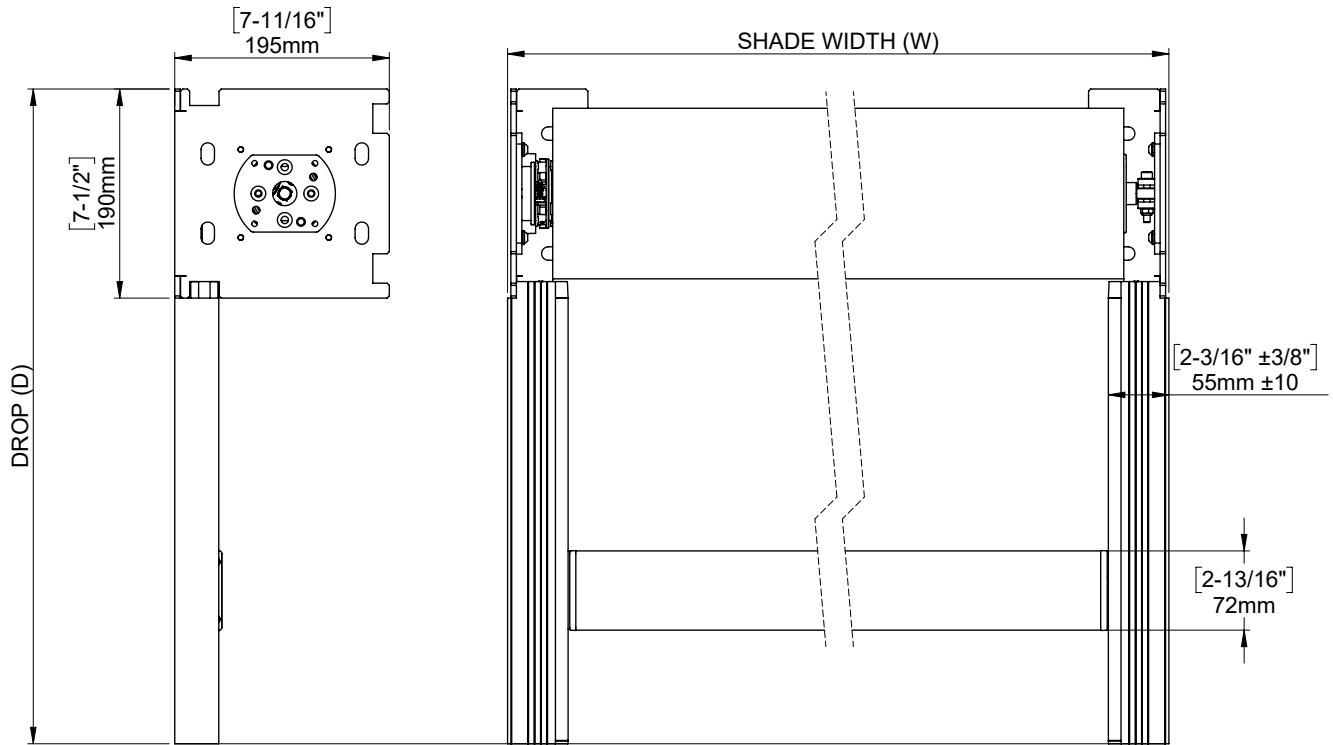


FACE FIX

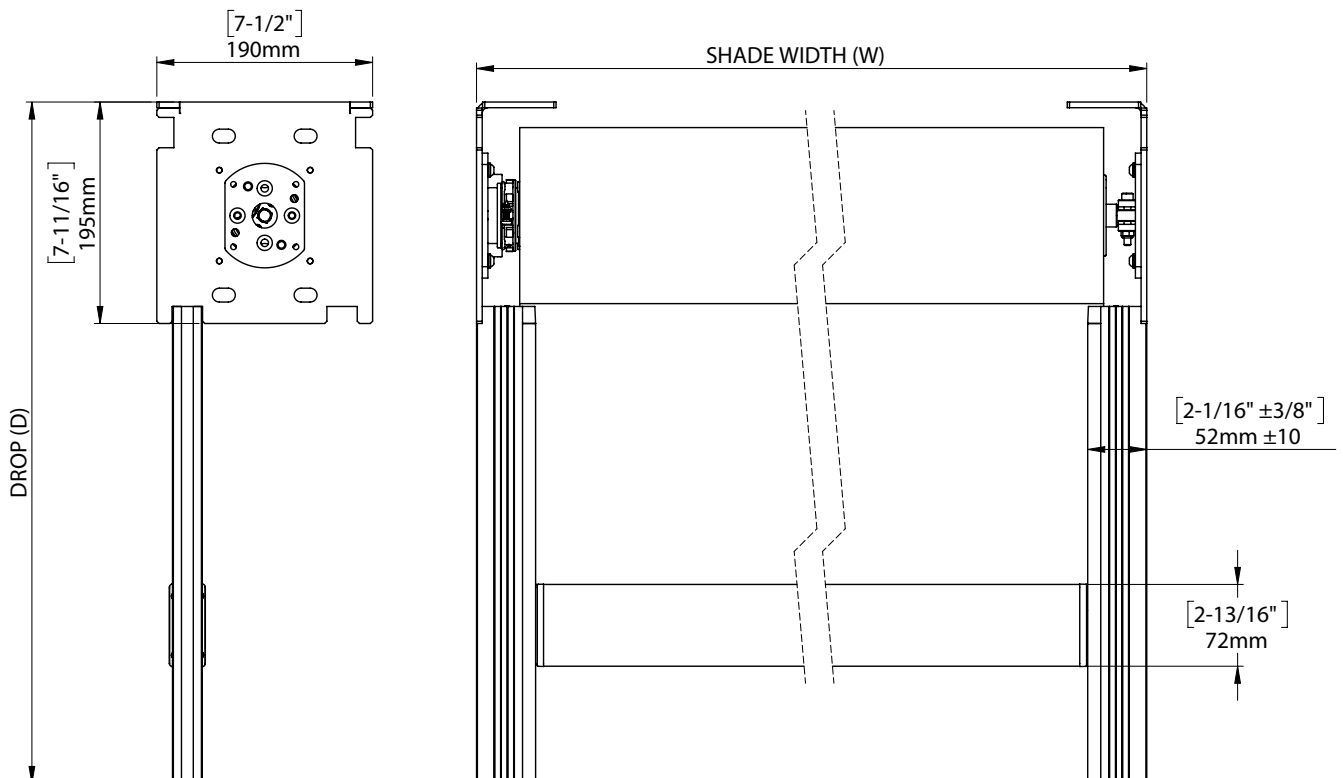


**ZIPSCREEN | EXTREME OPEN BRACKETS**

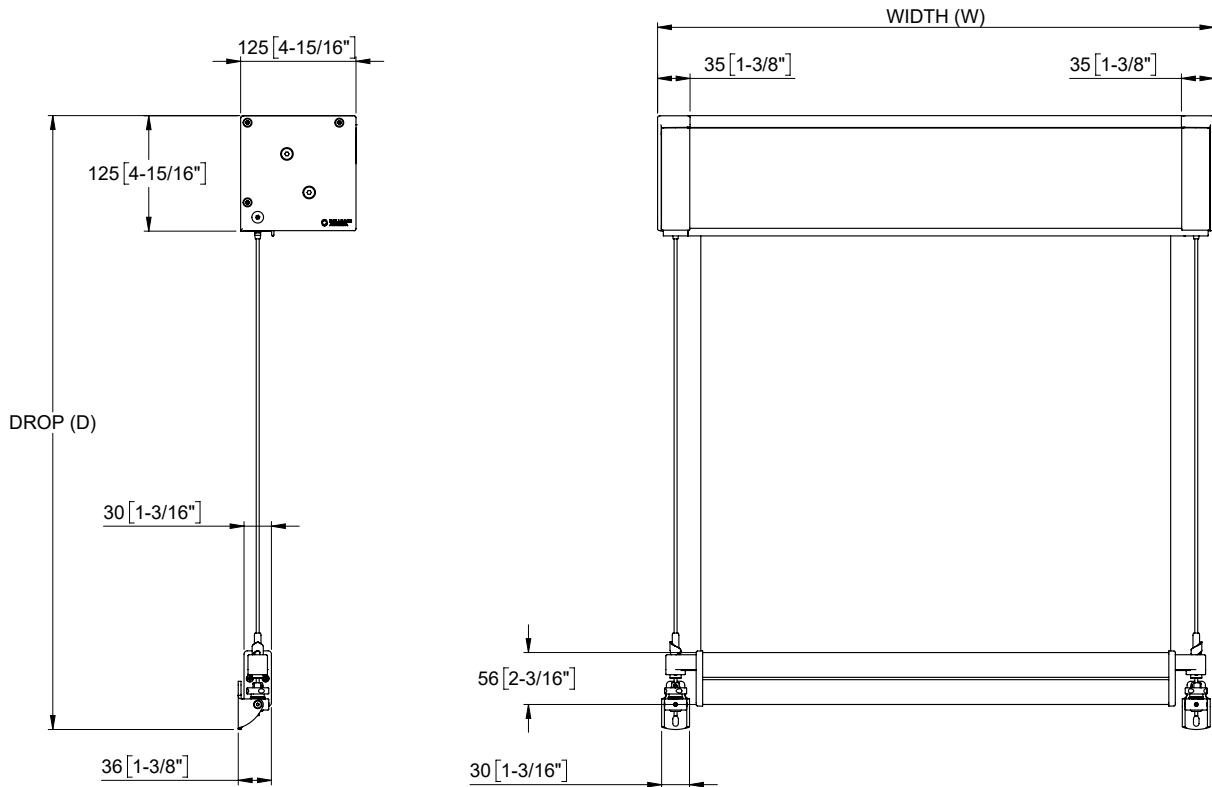
FACE FIX



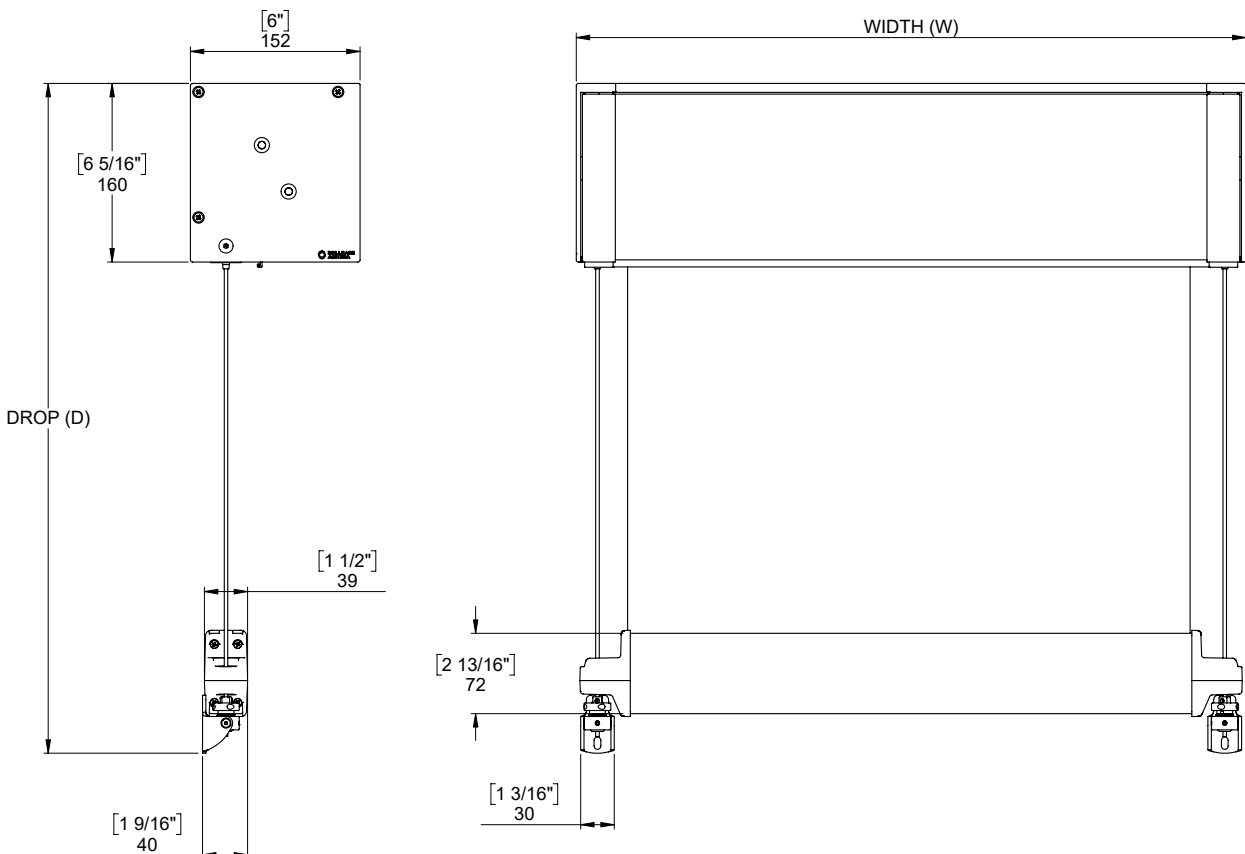
SIDE / TOP FIX



**WIRE GUIDE | BOX 120**

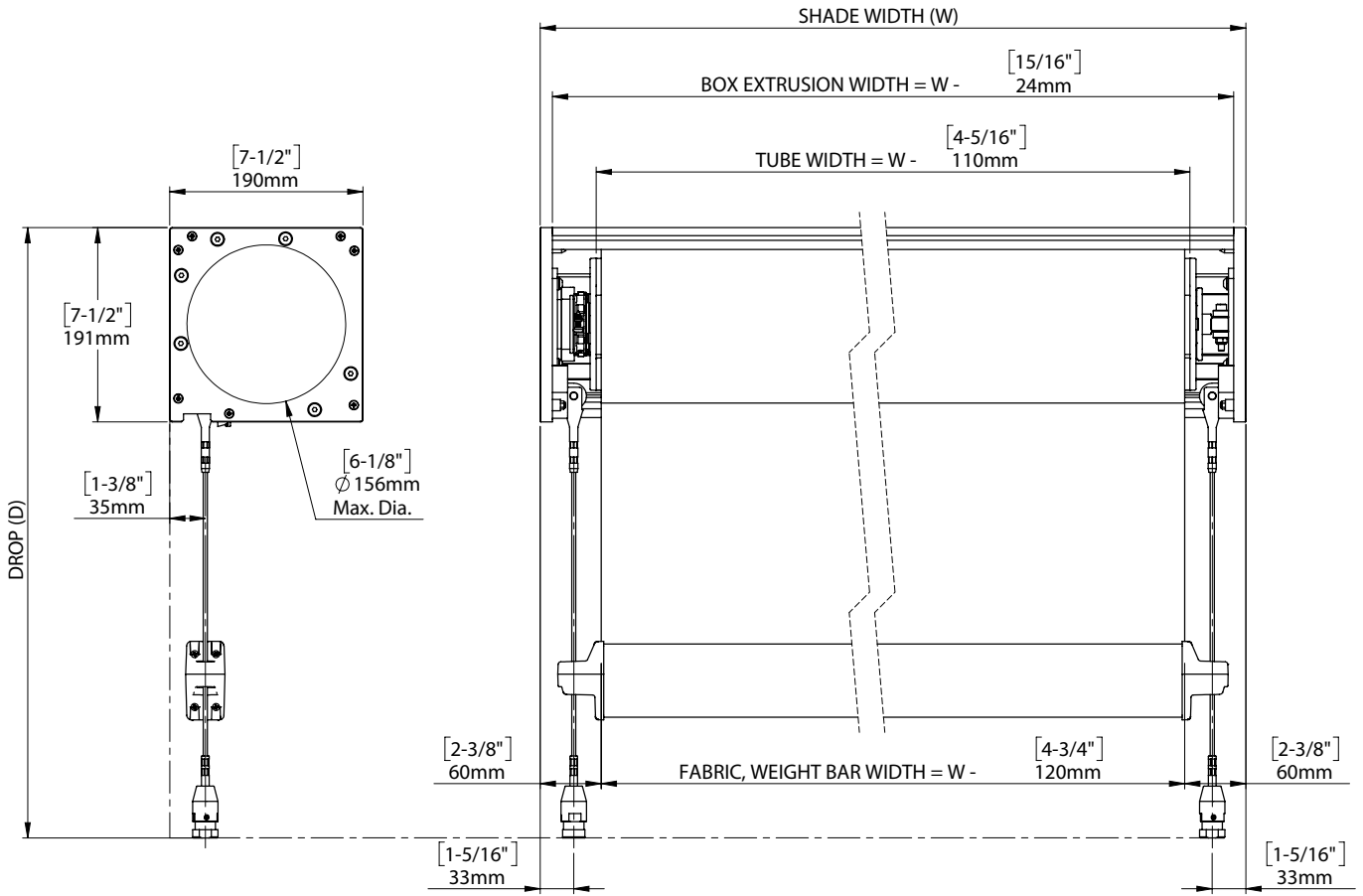


**WIRE GUIDE | BOX 160**

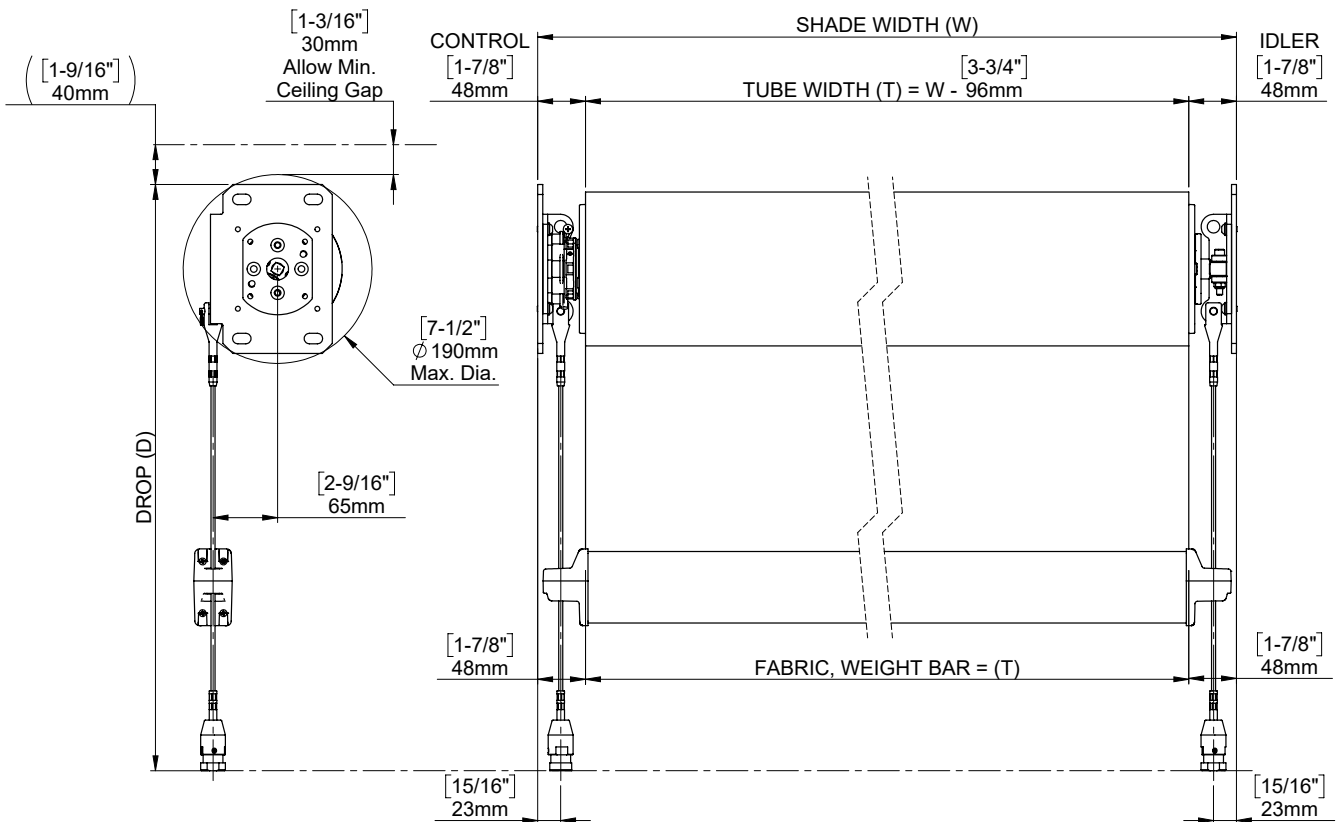




**WIRE GUIDE | BOX 190**

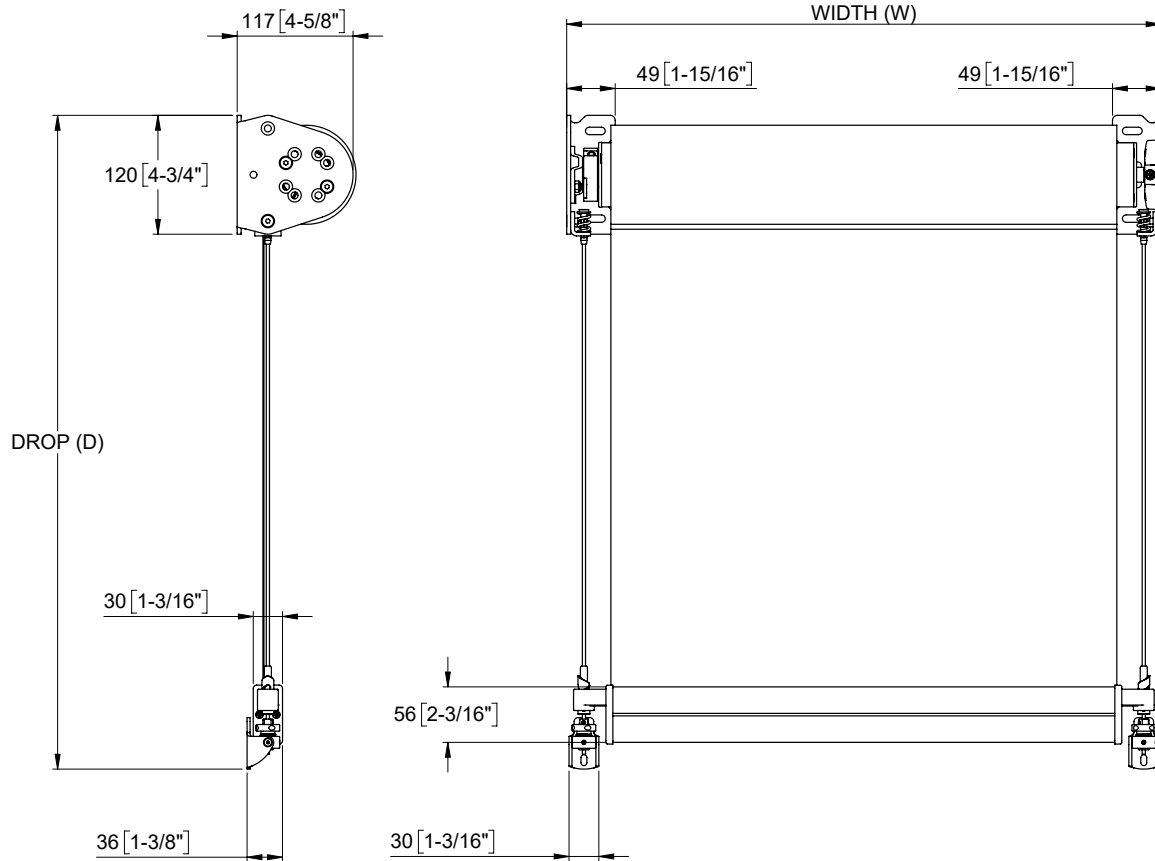


**WIRE GUIDE | OPEN BRACKETS | RECESS**

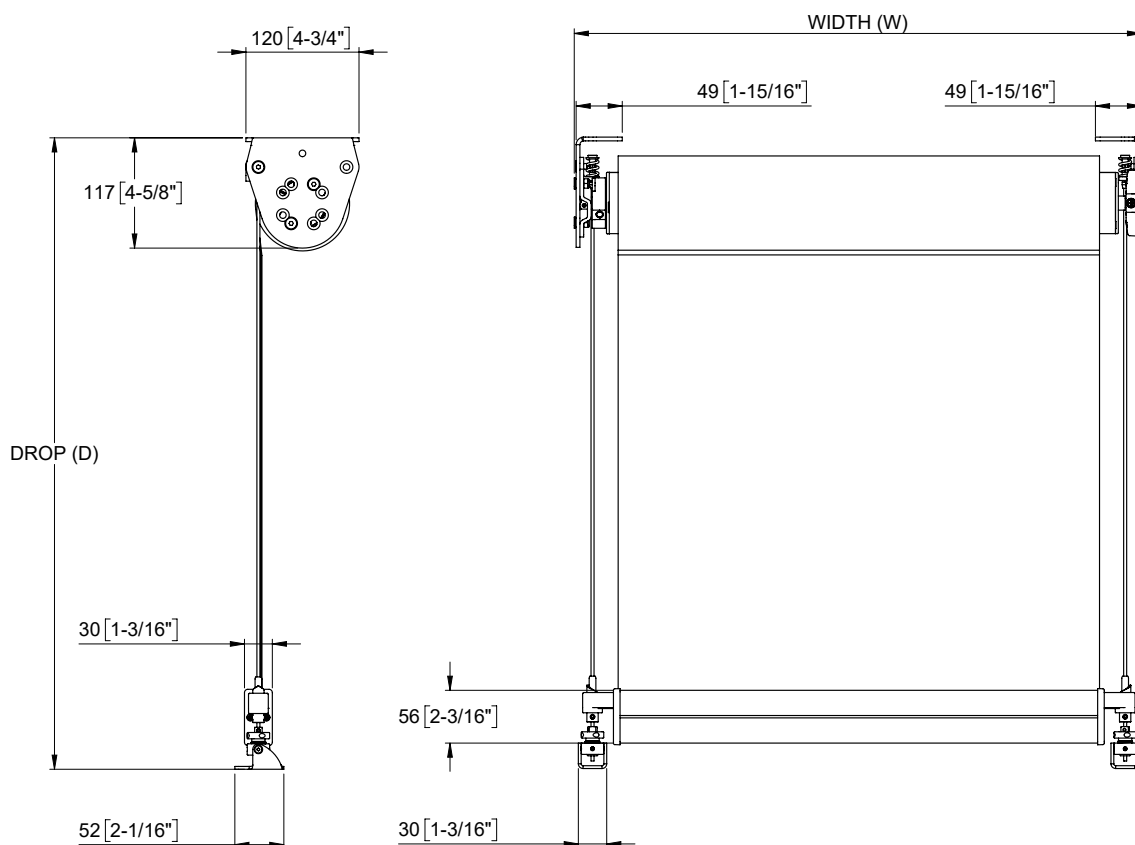


**WIRE GUIDE | OPEN BRACKETS**

FACE FIX

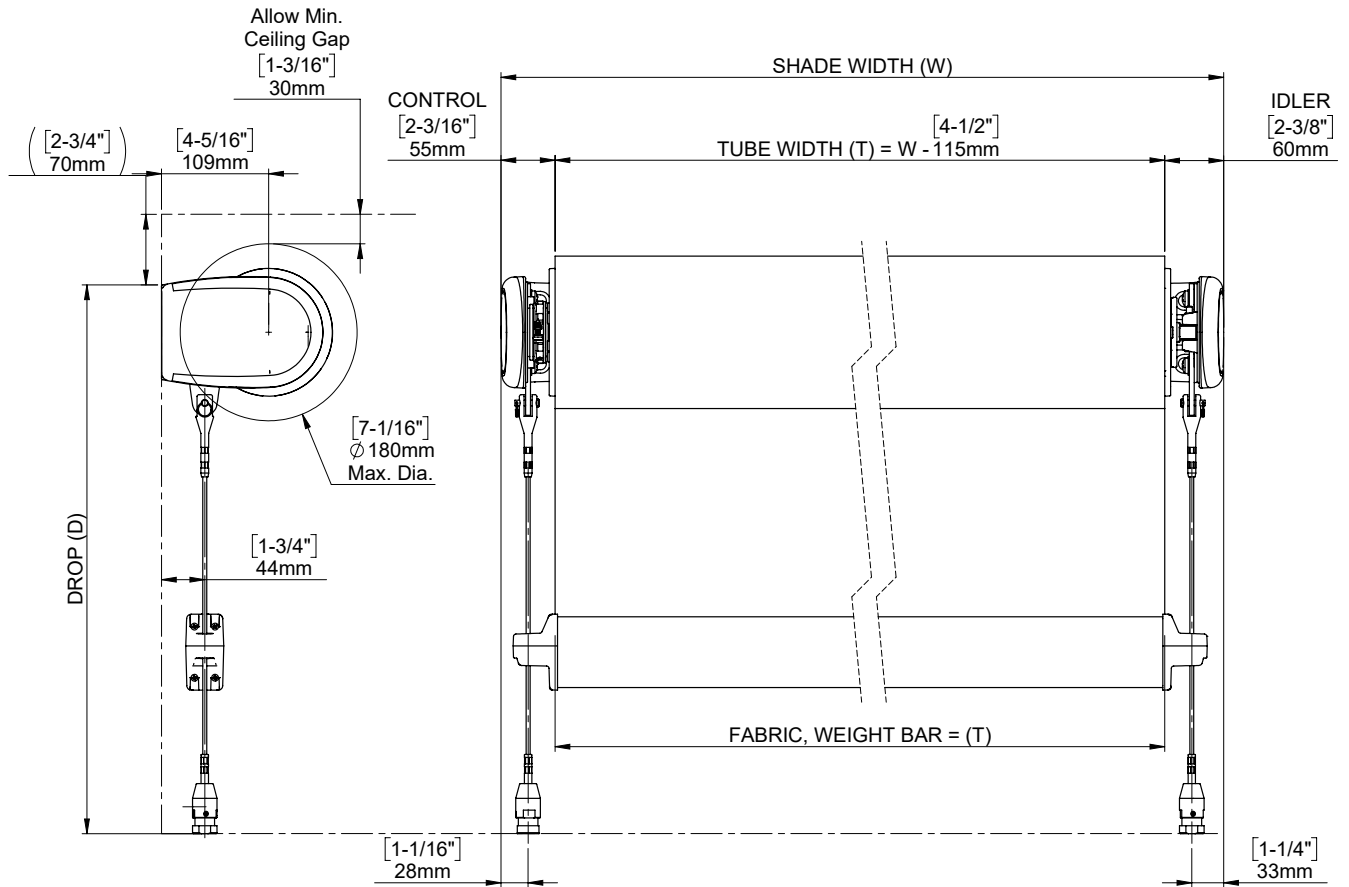


TOP FIX

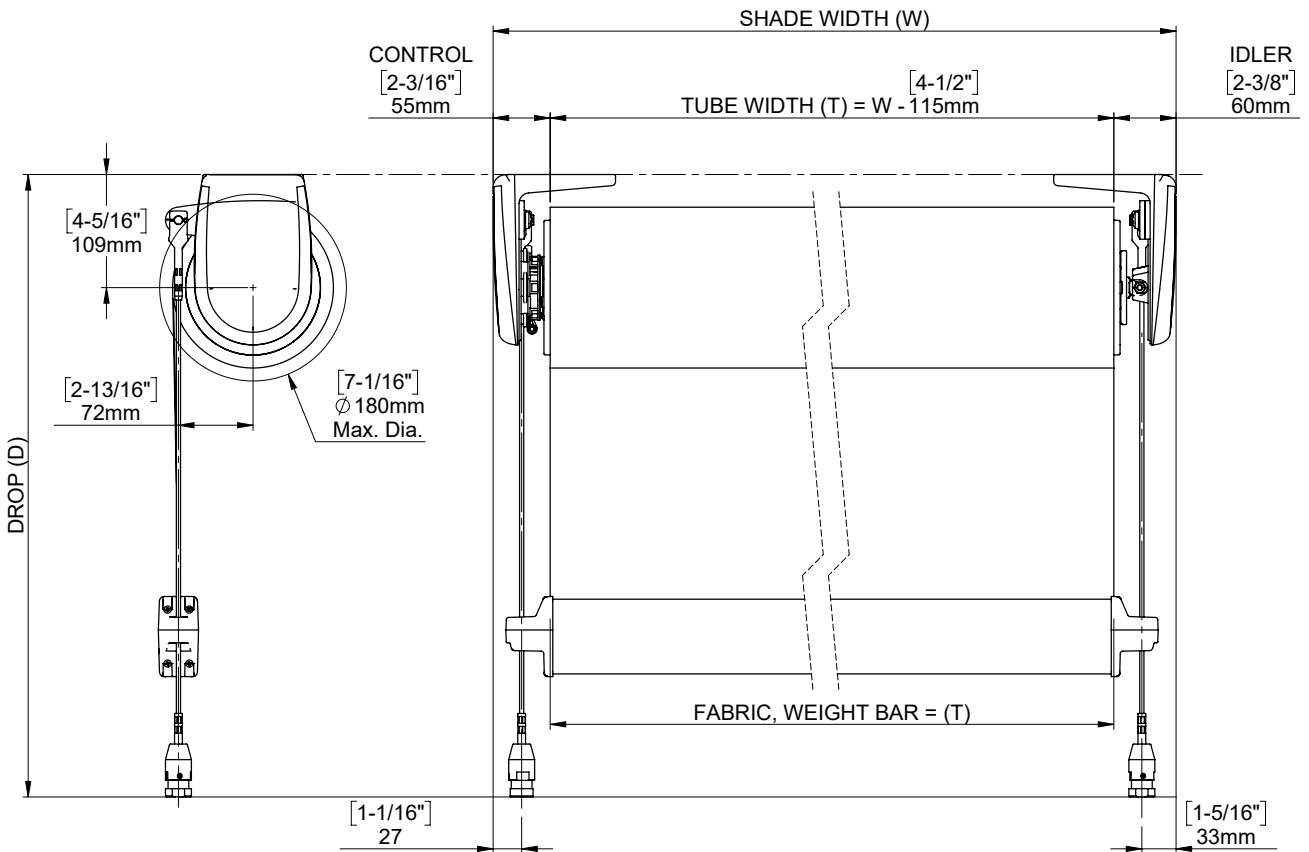


**WIRE GUIDE | OPEN BRACKETS**

**FACE FIX BRACKETS**

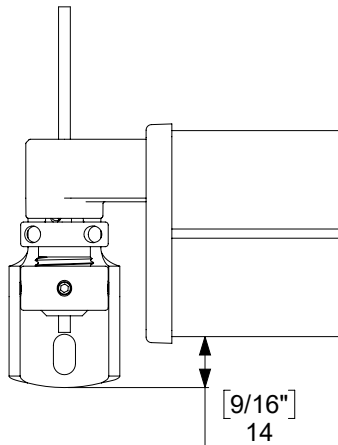


**TOP FIX BRACKETS**

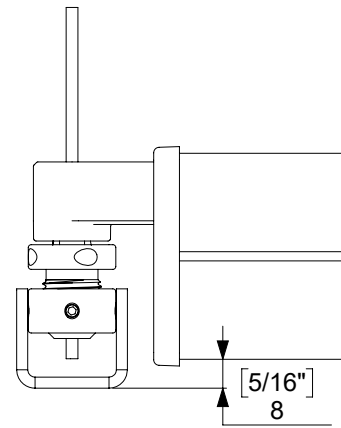


**WIRE GUIDE | WEIGHT BAR HEIGHT**

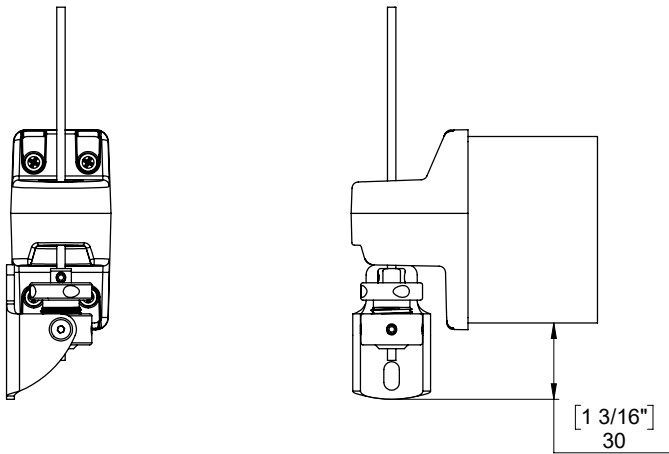
F56 FACE/SIDE FIX | 3.2mm



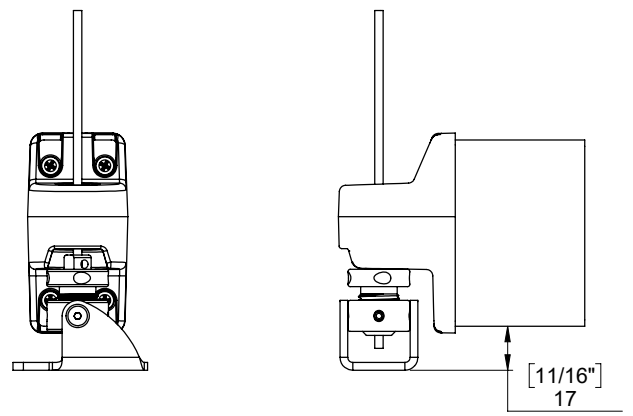
F56 FLOOR FIX | 3.2mm



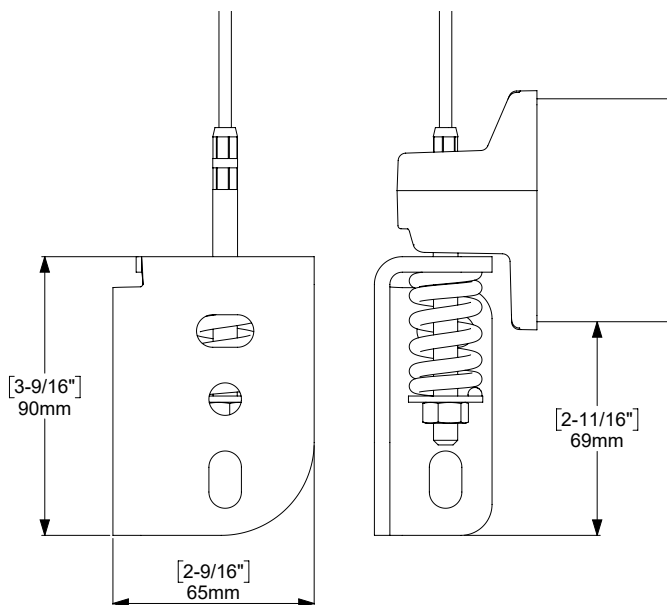
F72 FACE/SIDE FIX | 3.2mm



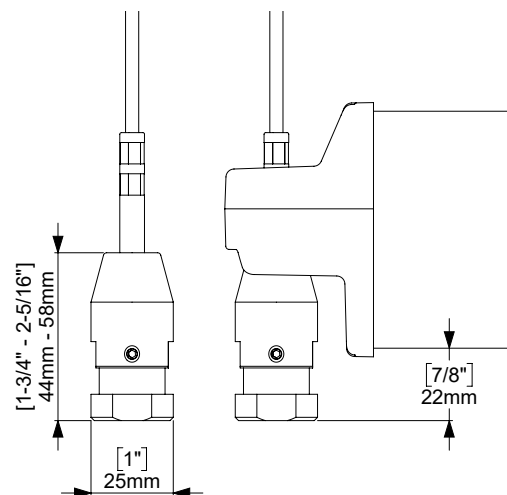
F72 FLOOR FIX | 3.2mm



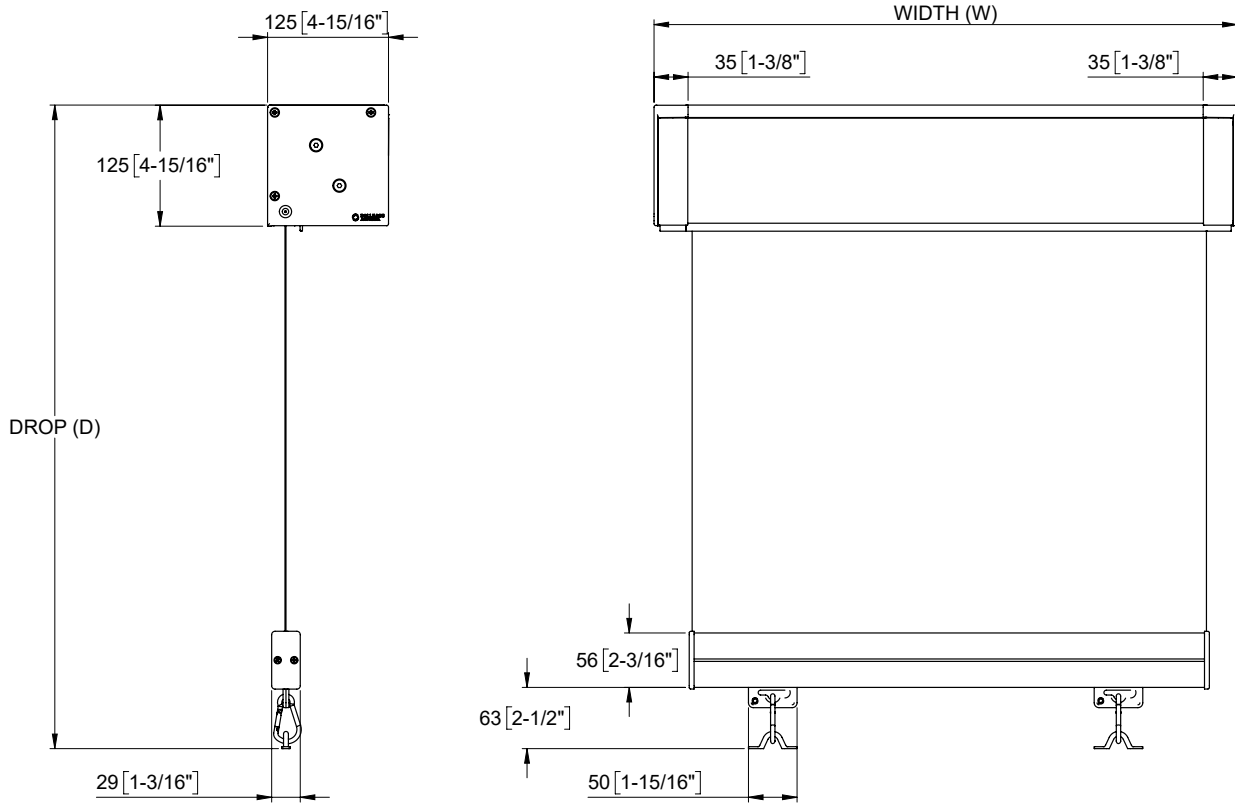
F72 FACE/SIDE FIX | 4mm



F72 FLOOR FIX | 4mm

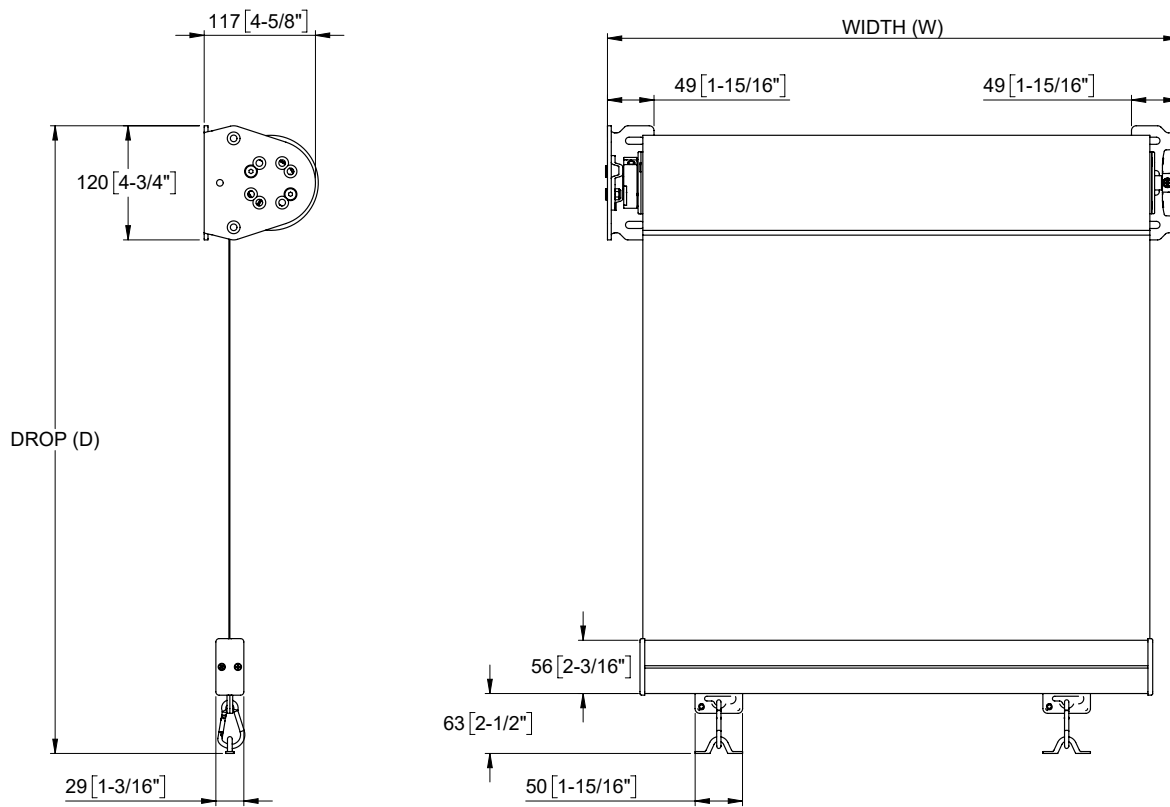


**STRAIGHT DROP | BOX 120**

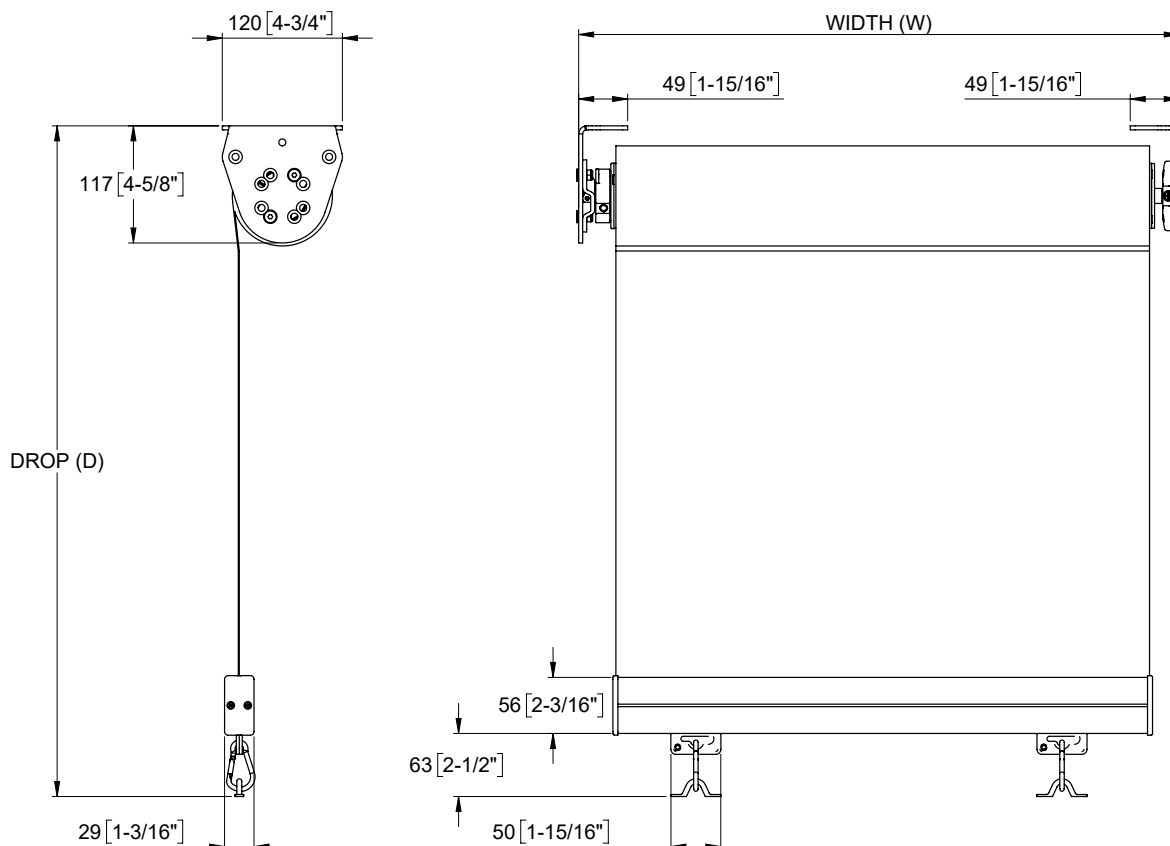


**STRAIGHT DROP | OPEN BRACKETS**

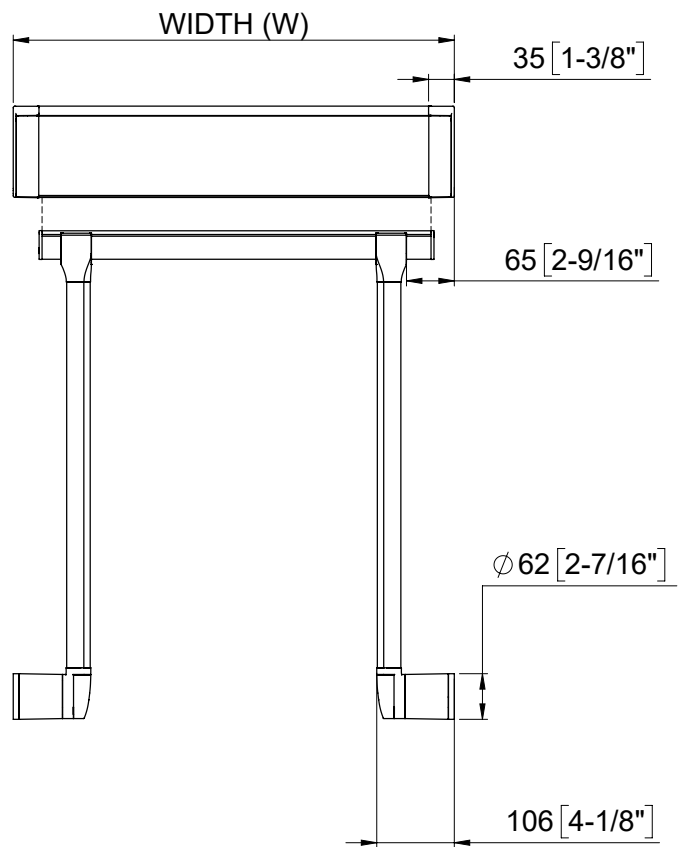
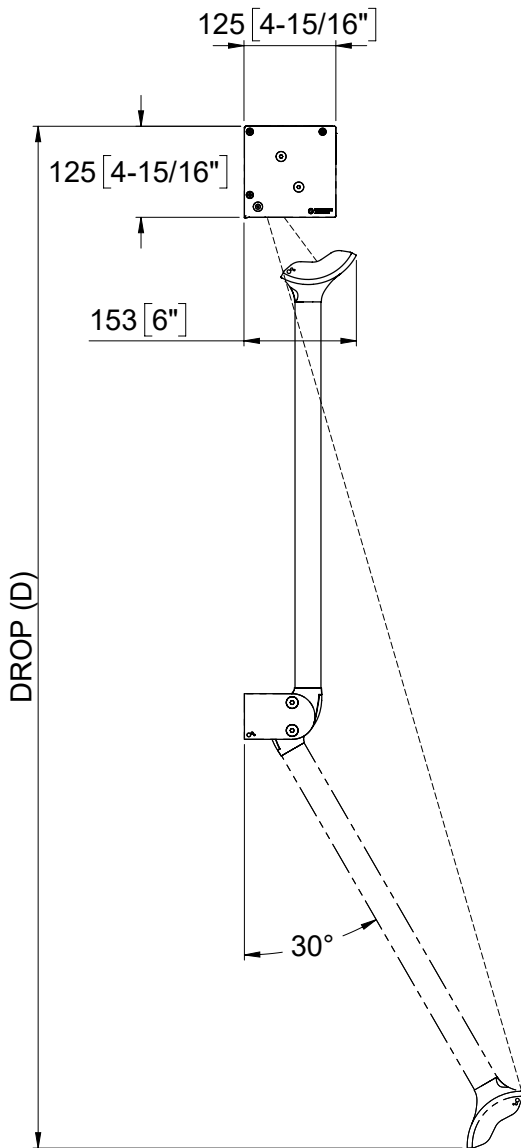
FACE FIX



TOP FIX

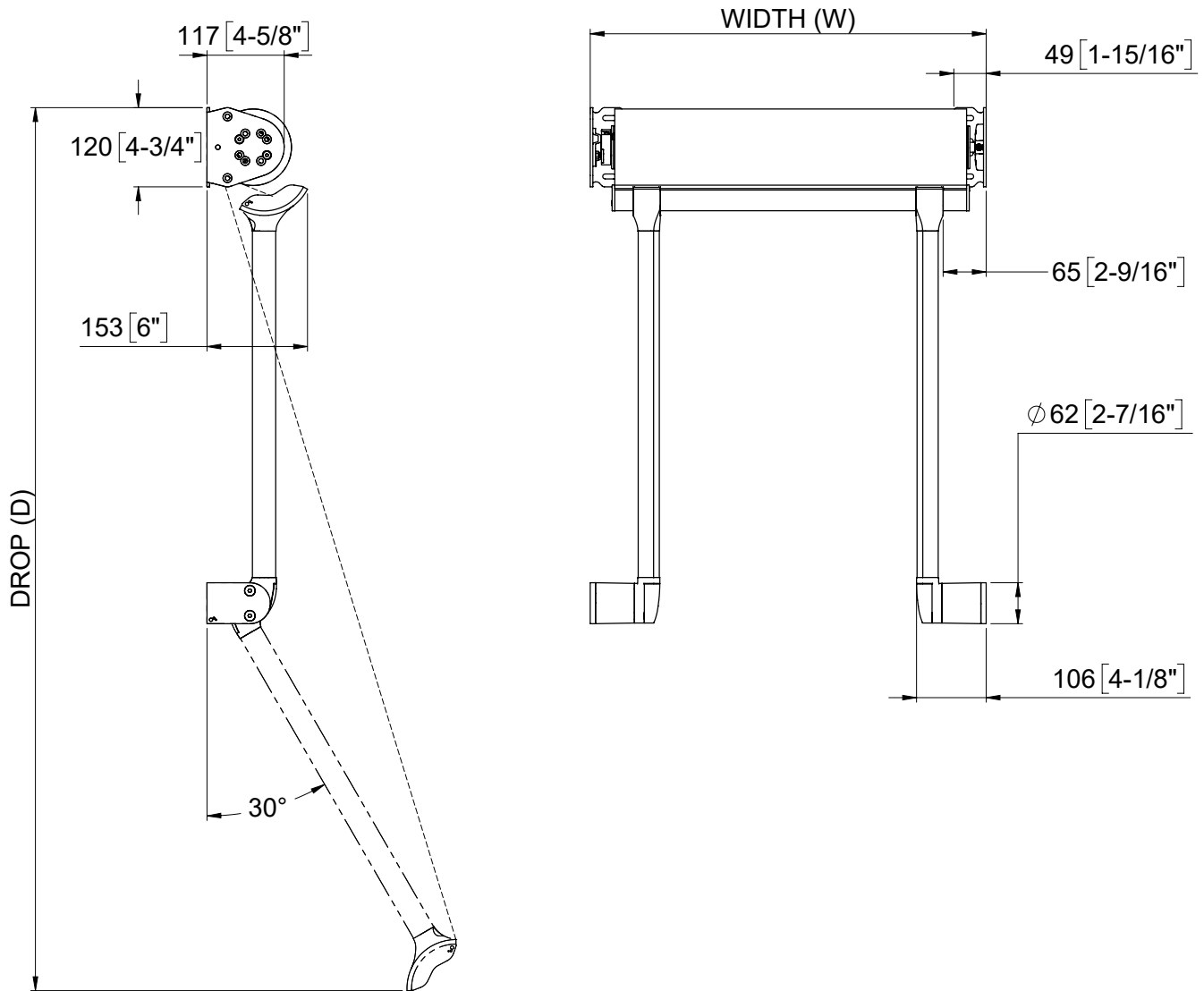


**PIVOT ARM | BOX 120**



**PIVOT ARM | OPEN BRACKETS**

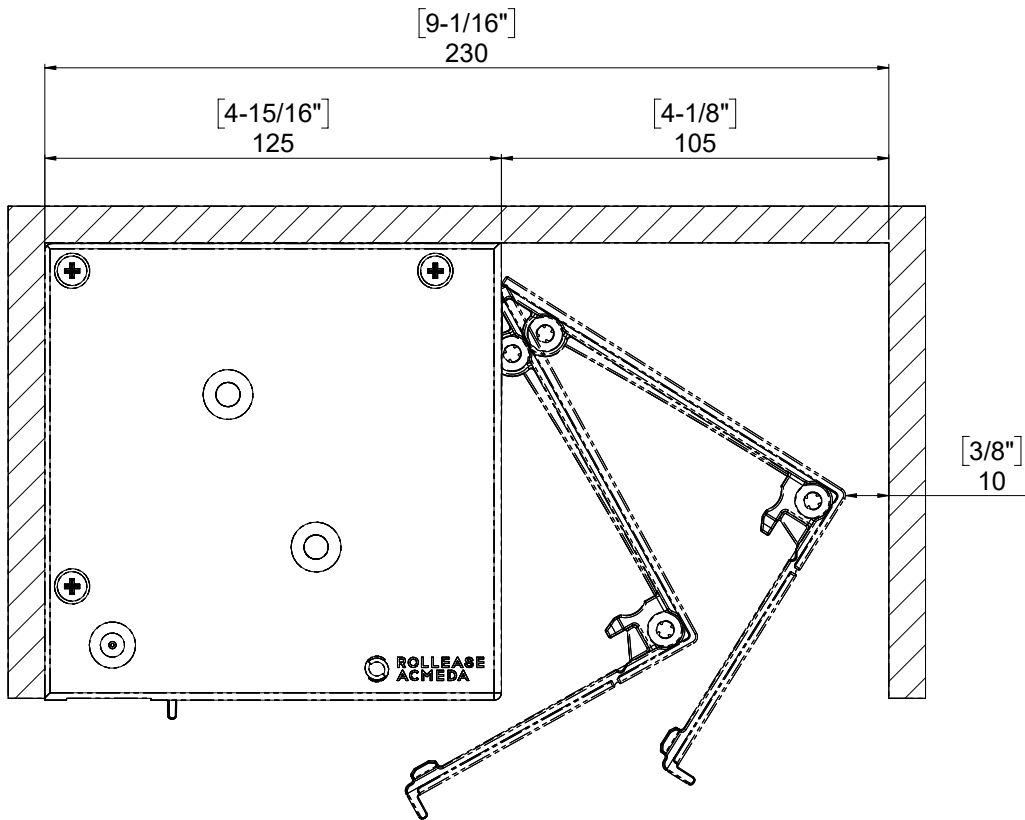
FACE FIX



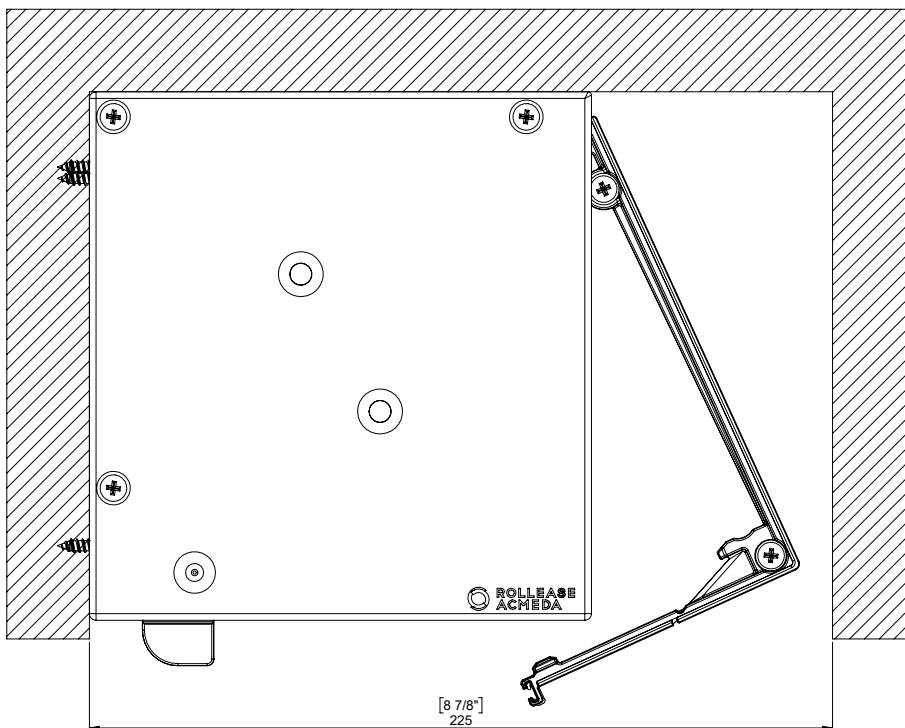


**CASSETTE | POCKET SIZE**

BOX 120

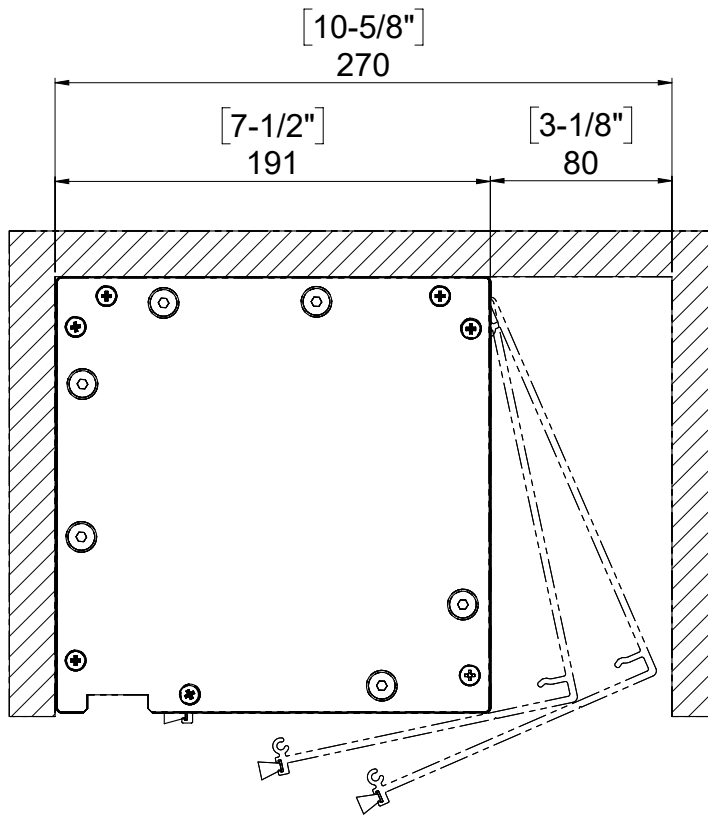


BOX 160

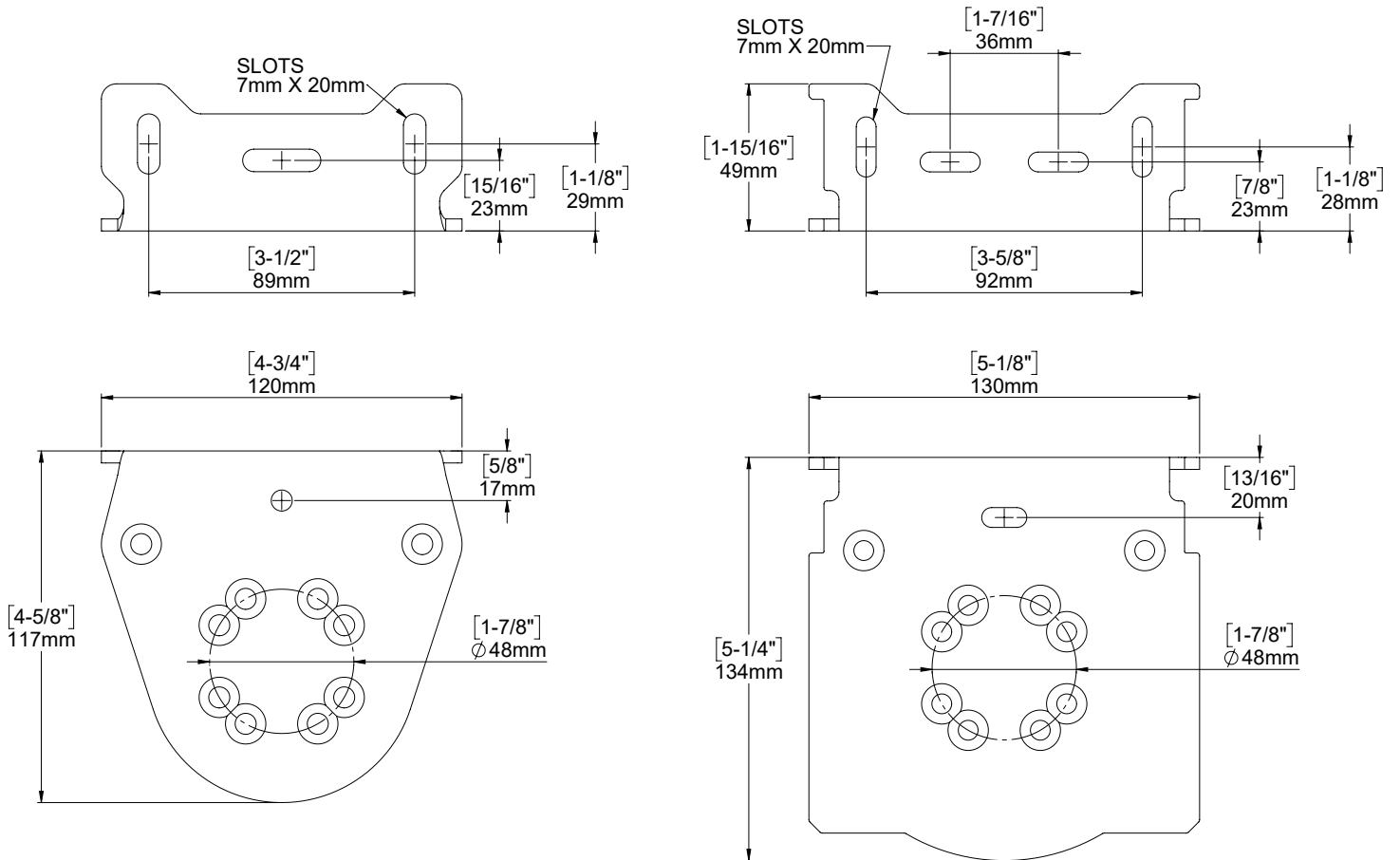


**CASSETTE | POCKET SIZE**

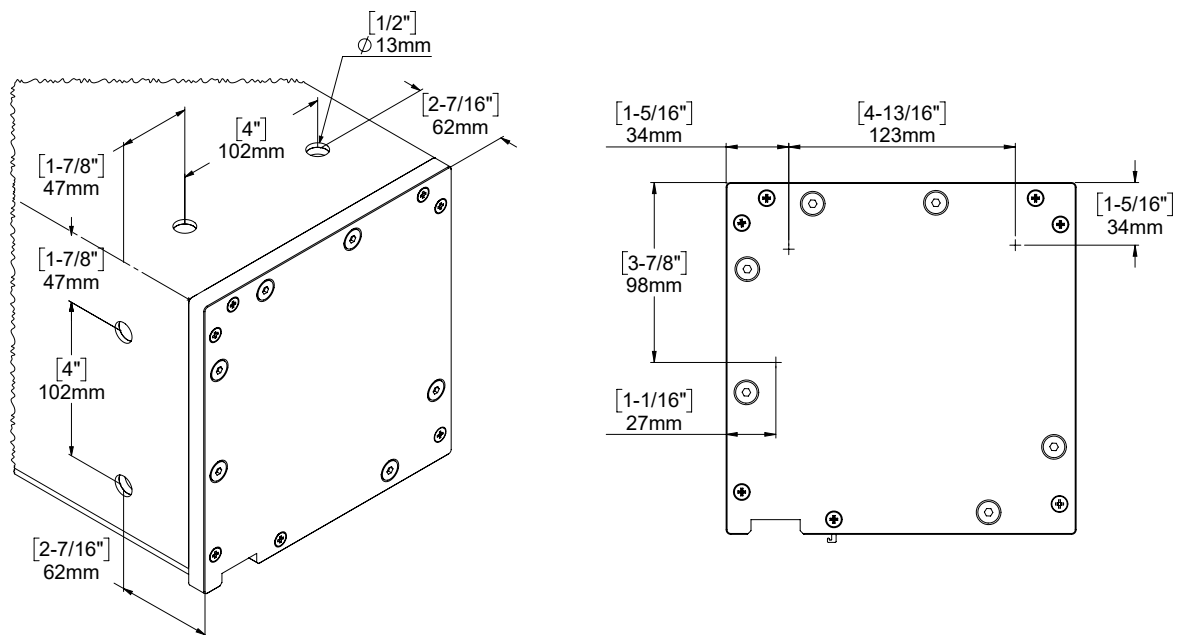
BOX 190



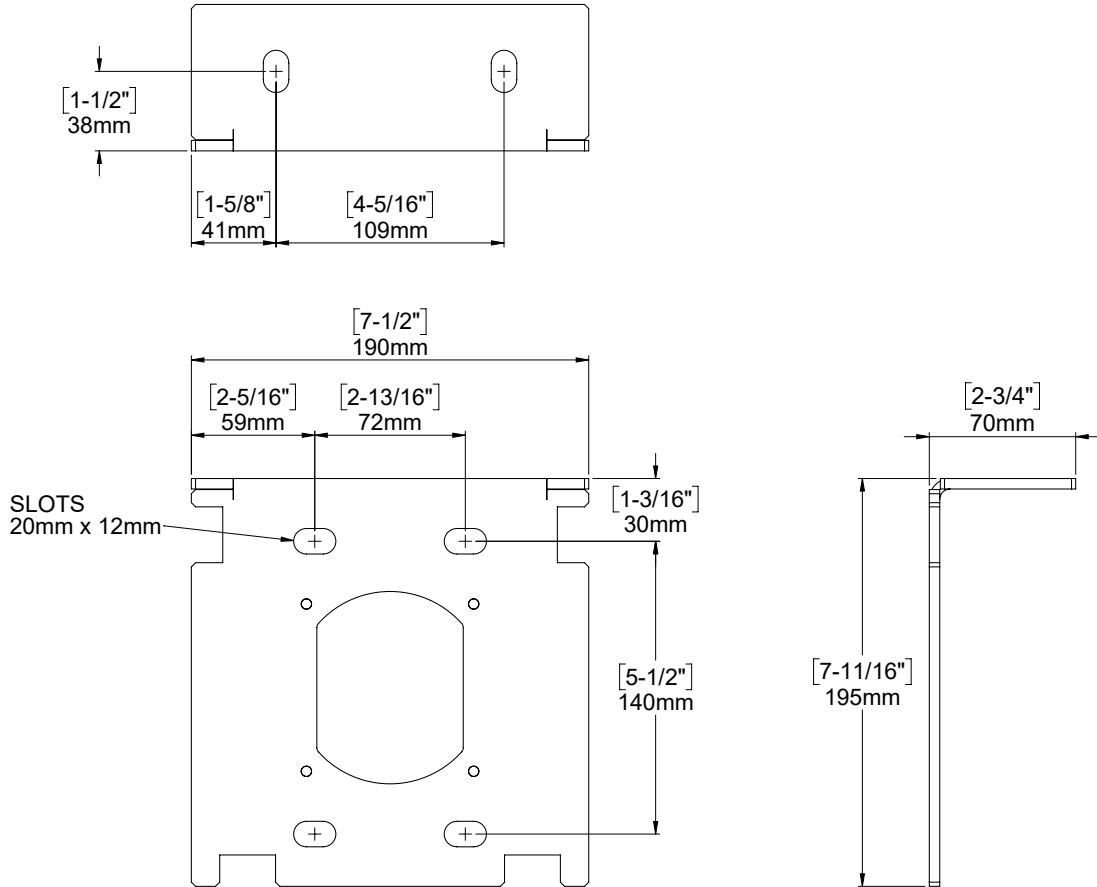
**BRACKET DIMENSIONS | OPEN BRACKETS**



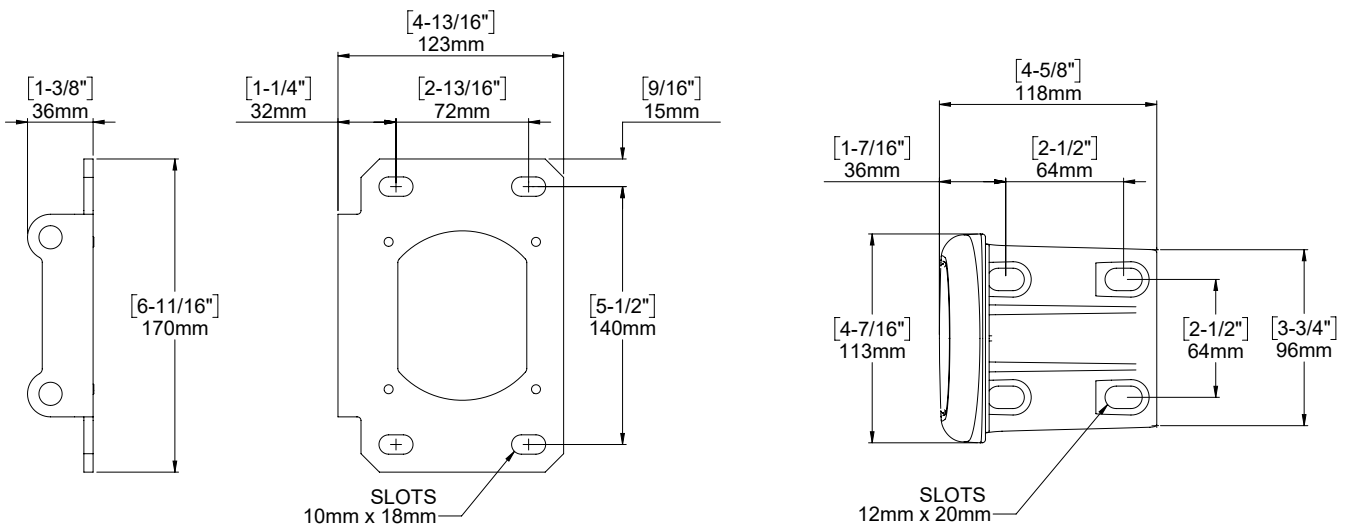
**BRACKET DIMENSIONS | BOX 190**



**BRACKET DIMENSIONS | OPEN BRACKETS | ZIPSCREEN | EXTREME**

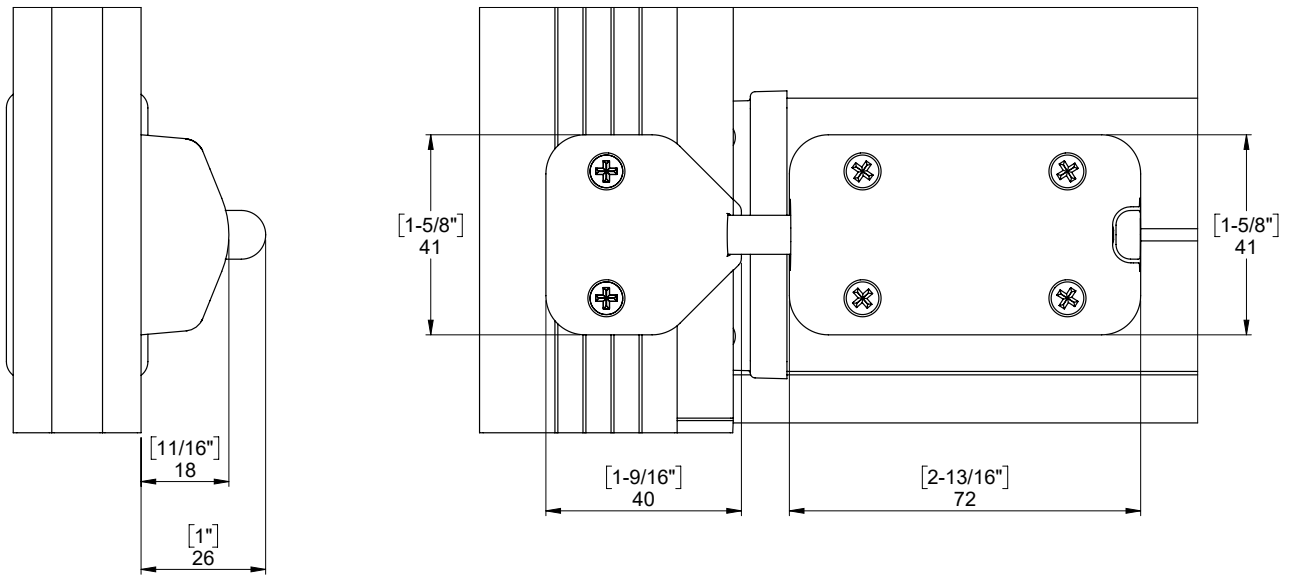


**BRACKET DIMENSIONS | OPEN BRACKETS | WIRE GUIDE**

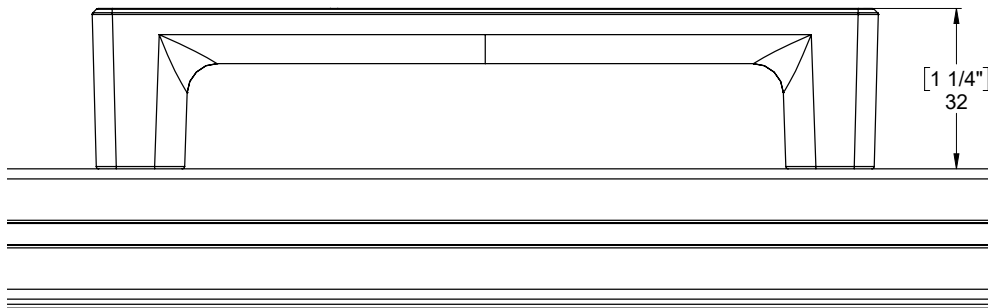


**WEIGHT BAR ACCESSORIES**

**BOLT LOCK - DIMENSIONS**



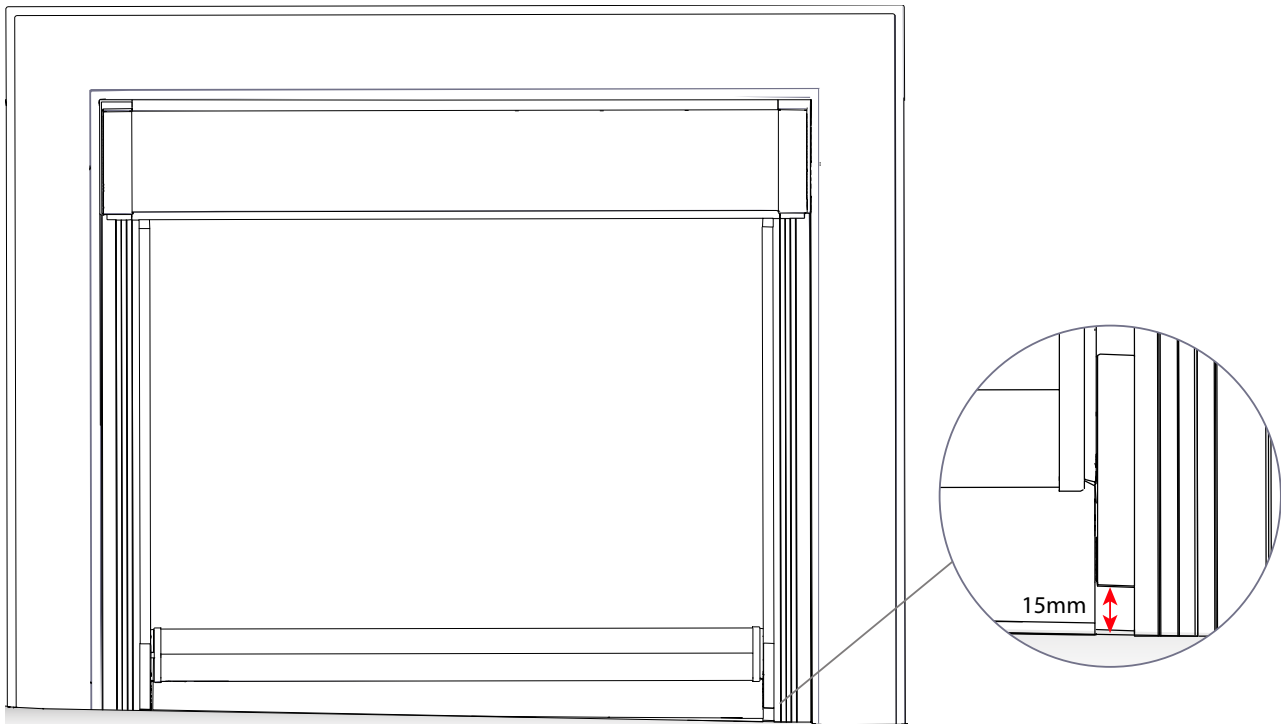
**WEIGHT BAR HANDLE - DIMENSIONS**



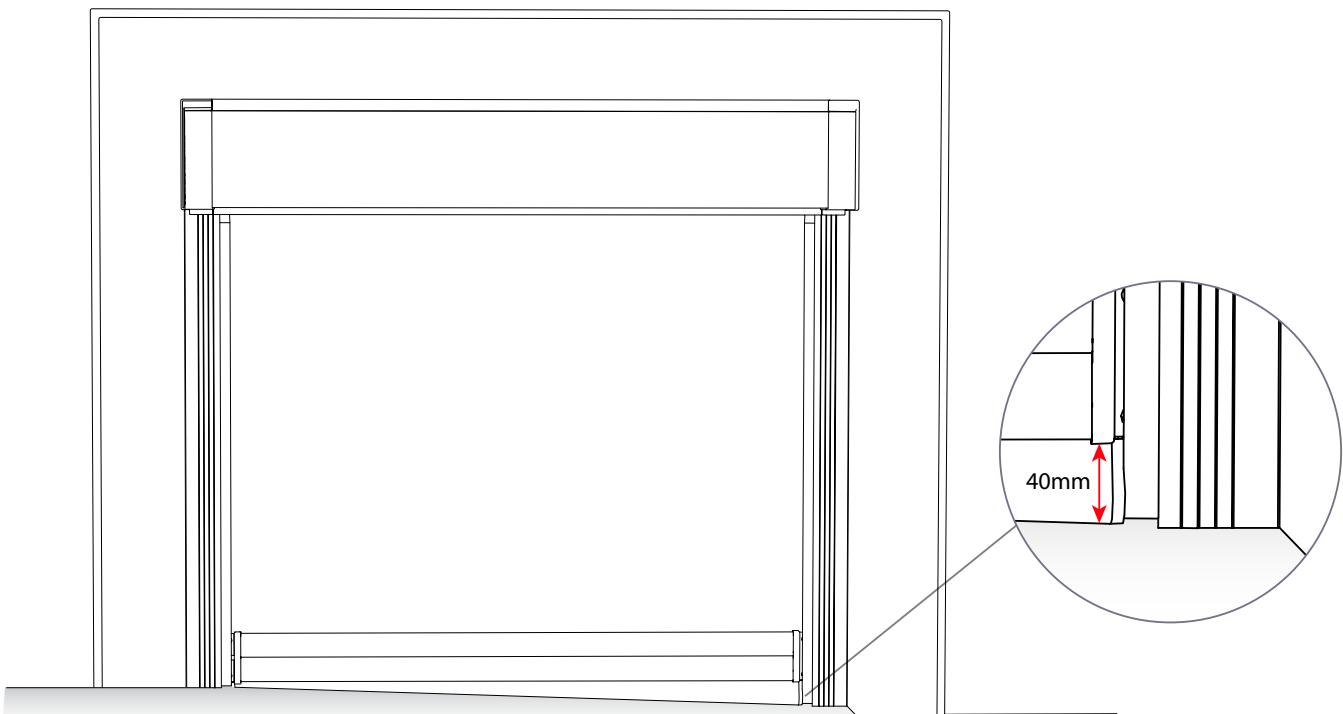
WEIGHT BAR HANDLE HEIGHT			
Metal	SB07-2202-xxx001	1-1/4"	32mm
Plastic	SB07-2203-050001	1-1/4"	32mm

**ZIPSCREEN WITH ULTRA LOCK SEAL**

ZIPSCREEN WITH ULTRA



ZIPSCREEN WITHOUT ULTRA LOCK



## SECTION B | DOCUMENT CHANGE NOTES

REVISION	CHANGES
v1.1   February 2024	Removed channel guide.
v1.2   August 2024	Added Box 160 hardware.