

**SS38 ROMAN SHADE - CHAIN & MOTORIZED CONTROL**

The SS38 Roman Shade System offer an elegant square profile, housing operating mechanisms designed for efficient and smooth operation.

**AESTHETICAL FEATURES**

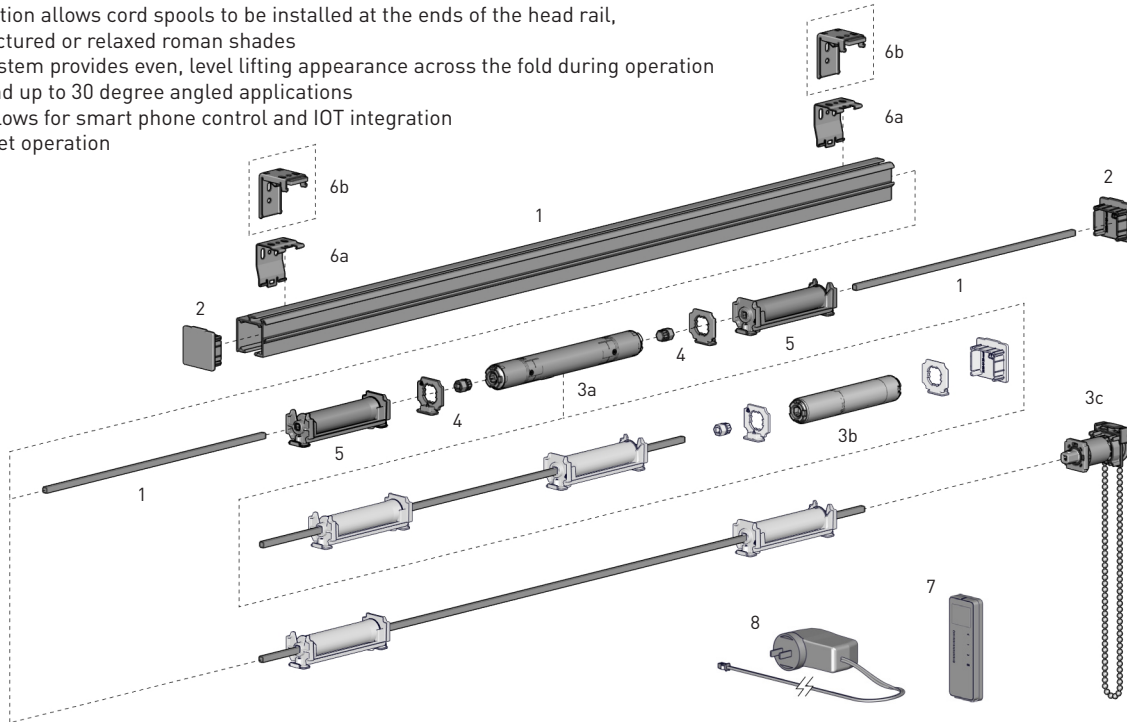
- Contemporary slimline aluminium profile
- End covers for a neat overall finish

**PRODUCTION & ASSEMBLY FEATURES**

- Low profile non obtrusive mounting clips
- Optional spline or hook and loop touch tape fabric attachment
- Effortless installation

**FUNCTIONAL BENEFITS**

- CL 0.8 motor option allows cord spools to be installed at the ends of the head rail, ideal for unstructured or relaxed roman shades
- Guided spool system provides even, level lifting appearance across the fold during operation
- Straight drop and up to 30 degree angled applications
- ARC protocol allows for smart phone control and IOT integration
- Smooth and quiet operation



**SYSTEM INDEX**

1	SS38 Head Rail [incl. crimp tape + rod] SS38-0130-xxx580
2	SS38 Head Rail End Cap SS38-0120-xxx040
	Cord Lift Motor
3a	MT01-3001-069001 - CL 0.8 Cord Lift Motor GLOBAL
3b	MTDCRF-CL-0.6-50 - CL 0.6 Cord Lift Motor US ONLY
	SS38 Drive Unit
3c	SS38-0420-069051 - Planetary Drive SS38-0411-069051 - Direct Drive
4	Cord Lift Motor Adapter Kit MTAD-CLHRSS38KT
5	SS38 Spool cone SS38-8341-580451 - Standard Spool SS38-8331-050069 - Slim Spool
	SS38 Mounting Clip/Bracket
6a	SS38-0212-xxx034 - Low Profile GLOBAL
6b	SS38-0232-069030 - Spring loaded AU, EU ONLY
7	Remotes & Switches [see catalog for options]
8	Power Solutions & Extension Cables [see catalog for options]

xxx= colour

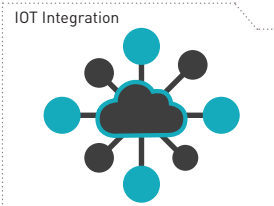
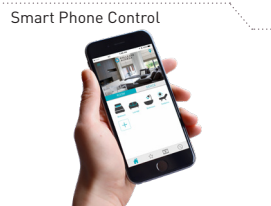
**CONTROL OPTIONS**



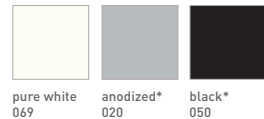
**CHAIN OPTIONS**



**MOTOR OPTIONS**



**COLOUR RANGE**



\*NOT AVAILABLE IN US

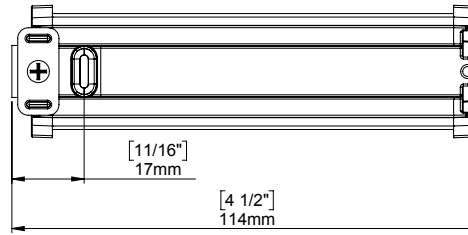


**SPECIFICATIONS**

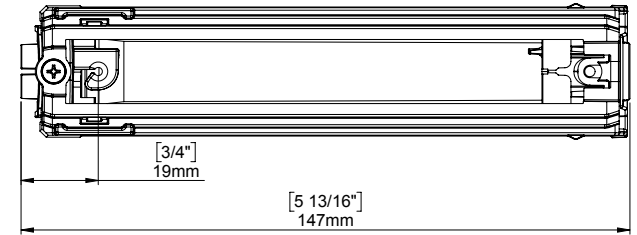
**MAX LIFT WEIGHT**

	STANDARD	SLIM
<b>0.8 Nm Motor</b>	5.3 kg [11.7 lbs]	7.2 kg [15.9 lbs]
<b>0.6 Nm Motor</b>	3.4 kg [7.5 lbs]	4.6 kg [10.1 lbs]
<b>Direct Chain</b>	1.9 kg [4.2 lbs]	2.7 kg [6.0 lbs]
<b>Planetary Chain</b>	5.9 kg [13.0 lbs]	7.4 kg [16.3 lbs]

**SPOOL OPTIONS**



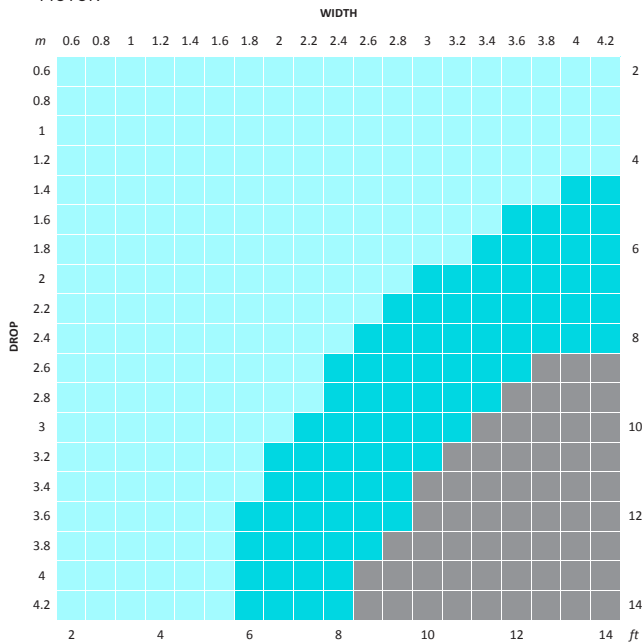
STANDARD SPOOL



SLIM SPOOL

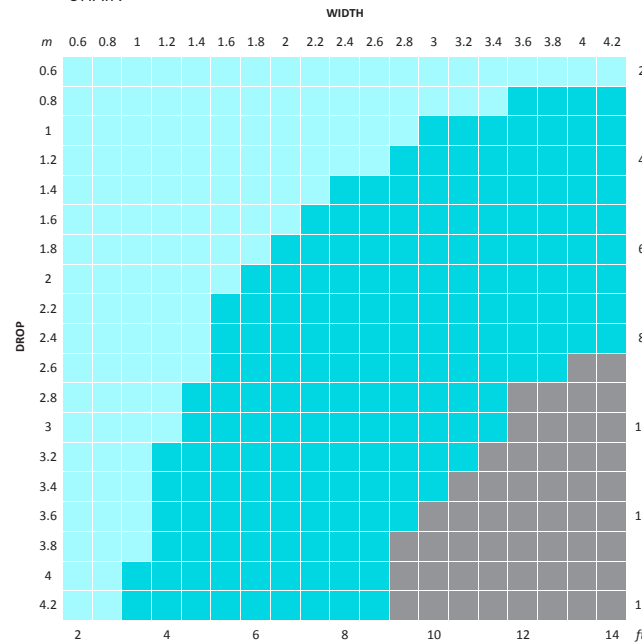
**SYSTEM CAPACITY**

**MOTOR**



LEGEND	DESCRIPTION
	0.6 Nm Motor
	0.8 Nm Motor
	CANNOT BE ACHIEVED - OUTSIDE PRODUCT SPECIFICATIONS

**CHAIN**

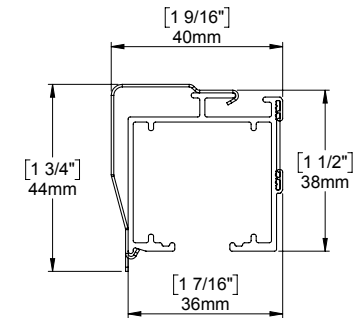


LEGEND	DESCRIPTION
	Direct Drive
	Planetary Drive
	CANNOT BE ACHIEVED - OUTSIDE PRODUCT SPECIFICATIONS

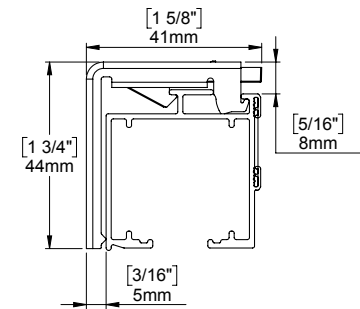
**NOTE:** For detailed breakdown & further details, see SS38 Product Specification Manual

**DIMENSIONS**

**LOW PROFILE MOUNTING CLIP**



**SPRING LOADED MOUNTING BRACKET\***



\*NOT AVAILABLE IN US