

**RR20 Roller Roman Motorized System**

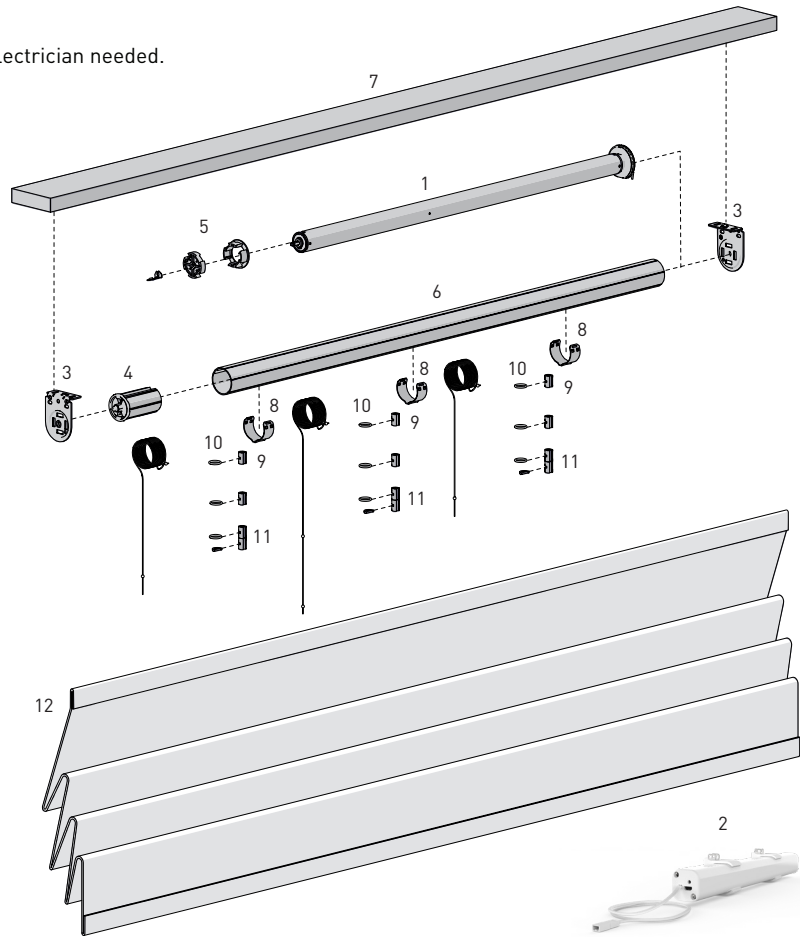
The RR20 Roller Roman Shade System offers an elegant profile that's designed for efficient and smooth operation. The RR20 can be used with a wireless Lithium Ion or DC powered solution.

**PRODUCTION & ASSEMBLY FEATURES**

- Fits on a standard 2.5" wide dust board.
- Lithium Ion motors will operate shade 500 times on a single charge. No electrician needed.
- Easy-to-program 15 Channel and Wall Switch Remotes available.

**FUNCTIONAL BENEFITS**

- System can hold up to 20 lbs.
- Maximum shade size of 96" W x 108" H.
- Automate technology allows integration with the Pulse 2 App or Apple Home Kit, Google Assistant, Alexa, Savant, Control 4, and a variety of other home automation systems.



**SYSTEM INDEX**

1	Automate Motor   28mm MT01-1328-069001 - 5V Zero Li-Ion Motor [28mm/2.0Nm/20RPM] - min. 30" shades
2	Battery Pack MT03-0305-069003 - 5V Rechargeable Battery Pack 2600MAH
3	Brackets SL01-0306-069040 - Skyline LX Bracket
4	Pin End SLPEHD53W - Skyline HD Pin End 1.5"
5	Crown & Drive Kit MT03-0110-069002 - Kit for 1½" Tube
6	Aluminum Tube RTEA4U92IN - 1.50" Tube, 92" length
7	Dust Board (Not Supplied) 1" T x 3" W (Actual size is 0.75" T x 2.5" W)
8	Roller Roman Tube Clip RRTC15 - 1.5"
9	Safety Ring Lock STSRL
10	Forever Ring STFSR
11	Ring Lock   Level Lock Insert STSLILP
12	Fabric (Not Supplied)
Optional HD82-2800-025001 - Motor Retainer Screw	
"ADDITIONAL MOTOR OPTIONS"	
Automate DC Motor MT01-1228-069002 - 12V DC Zero Arc Motor [28mm/2.0Nm/20RPM] - min. 21.5" shades MTDCPS-28-35-45 - Power Supply	

**CONTROL OPTIONS**

<p>REMOTES</p>	<p>WALL SWITCH</p>	<p>SMART HOME</p>	<p>PULSE</p>	<p>ELECTRIC</p>	<p>SOLAR</p>	<p>SUN SENSOR</p>
----------------	--------------------	-------------------	--------------	-----------------	--------------	-------------------

**CHARGERS**

**OPTIONS**

**COLOR RANGE**

