

RR20 Roller Roman Clutch System

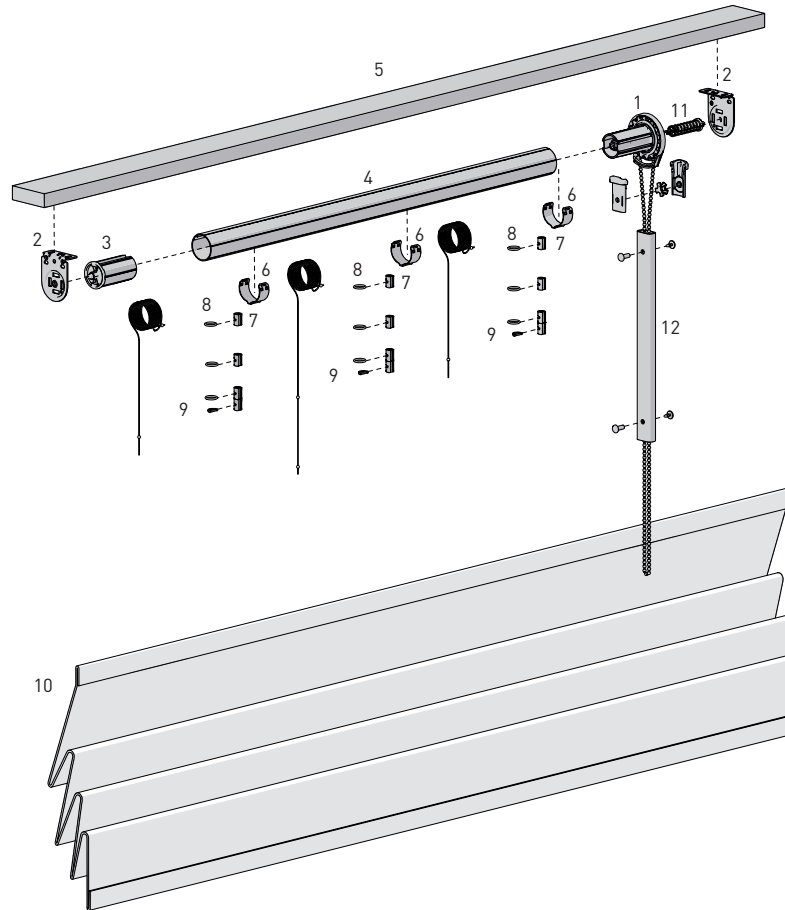
The RR20 Roller Roman Shade System offers an elegant profile that's designed for efficient and smooth operation.

PRODUCTION & ASSEMBLY FEATURES

- Fits on a standard 2.5" wide dust board.
- Can be used with Chain Shield; no need to attach chain to wall.
- Chain Shield can be tucked in fabric fold.

FUNCTIONAL BENEFITS

- System can hold up to 20 lbs.
- Maximum shade size of 96" W x 108" H.

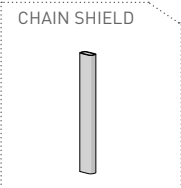


SYSTEM INDEX

| | |
|----|--|
| 1 | Clutch SL20H53xx - SL20 Clutch |
| 2 | Brackets SL01-0306-069040 - Skyline LX Bracket |
| 3 | Pin End SLPEHD53W - Skyline HD Pin End 1.5" |
| 4 | Aluminum Tube RTEA4U92IN - 1.50" Tube, 92" length |
| 5 | Dust Board (Not Supplied) 1"T x 3"W (Actual size is 0.75"T x 2.5" W) |
| 6 | Roller Roman Tube Clip RRTC15 - 1.5" |
| 7 | Safety Ring Lock STSRL |
| 8 | Forever Ring STSFR |
| 9 | Ring Lock Level Lock Insert STSLILP |
| 10 | Fabric (Not Supplied) |
| 11 | Retaining Spear (optional) RE0030420 |
| 12 | Chain Shield RB91-1346-001020 - 8" Chain Shield for 24" chain loop RB91-1346-001051 - 20" Chain Shield for 36" chain loop RB91-1346-001081 - 32" Chain Shield for 48" chain loop RB91-1346-001112 - 44" Chain Shield for 60" chain loop RB91-1346-001001 - Chain Shield Funnel RB91-1346-060002 - Chain Shield Wheel RB91-1346-001003 - Chain Shield Binding Post Set |

For measuring chain length on Chain Shield
TM91-1346-000002 - Chain Shield Spacing Jig

PRODUCT OPTIONS



SYSTEM UPGRADE

COLOR RANGE



pure white
069