

## RR20 Roller Roman Clutch System

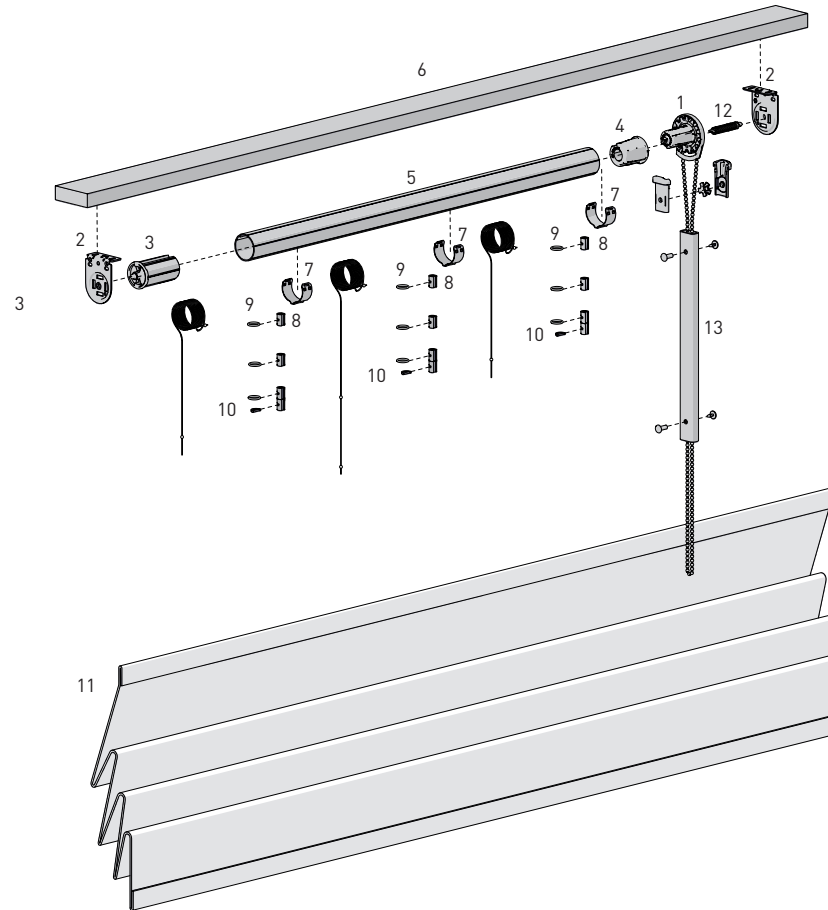
The RR20 Roller Roman Shade System offers an elegant profile that's designed for efficient and smooth operation.

### PRODUCTION & ASSEMBLY FEATURES

- Fits on a standard 2.5" wide dust board.
- Can be used with Chain Shield; no need to attach chain to wall.
- Chain Shield can be tucked in fabric fold.

### FUNCTIONAL BENEFITS

- System can hold up to 20 lbs.
- Maximum shade size of 96" W x 108" H.



## SYSTEM INDEX

1	Clutch SL15H01W - SL15 Clutch
2	Brackets SL01-0306-069040 - Skyline LX Bracket
3	Pin End SLPEHD53W - Skyline HD Pin End 1.5"
4	Adaptor SLA53xx - Skyline adaptor for 1.5" Tube
5	Aluminum Tube RTEA4U92IN - 1.50" Tube, 92" length
6	Dust Board (Not Supplied) 1" T x 3" W (Actual size is 0.75" T x 2.5" W)
7	Roller Roman Tube Clip RRTC15 - 1.5"
8	Safety Ring Lock ST SRL
9	Forever Ring ST SFR
10	Ring Lock   Level Lock Insert ST SLLILP
11	Fabric (Not Supplied)
12	Retaining Spear (optional) RE0030420
13	Chain Shield RB91-1346-001020 - 8" Chain Shield for 24" chain loop RB91-1346-001051 - 20" Chain Shield for 36" chain loop RB91-1346-001081 - 32" Chain Shield for 48" chain loop RB91-1346-001112 - 44" Chain Shield for 60" chain loop RB91-1346-001001 - Chain Shield Funnel RB91-1346-060002 - Chain Shield Wheel RB91-1346-001003 - Chain Shield Binding Post Set
	For measuring chain length on Chain Shield TM91-1346-000002 - Chain Shield Spacing Jig

### PRODUCT OPTIONS

RETAINING SPEAR



CHAIN SHIELD



### SYSTEM UPGRADE

MOTOR



### COLOR RANGE



pure white  
069