

RR10 Roller Roman Clutch System

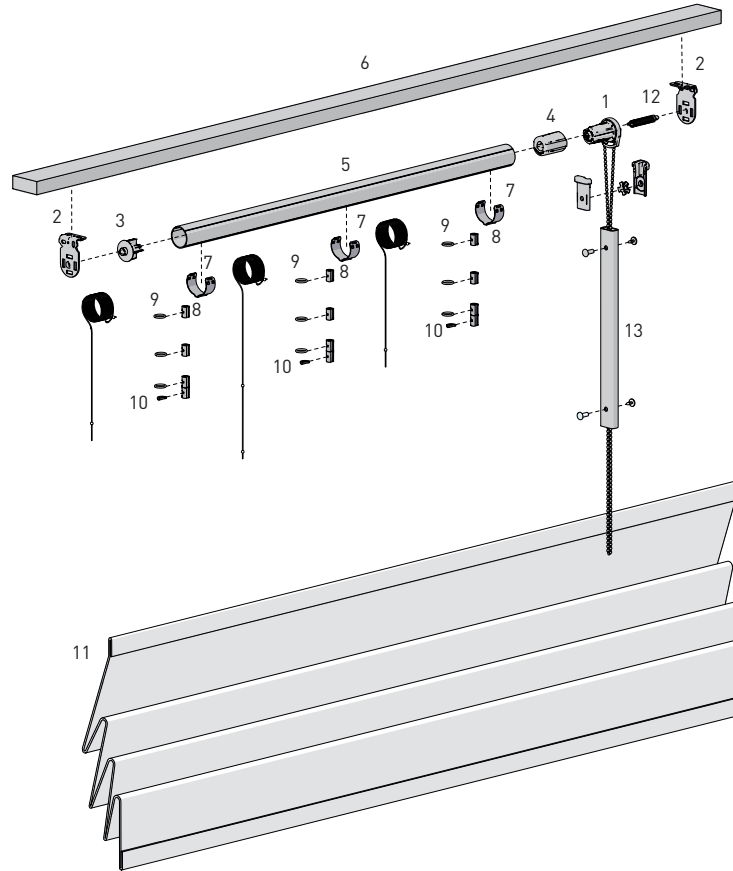
The RR10 Roller Roman Shade System offers an elegant profile that's designed for efficient and smooth operation.

PRODUCTION & ASSEMBLY FEATURES

- Fits on a standard 1.5" wide dust board for narrow window openings.
- Can be used with Chain Shield; no need to attach chain to wall.
- Chain Shield can be tucked in fabric fold.

FUNCTIONAL BENEFITS

- System can hold up to 10 lbs.
- Maximum shade size of 72" W x 72" H.

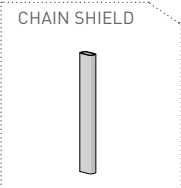
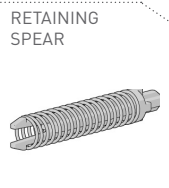


SYSTEM INDEX

1	Clutch SL5H01W4 - SL5 Clutch with 4 springs
2	Brackets SLNB660W - Skyline Narrow Bracket
3	Pin End SLPEV03W - Skyline 1.25"
4	Adaptor SLA03W - Skyline adaptor for 1.25" Tube
5	Aluminum Tube RTEA3U92IN - 1.25" Tube, 92" length
6	Dust Board (Not Supplied) 1" T x 2" W (Actual size: 0.75" T x 1.5" W) for 1.25" Tube
7	Roller Roman Tube Clip RRTC125 - 1.25"
8	Safety Ring Lock STSRL
9	Forever Ring STSFR
10	Ring Lock Level Lock Insert STSLILP
11	Fabric (Not supplied)
12	Retaining Spear (optional) RE0030420
13	Chain Shield RB91-1346-001020 - 8" Chain Shield for 24" chain loop RB91-1346-001051 - 20" Chain Shield for 36" chain loop RB91-1346-001081 - 32" Chain Shield for 48" chain loop RB91-1346-001112 - 44" Chain Shield for 60" chain loop RB91-1346-001001 - Chain Shield Funnel RB91-1346-060002 - Chain Shield Wheel RB91-1346-001003 - Chain Shield Binding Post Set

For measuring chain length on chain shield
TM91-1346-000002 - Chain Shield Spacing Jig

PRODUCT OPTIONS



SYSTEM UPGRADE

COLOR RANGE



pure white
069