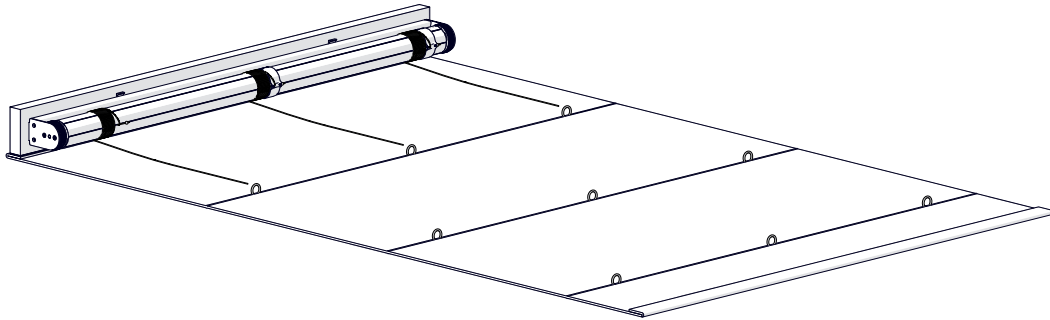


## CHILD SAFETY LOCK

### ATTACH FOREVER RINGS

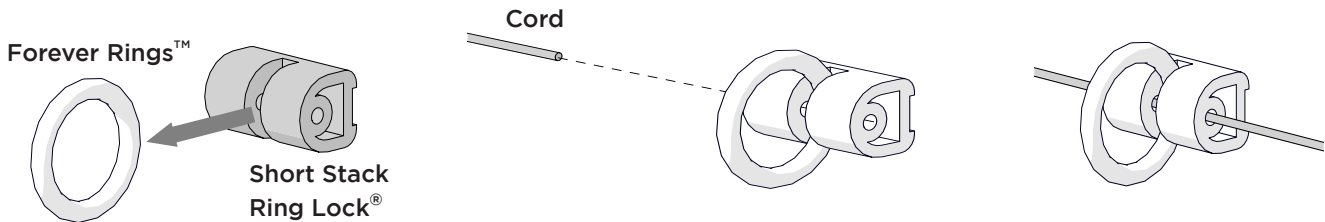
Attach Forever Rings™ to the inside of the shade fabric as shown. Space the ring evenly in vertical columns with the number of columns determined by the weight of the shade. Ring spacing should not exceed 8 inches for 1.4mm cord and 6 inches for 0.9mm cord.

**Note: The rings seen below are sewn to the fabric BEFORE the fabric is attached to the headrail. The column placement is decided when sewing the panel. The spools are adjusted to meet the columns.**



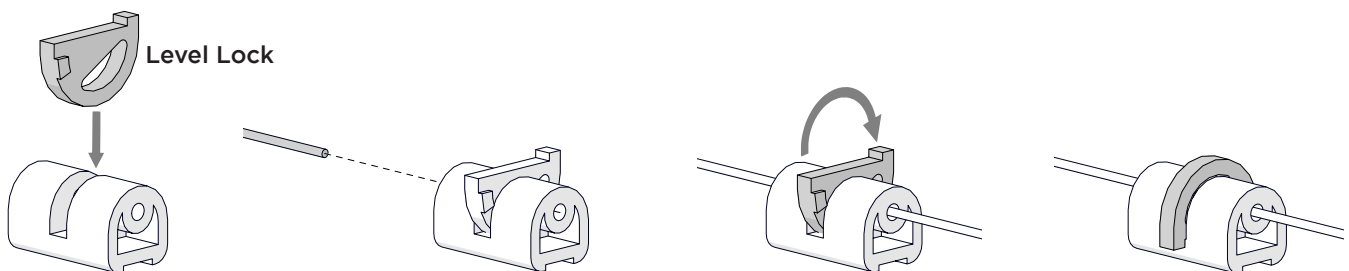
### ATTACH SHORT STACK RING LOCKS® TO FOREVER RINGS™

Starting at the top of the shade, place a Short Stack Ring Lock® over a top Forever Rings™. Thread the cord through the holes in the Short Stack Ring Lock® and the Forever Rings™. Repeat with each of the remaining rings in the column and the remaining columns.



### ATTACH A LEVEL LOCK® AT THE BOTTOM OF THE COLUMNS

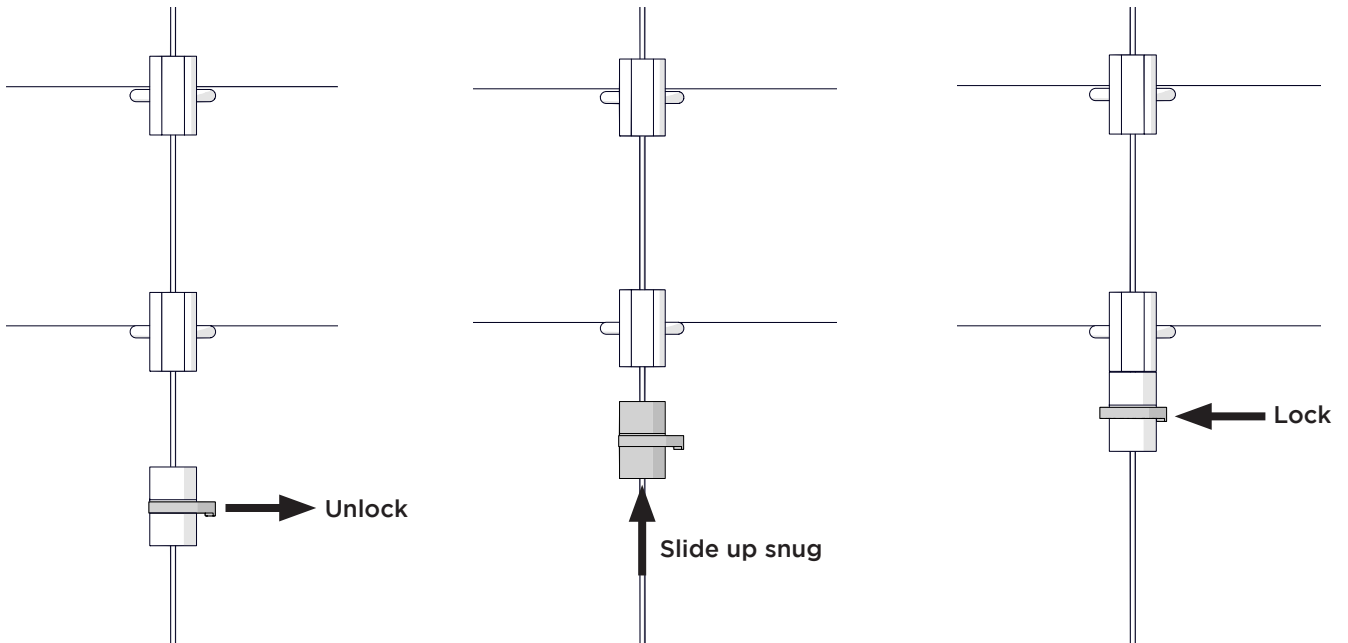
Insert the Level Lock, straight edge up, into the slot in the Ring Lock. Thread the free end of the cord through both Ring Lock and Level Lock. Rotate the Level Lock insert so the flat side is down and slide to one side until you hear a **CLICK**. The Level Lock Set is now locked.



## CHILD SAFETY LOCK

### LEVEL THE SHADE

With the shade mounted on the window, pull it up to its closed position, and hold the shade bottom level. Adjust each Level Lock by sliding its insert back, adjusting its height and relocking.



### TIE KNOTS AT THE CORD ENDS

With the Level Locks holding the shade up in a level closed position, tie a stopper knot below each of the Level Lock Sets. Trim the excess cord.

**Note: ONLY AFTER a Level lock (as seen here) is added do we knot the cord.**

