

VEUE SUITE

Rollease Acmeda offers a comprehensive outdoor shading suite with Veue Drop Awnings. The Veue suite comprises Wire Guide, Channel Guide, Straight Drop and Pivot Arm systems. Veue is also cross-compatible with the popular Zipscreen.

**AESTHETIC FEATURES**

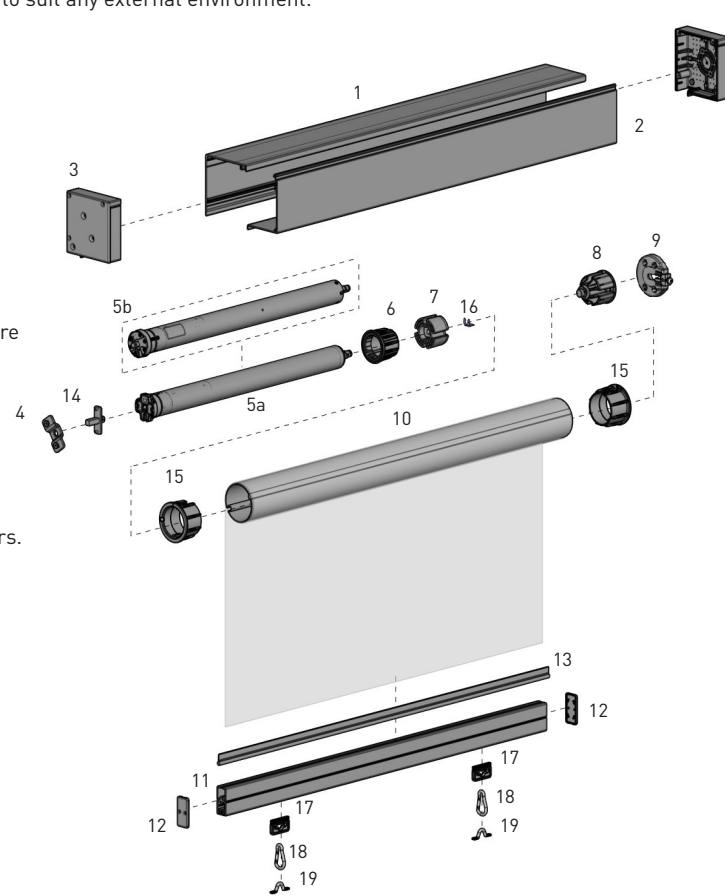
- Maintains consistent aesthetic across 4 solutions to suit a variety of applications.
- Wide range of standard colours and ability to custom powder-coat extrusions to suit any external environment.
- Choice of open or enclosed roller.
- Sleek and contemporary square cassette box.
- Clean, architectural look.

**ASSEMBLY / INSTALLATION BENEFITS**

- One piece weight bar in standard and heavy weights for easier assembly.
- Two piece cassette box for easy installation.
- Choice of 63 & 78 aluminium and steel tubes.
- One reducer, a combined booster and pre tension idler means less inventory.
- End plates overlap the edges of the front and back covers to hide cutting imperfections.
- Hinges are located on the end plates for easy headbox installation.
- Veue Drop Awnings are modular. Utilise common components across the entire suite, including Zipscreen

**FUNCTIONAL BENEFITS**

- A semi-fascia is now available, in addition to a fully-enclosed box or open bracket solution offering multiple headbox configurations.
- Exterior grade powder coated finish.
- The stronger F56 weight bar offers more rigidity over wider spans.
- Choice of weight bar bubble or weather seal strip to close gap on uneven floors.
- An all-inclusive end plate set means that cover caps are no longer required. The universal end plate set comes with a pre-notched section that can be 'snapped-off' to accommodate all control options.



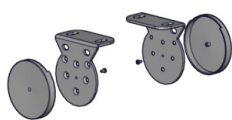
SYSTEM INDEX - VEUE STRAIGHT DROP

1	Box 120 Back RE01-0101-xxx580
2	Box 120 Cover RE01-0102-xxx580 - FULL RE01-0103-xxx580 - Semi
3	Box 120 End Plate Set RE01-1101-xxx120
4	M50 Motor Bracket + Screws - Universal Motors RE01-0601-025000
5	Automate FT Electronic Limit Motor a. MT01-1145-06900X - US b. MT01-1145-050001 - AU
6	Automate Crown Wheel/Somfy RE01-0663-050518
7	Automate Drive Wheel 78mm RE01-0680-050518 - IMPACT DETECTION RE01-0679-050508 - NO IMPACT DETECTION
8	Bearing Idler RE01-0203-050063
9	Idler/Spring Adaptor + Screws RE01-0214-050000
10	Tube SEE TUBE SPECS ON REVERSE
11	F56 Weight Bar RE15-0101-000580
12	F56 Weight Bar End Cap Set SEE SYSTEM ASSEMBLY MANUAL
13	7.2mm Spline w/15mm Tail SB91-0408-001015
14	Automate I 10mm Square Shaft + Screws I SLIM Motor RE01-0603-025000 - US ONLY
15	Tube Adaptor I 78mm RE01-0701-xxx078
16	Automate I Drive Wheel CLIP for FT Motor MTCLIP-35-45 - US ONLY
17	25mm Straight Drop Loop RE91-1102-050025
18	Straight Drop Spring Clip - 50mm RE91-1103-009050
19	Straight Drop Pad Eye Saddle - 30mm RE91-1104-013030

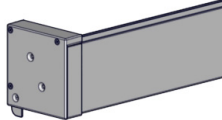
xxx= colour

SYSTEM OPTIONS

OPEN BRACKETS

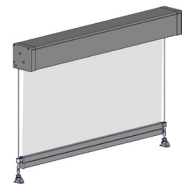


FASCIA

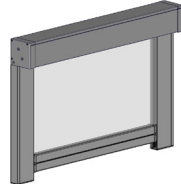


SYSTEM UPGRADES

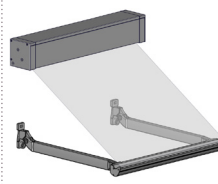
WIRE GUIDE\*



CHANNEL\*



PIVOT ARM\*



CONTROL OPTIONS

MOTORIZED



CRANK GEAR



SPRING



COLOUR RANGE

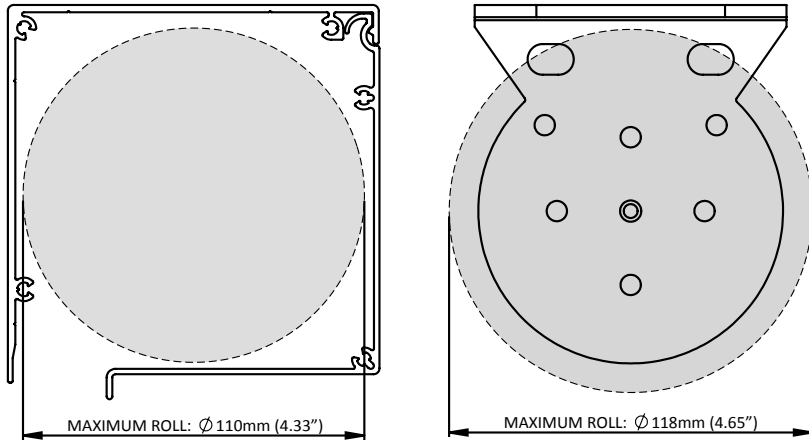
pure white 069	black 050	anodized 020	US ONLY bronze 080	paperbark 425
		AU ONLY		
woodland grey 352	classic cream 295			



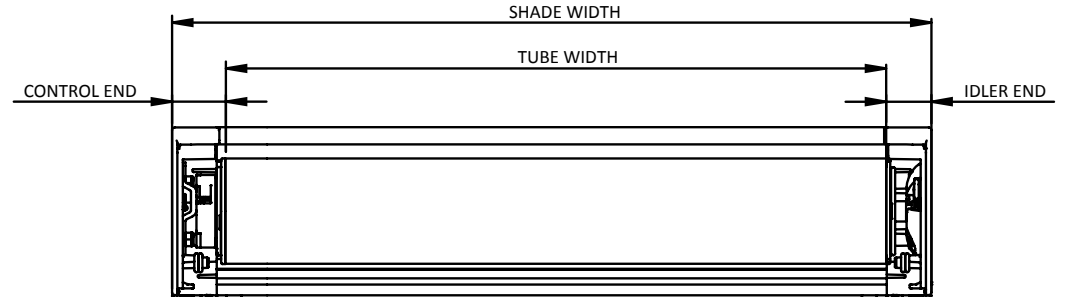
\*SEE SYSTEM ASSEMBLY MANUAL FOR DETAILED SYSTEM INDEX

SPECIFICATIONS

MAX ROLL



DEDUCTION



OVERALL DEDUCTION	
BOX	66mm [2.6"]
OPEN	80mm [3.15"]*

\*For Face Fix Installations without covers take 18mm [0.71"] off.

SYSTEM CAPACITY

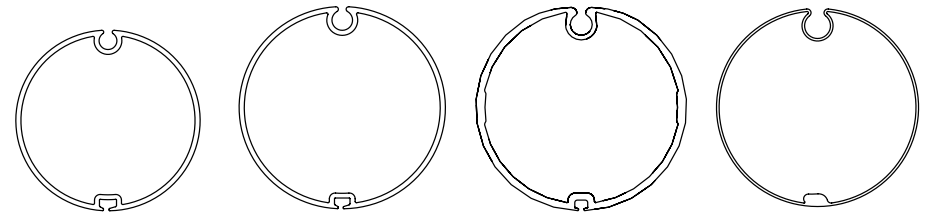
DROP		WIDTH																ft	
		3	4	5	6	7	8	9	10	11	12	13	14	15	16	17			
ft	m	0.75	1.00	1.25	1.50	1.75	2.00	2.25	2.50	2.75	3.00	3.25	3.50	3.75	4.00	4.25	4.50	4.75	5.00
3	0.75																		
4	1.00																		
5	1.25																		
6	1.50																		
7	1.75																		
8	2.00																		
9	2.25																		
10	2.50																		
11	2.75																		
12	3.00																		
13	3.25																		
14	3.50																		
15	3.75																		
16	4.00																		

Parameters: 573gsm [19.36 oz/yd<sup>2</sup>] Fabric, F56 HD External

CONTROL	TUBE
SPRING   GEAR   MOTOR	63 STD Aluminium Tube
	78 STD Aluminium Tube
	78 HD Aluminium Tube
Outside Product Specifications	

SPRING - Minimum Shade Width = 0.8m (3ft) || GEAR - Minimum Shade Width = 0.5m (2ft) || MOTOR - Minimum Shade Width = 0.8m (3ft)

TUBE SPECS



**ALUMINUM TUBE 63mm**  
Code: RE01-0363-000580  
OD: 63mm [2.56"]  
Length: 5.8m [19ft]

**ALUMINUM TUBE STD 78mm**  
Code: RE01-0378-000580  
OD: 80mm [3.15"]  
Length: 5.8m [19ft]

**ALUMINUM TUBE HD 78mm**  
Code: RE01-0379-000600  
OD: 81.4mm [3.21"]  
Length: 6m [20ft]

**STEEL TUBE 78mm**  
Code: AW92-0901-000LLL  
OD: 78mm [3.07"]  
Length: 5m [16ft], 7m [23ft]