

Skyline 10.0Nm Li-ion | 45mm | 12V

The motorized Skyline roller shade system offers a range of six Automate motors with three tube diameters to suit a variety of applications. Featuring ARC (Automate Radio Communication), the 45mm Skyline Automate system provides an intelligent, Li-ion battery or a DC powered solution.

**AESTHETIC FEATURES**

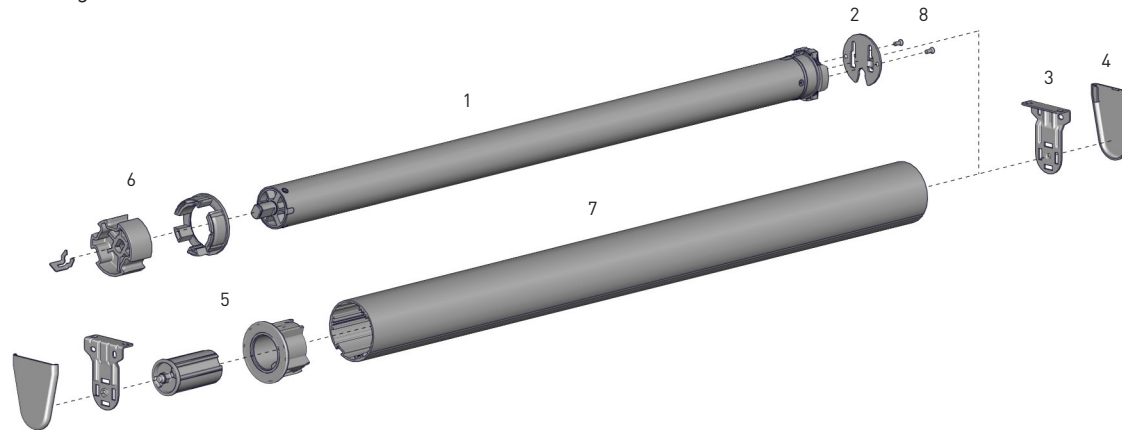
- Slim motor head for minimal light gap

**ASSEMBLY / PRODUCTION FEATURES**

- Greater flexibility with installation with spring loaded pin end
- Crown, drive and adaptors available to suit variety of tube sizes

**FUNCTIONAL BENEFITS**

- Leveling control
- Simple limit setting and adjustment
- Favorite position
- 3 operational speed settings
- 2-way RF communication
- ARC protocol for simple programming

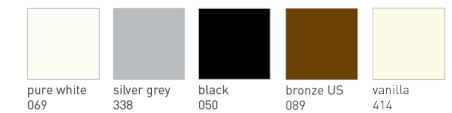


**SYSTEM INDEX**

1	Automate Motor   45mm MTDCBRFQ45-3 - Li-ion Q3.0 MTDCBRFQ45-10 - Li-ion Q10 MTDCRFQ45-3 - DCRF Q3.0 MTDCRFQ45-10 - DCRF Q10 MTACRF45-10 - ACRF Q10 MTACRF-45-15 - ACRF Q15
2	Motor Adaptor MTAD-45-SL
3	Brackets SLB###x SLNB###x
4	Bracket Covers SLBC###x SLNBC###x
5	Pin End & Adaptor SLPEHD53xx + RA2xx
6	Crown & Drive Kit MTCRDR-45-2 - Kit for 2" Tube MTCRDR-45-2.5 - Kit for 2½" Tube MTCRDR-45-3.25 - Kit for 3¼" Tube
7	Aluminum Tube RTEASW5T## - 2" Smooth Tube RTEA6T## - 2½" Tube RTEA7T## - 3¼" Tube
8	Screw for Adaptor SLAMSCREW

# - Size  
xxx= Color

**COLOR RANGE**



**CONTROL OPTIONS**

<p>REMOTES</p>	<p>WALL SWITCH</p>	<p>SMART HOME</p>	<p>PULSE</p>	<p>ELECTRIC</p>	<p>SOLAR</p>	<p>SUN SENSOR</p>
----------------	--------------------	-------------------	--------------	-----------------	--------------	-------------------

**CHARGERS**

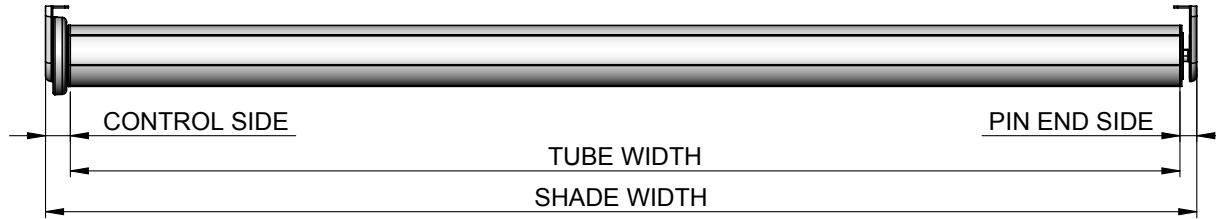
**PRODUCT OPTIONS**

**SYSTEM UPGRADES**

- CASSETTE 80/100/120
- FASCIA 3"/4"/5"
- LINK SYSTEM
- POCKETS 3"/4"/5"/6"

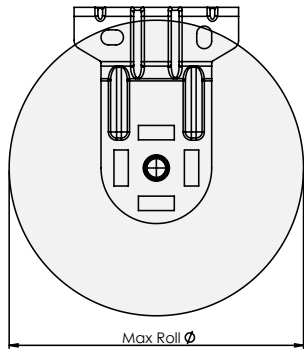
**SPECIFICATIONS**

**DEDUCTION CHART**



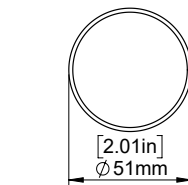
MOTOR	TUBE	BRACKETS	LIGHT GAP			MINIMUM SHADE WIDTH	
			CONTROL END	PIN END	OVERALL		
MTDCBRFQ45-3 MTDCBRFQ45-10 MTDCRFQ45-3 MTDCRFQ45-10 MTACQRF45-10 MTACRF45-15	2"	With Covers	0.91" [23mm]	0.59" [15mm]	1.50" [38mm]	MTDCBRFQ45-3	3.21' [0.950m]
		No Covers	0.83" [21mm]	0.55" [14mm]	1.38" [35mm]	MTDCBRFQ45-10	3.21' [0.950m]
	2½"	With Covers	0.83" [21mm]	0.59" [15mm]	1.42" [36mm]	MTDCRFQ45-3	2.79' [0.850m]
		No Covers	0.75" [19mm]	0.55" [14mm]	1.30" [33mm]	MTDCRFQ45-10	2.79' [0.850m]
	¾"	With Covers	0.87" [22mm]	0.59" [15mm]	1.46" [37mm]	MTACQRF45-10	2.95' [0.900m]
		No Covers	0.79" [20mm]	0.55" [14mm]	1.30" [34mm]	MTACRF45-15	2.62' [0.800m]

**MAX ROLL**



BRACKET	MAX ROLL SIZE
SLNBxx650xx	2-3/8" [59mm]
SLxx660xx	3" [76mm]
SLxx680xx	4" [102mm]
SLxx690xx	5" [128mm]

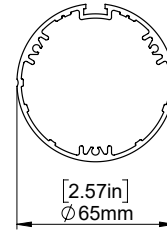
**TUBE SPECS.**



2" Smooth Tube

Code: RTEASW5T14 (with tape)

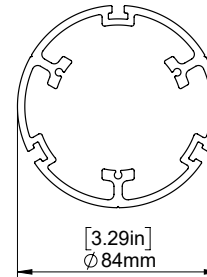
Length 14' [4.27m]



2½" Tube

Code: RTEA6T16 (with tape)  
RTEA6U16

Length 16' [4.88m]



¾" Tube

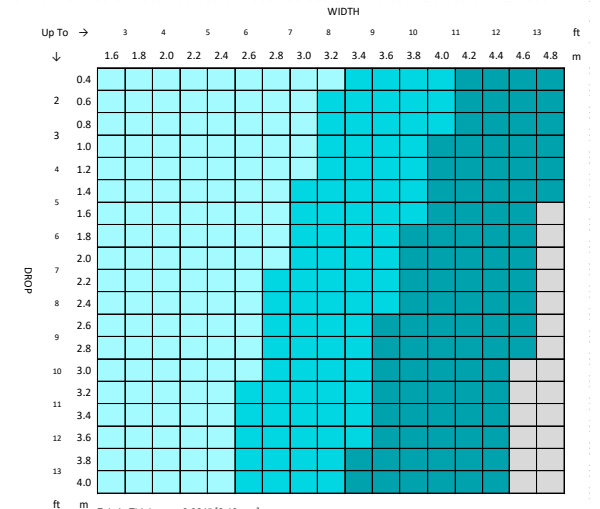
Code: RTEA7T16 (with tape)

Length 16' [4.88m]

2" TUBE		2½" TUBE		¾" TUBE	
@ WIDTH	MAX DROP	@ WIDTH	MAX DROP	@ WIDTH	MAX DROP
9.8' [3.00m]	3.9' [1.20m]*	13.1' [4.00m]	2.6' [0.80m]*	15.8' [4.80m]	4.6' [1.40m]*
7.9' [2.40m]	13.1' [4.00m]*	10.5' [3.20m]	13.1' [4.00m]*	14.4' [4.40m]	13.1' [4.00m]*

\* Recommended Max Drop. Exceeding this value may cause fabric tracking issues

**SYSTEM CAPACITY**



Fabric Thickness: 0.024" [0.60mm]  
Fabric Density: 12.39oz/yd<sup>2</sup> [420gsm]  
Weight Bar: D30 Silent Medium Aluminium Bottom Rail

CONTROL	TUBE	OUTSIDE SPECIFICATION
45mm Motor	RTEAST# - 2.0"	
	RETAG# - 2.5"	
	RTEA7T# - 3.25"	