

**Skyline Automate | 35mm**

The motorized Skyline roller shade system offers a range of four Automate motors with one tube diameter to suit a variety of applications. Featuring ARC (Automate Radio Communication), the 35mm Skyline Automate system provides an intelligent, Li-ion battery or a DC powered solution.

**AESTHETIC FEATURES**

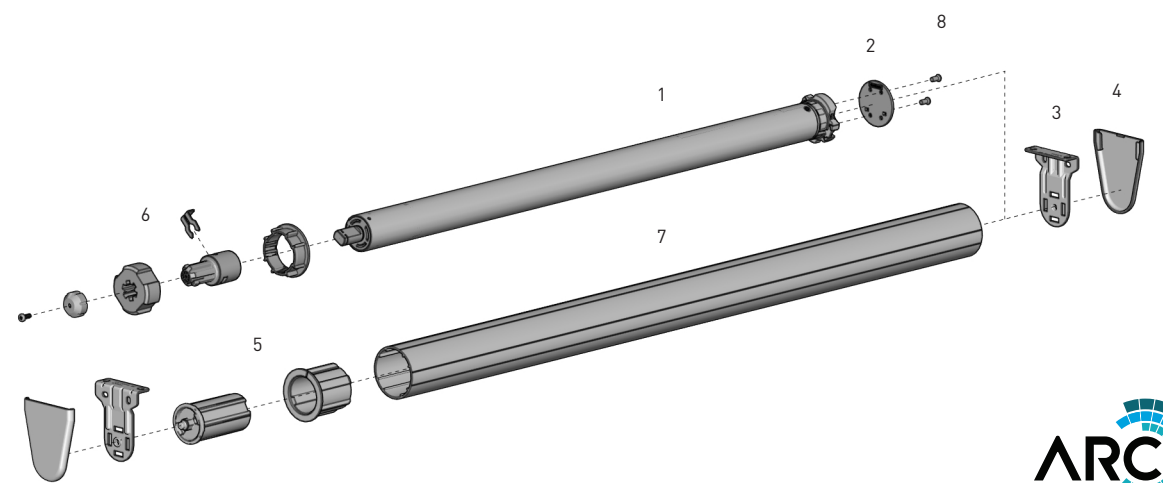
- Slim motor head for minimal light gap

**ASSEMBLY / PRODUCTION FEATURES**

- Greater flexibility with installation with spring loaded pin end
- Crown, drive and adapters available to suit variety of applications

**FUNCTIONAL BENEFITS**

- Leveling control
- Simple limit setting and adjustment
- Favorite position
- 3 operational speed settings
- 2-way RF communication
- ARC protocol for simple programming



**SYSTEM INDEX**

- Automate Motor | 28mm
  - MTDCBRF35-3 - Li-ion Q3.0
  - MTDCRF35-3 - DCRF 3.0
  - MTACRF35-6 - ACRF 6
  - MTACQRF35-6 - ACRF Q6
- Motor Adapter  
MTAD-252835-SL
- Brackets  
SLB###x  
SLNB###x
- Bracket Covers  
SLBC###x  
SLNBC###x
- Pin End & Adapter  
SLPEHD53XX + RA2xx
- Crown and Drive Kit  
MTCRDR-28-2 - Kit for 2" tube
- Aluminium Tube  
RTEA5T## - 2" tube
- Screws for Adapter  
SLAMSCREW

# - Size  
xxx- Color

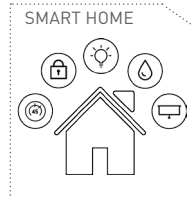
**PRODUCT OPTIONS**



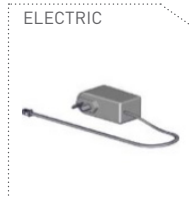
**SYSTEM UPGRADES**

- CASSETTE 80/100/120
- FASCIA 3"/4"/5"
- LINK SYSTEM
- POCKETS 3"/4"/5"/6"

**CONTROL OPTIONS**

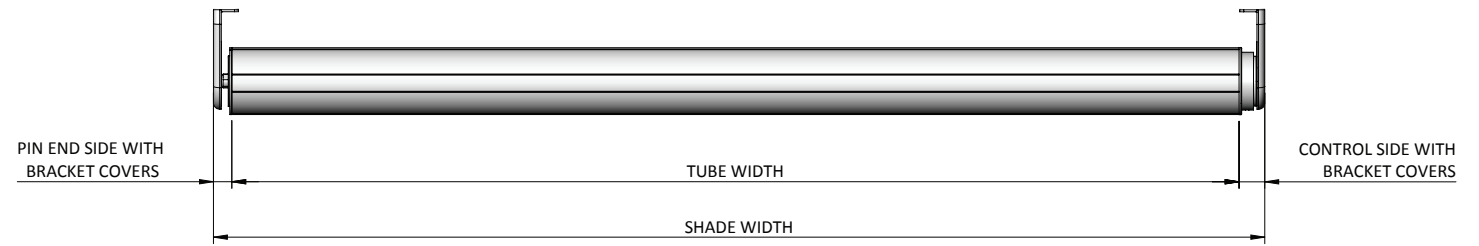


**CHARGERS**



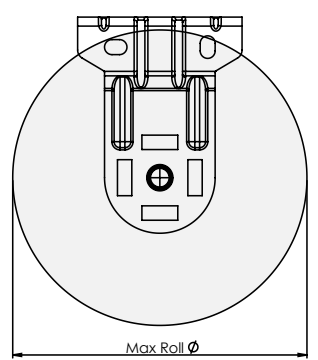
**SPECIFICATIONS**

**DEDUCTION CHART**



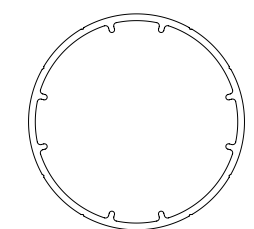
MOTOR	BRACKETS	PIN END	CONTROL SIDE	OVERALL DEDUCTION
MTDCBRF35-3 MTDCRF35-3 MTACRF35-6 MTACQRF35-6	With Bracket Covers	0.55" [14mm]	0.79" [20mm]	1.34" [34mm]
	No Bracket Covers	0.51" [13mm]	0.75" [19mm]	1.26" [32mm]

**MAX ROLL**



BRACKET	MAX ROLL SIZE
SLxx650xx	2.35" [59.0mm]
SLxx660xx	3" [76.2mm]
SLxx680xx	4" [101.6mm]
SLxx690xx	5" [127.5mm]

**TUBE SPECS**

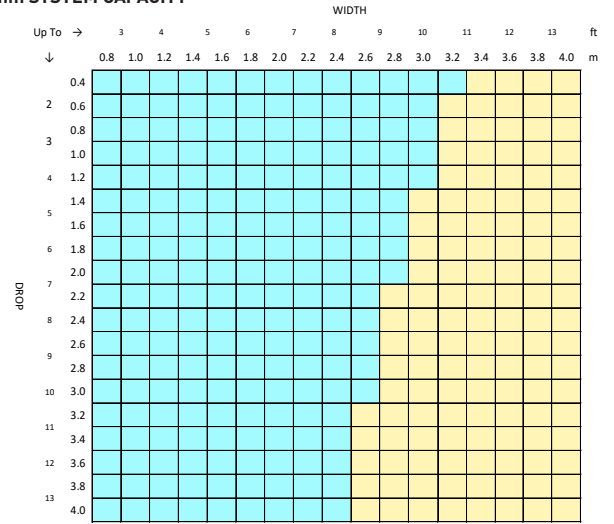


2.0" Tube  
Code: RTEA5T12 (with tape)  
RTEA5U12  
RTEA5T16 (with tape)  
RTEA5U16  
OD: 2.0" [51mm]  
Length: 12', 16' [3.66m, 4.88m]

MAX DROP
2.0" TUBE
4.59' [1.40m]**
13.12' [4.00m]*

\* Recommended Max Drop. Exceeding this value may cause fabric tracking issues  
\*\* SLxx650xx ONLY

**35mm SYSTEM CAPACITY**



Fabric Thickness: 0.024" [0.60mm]  
Fabric Density: 12.9oz/yd<sup>2</sup> [429gsm]  
Weight Bar: D30 Silent Medium Aluminium Bottom Rail  
ACRF Q6 MIN. WIDTH 0.7m (2.30')  
ACRF 6 MIN. WIDTH 0.73m (2.40')  
DCRF 3.0 MIN. WIDTH 0.6m (2.00')  
Li-ion Q3.0 MIN. WIDTH 0.8m (2.60')

CONTROL	TUBE	LINK SYSTEM
35mm Tube	RTEA5T## - 2.0"	

