

Skyline 2.0Nm | 28mm

The motorized 28mm 2.0Nm Skyline roller shade system offers multiple tubes to suit a variety of applications. Featuring ARC (Automate Radio Communication), the 28mm 2.0Nm Skyline system provides an intelligent Li-ion battery powered solution.

**AESTHETICAL FEATURES**

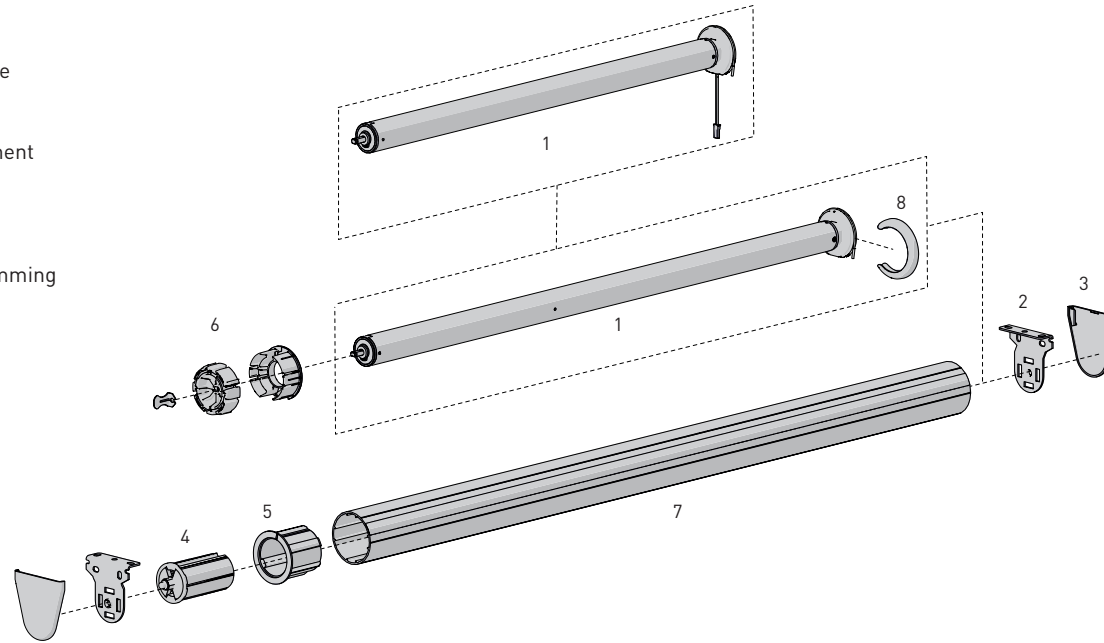
- Thinner Motor Head
- Motor cap to color match with brackets

**PRODUCTION & ASSEMBLY FEATURES**

- Smaller Motor end deduction
- Greater flexibility during installation with spring loaded pin end
- Crown, drive and adaptors available to suit variety of tube sizes

**FUNCTIONAL BENEFITS**

- 5V Micro USB Charging
- Antennae Wire Retention Feature
- Levelling control
- Simple limit setting and adjustment
- Favorite position
- 3 operational speed settings
- ARC protocol for simple programming
- 2-WAY RF communication



**SYSTEM INDEX**

1	Automate Motor   28mm MT01-1228-069002 - DCRF 2Nm 28rpm 12V ZERO MT01-1328-069008-CT - Li-ion 2Nm 28rpm 5V ZERO
2	Brackets SLB###x - Skyline Bracket SLNB###x - Skyline Narrow Bracket SL01-0306-xxx040 - Skyline LX Bracket - 40mm pitch SL01-0306-xxx055 - Skyline LX Bracket - 55mm pitch
3	Bracket Covers SLBC###x - Skyline Bracket Cover SLNBC###x - Skyline Narrow Bracket Cover RB08-4151-xxx040 - Skyline LX Bracket Cover - 40mm RB08-4151-xxx055 - Skyline LX Bracket Cover - 55mm
4	Pin End SLPEHD53xx
5	Adaptor RA2xx - for 2" Tube
6	Crown & Drive Kit MT03-0110-069002 - Kit for 1½" Tube MT03-0111-050002 - Crown & Drive Set 28mm Motor in 2" Tube
7	Aluminum Tube RTEA4T## - 1½" Tube RTEA5T## - 2" Tube
8	Motor Cap MT03-0502-027001 - Chrome - Li-ion ZERO MT03-0502-034001 - Satin Nickel - Li-ion ZERO MT03-0502-043001 - Brass - Li-ion ZERO MT03-0502-059001 - Black - Li-ion ZERO MT03-0502-077001 - White - Li-ion ZERO MT03-0502-079001 - Antique Bronze - Li-ion ZERO MT03-0502-091001 - Gun Metal - Li-ion ZERO MTCAP-25-BK - Black - for DCRF MTCAP-25-W - White - for DCRF MTCAP-25-AB - Antique Bronze - for DCRF MTCAP-25-SN - Satin Nickel - for DCRF

# = Size | xxx = Color

**CONTROL OPTIONS**

REMOTES



WALL SWITCH



SMART HOME



PULSE



**CHARGERS**

ELECTRIC



SOLAR



**OPTIONS**

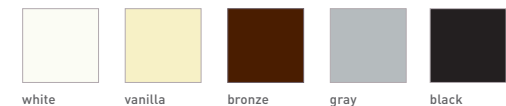
SUN SENSOR



**UPGRADES**

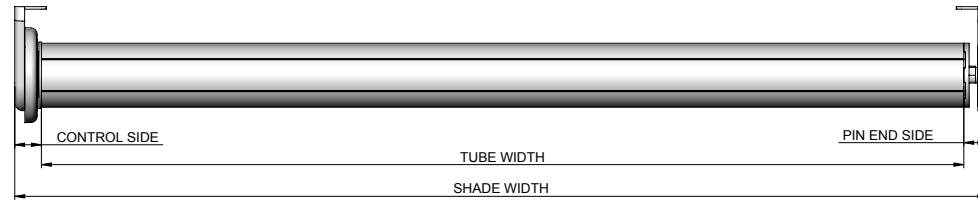
- CASSETTE 80/100/120
- FASCIA 3"/4"/5"
- LINK SYSTEM
- POCKETS 3"/4"/5"/6"

**COLOR RANGE**



**SPECIFICATIONS**

**DEDUCTION CHART**

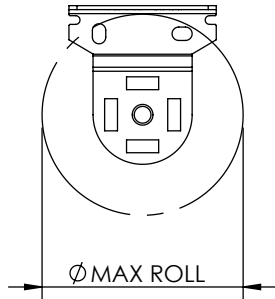


MINIMUM SHADE WIDTH		
TUBE	MOTOR	LENGTH
1½"	MT01-1228-069002	21-1/2" [546mm]
	MT01-1328-069008-CT	29-3/4" [756mm]
2"	MT01-1228-069002	21-5/16" [541mm]
	MT01-1328-069008-CT	29-3/4" [756mm]

MOTOR	TUBES	BRACKETS	DEDUCTIONS		
			CONTROL END	PIN END	TOTAL
MT01-1228-069002 MT01-1328-069008-CT	1-1/2"	With Covers	11/16" [17mm]	5/8" [16mm]	1-5/16" [33mm]*
		No Covers	9/16" [15mm]	9/16" [14mm]	1-1/8" [29mm]
	2"	With Covers	11/16" [17mm]	9/16" [15mm]	1-1/4" [32mm]
		No Covers	5/8" [16mm]	9/16" [14mm]	1-3/16" [30mm]

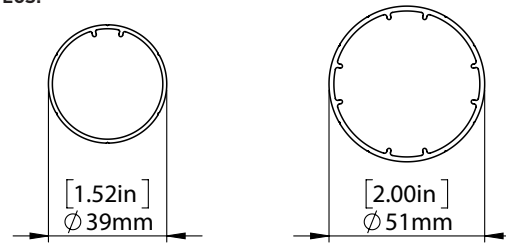
NOTES:  
\* DEDUCT 1MM FROM BRACKET COVERS TOTAL FOR LX SKYLINE BRACKET + COVERS VALUES.

**MAX ROLL**



BRACKET/SYSTEM	MAX ROLL SIZE
SLNBxx650xx	2-3/8" [59mm]
SLxx660xx	3" [76mm]
SLxx680xx	4" [102mm]
SL01-0306-xxx040	2-15/16" [74mm]
SL01-0306-xxx055	4-1/16" [103mm]

**TUBE SPECS.**



**1½" Tube**

Code: RTEA4T12 (with tape)  
RTEA4U12  
RTEA4T16 (with tape)  
RTEA4U16

Length 12',16'  
[3.66m, 4.88m]

**2" Tube**

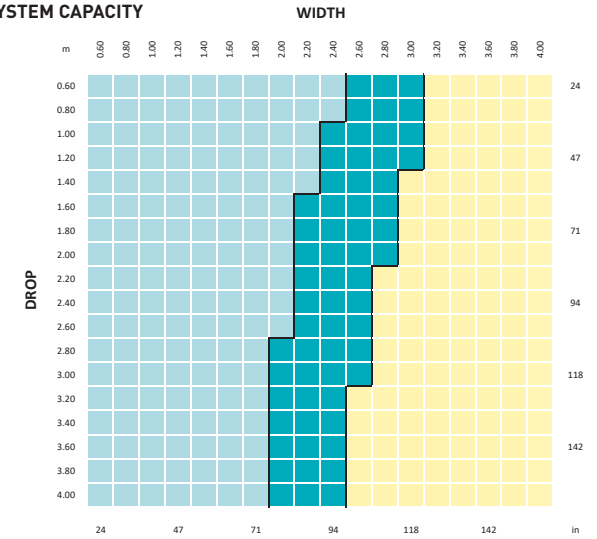
Code: RTEA5T12 (with tape)  
RTEA5U12  
RTEA5T16 (with tape)  
RTEA5U16

Length 12',16'  
[3.66m, 4.88m]

MOTORS	MAX LIFTING CAPACITY		MAX DROP*
	1-½" TUBE	2" TUBE	
2.0Nm	23.3lbs [10.6kg]	17.6lbs [8.0kg]	13.1' [4m]

\* Recommended Max Drop. Exceeding this value may cause fabric tracking issues

**SYSTEM CAPACITY**



**CONTROL**

1-1/2" TUBE | 2" TUBE

2" TUBE

LINKED SYSTEM

**PARAMETERS**

FABRIC DENSITY: 420gsm  
FABRIC THICKNESS: 0.6mm  
WEIGHT BAR: D30 Medium Bottom Rail  
CONTROL: 2.0Nm MOTORS