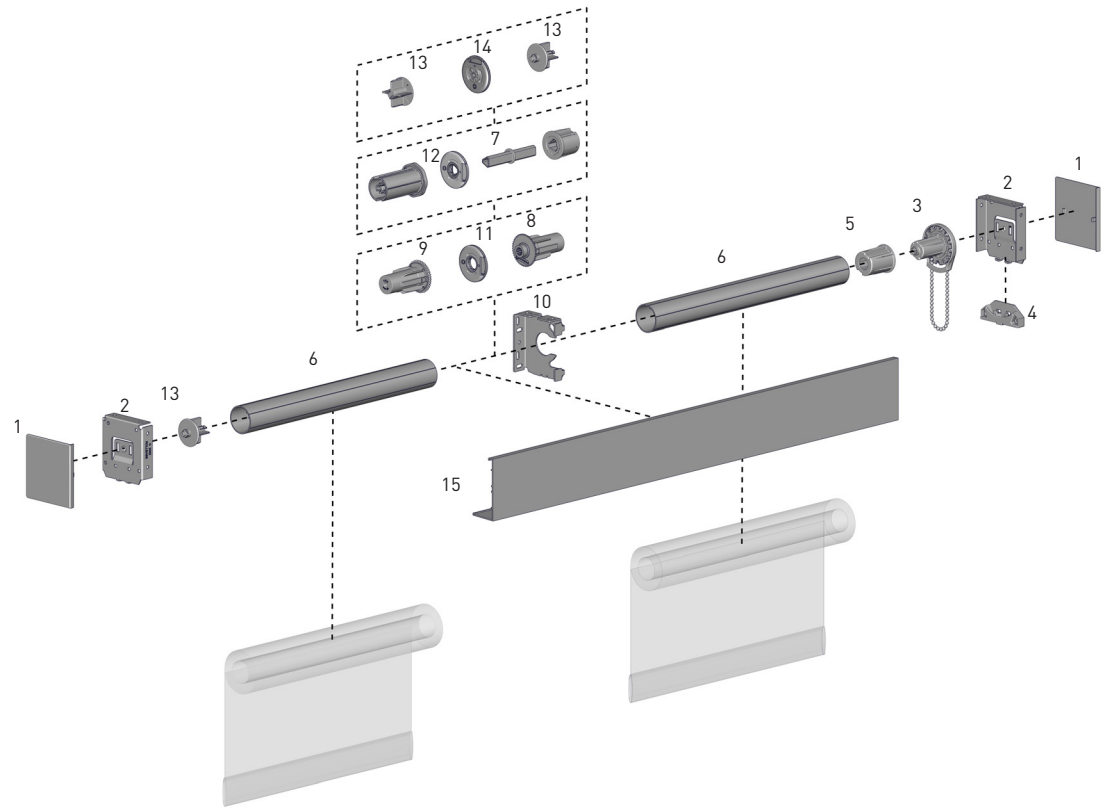


FASCIA 3" SKYLINE LINKED SYSTEM

The 3" Fascia offers a decorative cover which can be added to our popular roller systems, providing an elegant semi open fascia to hide top roller mechanisms. The link bracket enables using one motor for two different shades and to cover the shades with one nice continues fascia extrusion without seam between the shades. Sharing a control also means smaller costs per fascia system and simultaneous operation of two shades.

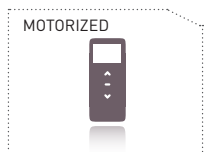
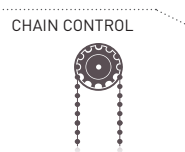


SYSTEM INDEX

- 1 3" SKYLINE SQUARE END CAP
SLSECxx
- 2 3" SKYLINE FASCIA BRACKET
SLFBKT3xx
- 3 CHAIN CONTROL
Refer to system Product Specifications Manual
- 4 SKYLINE CHAIN DIVERTER
Refer to system Product Specifications Manual
- 5 ADAPTER
SLA53xx
- 6 1.5" TUBE
RTEA4T16
- 7 INFINITE ADJUSTER KIT
LSADJITxx
- 8 MEDIUM EASY-LINK SYSTEM FEMALE DRIVE
RB41-1001-xxx038
- 9 MEDIUM EASY-LINK SYSTEM MALE DRIVE
RB41-1002-xxx038
- 10 3" SKYLINE FASCIA LINK BRACKET
RB41-0331-xxx075
- 11 MEDIUM EASY-LINK BRACKET BEARING
RB41-0502-xxx000
- 12 MEDIUM EASY-LINK BRACKET BEARING
BRACKET DISK + BEARING
RB41-0501-xxx000
- 13 SKYLINE PIN END | 38MM
SLPEV653xx
- 14 MEDIUM LINK DISC PIN TO PIN
RB41-0503-xxx000
- 15 SKYLINE SQUARE FASCIA
SLSFxx16

xxx = COLOUR, LLL = LENGTH

CONTROL OPTIONS



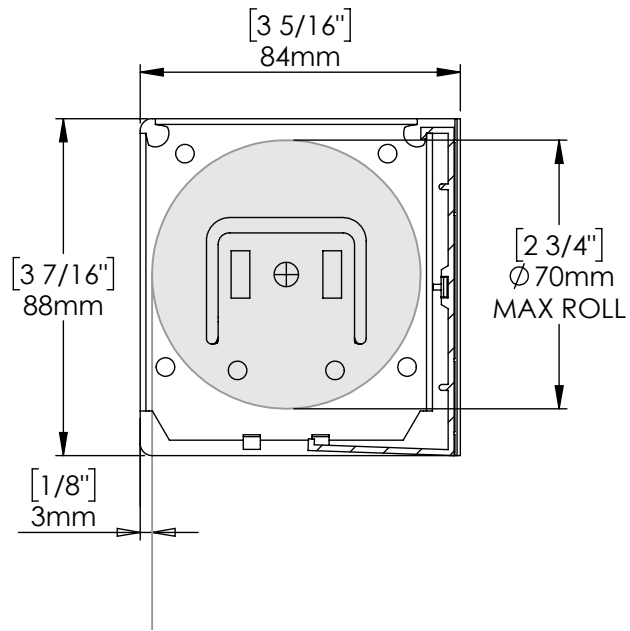
COLOUR RANGE



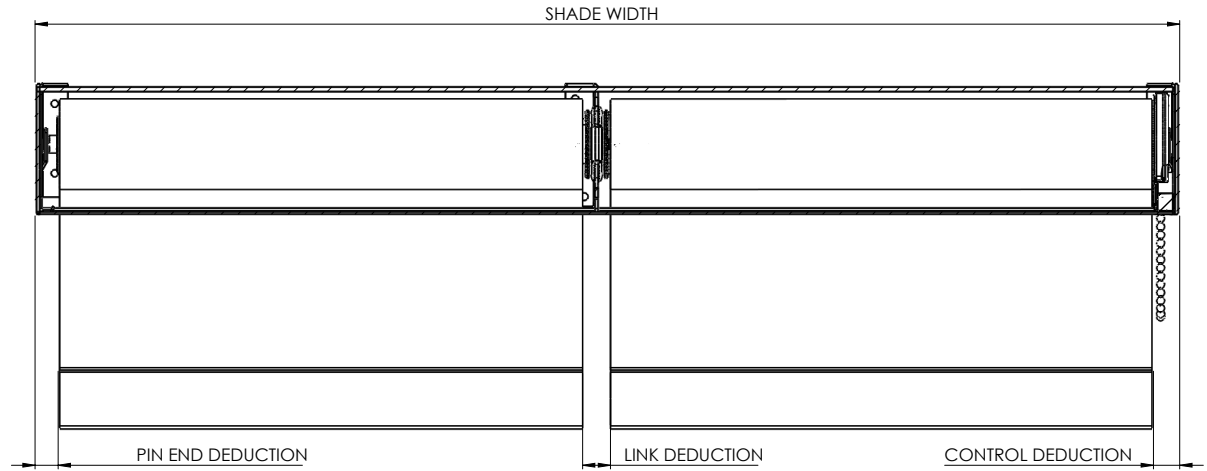
white vanilla anodized black bronze

SPECIFICATIONS

MAX ROLL



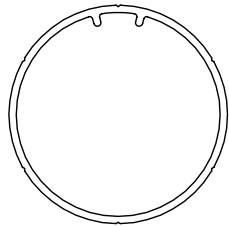
DEDUCTION



LINK SYSTEM	DEDUCTION
EASY-LINK	17mm [11/16"]
SKYLINE EASY-LINK	19mm [3/4"]
INFINITE LINK	18mm [11/16"]

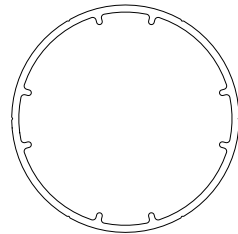
Note: Refer to Skyline Fascia 3" Product Specification manual for pin end and control end deductions.

TUBE SPECS



1-1/2" Tube
With tape

CODE: RTEA4TXX
OD: 38mm [1-1/2"]



2" Tube
With tape

CODE: RTEA5TXX
OD: 51mm [2"]