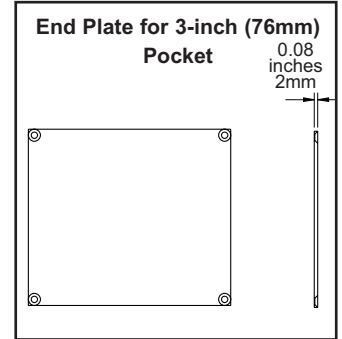
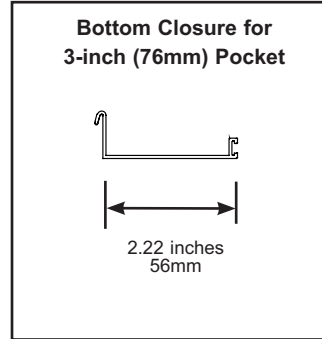
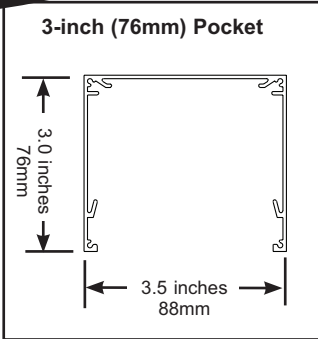
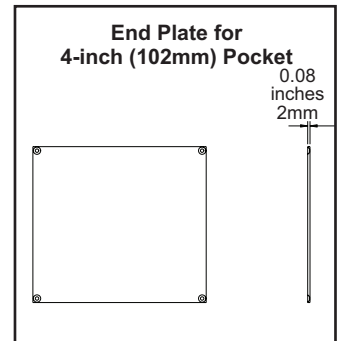
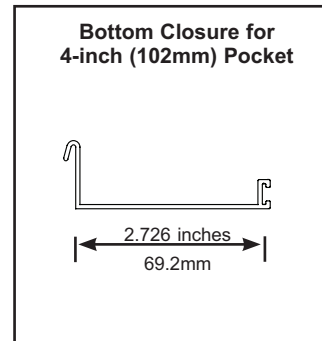
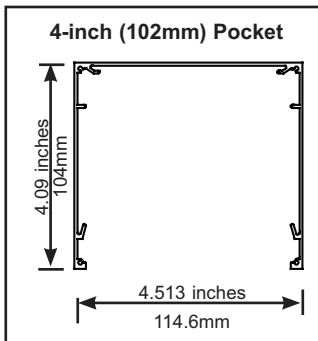


Dimensions shown conform to aluminum extrusion industry standards for tolerances.

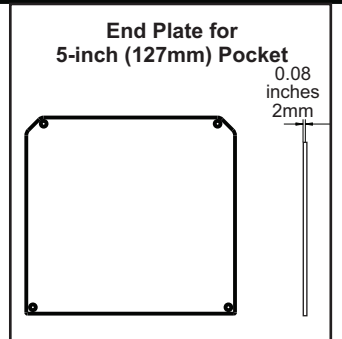
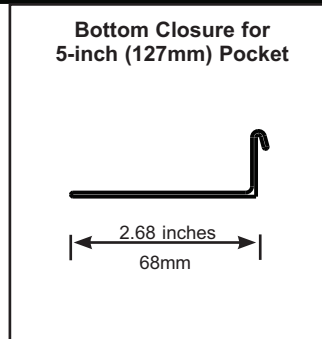
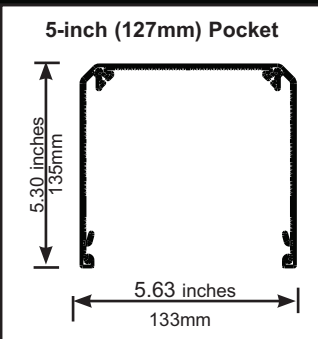
3-inch (76mm) Pocket



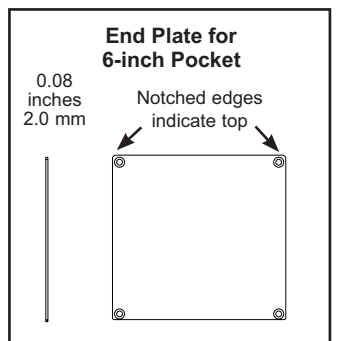
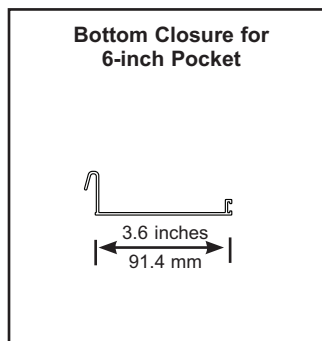
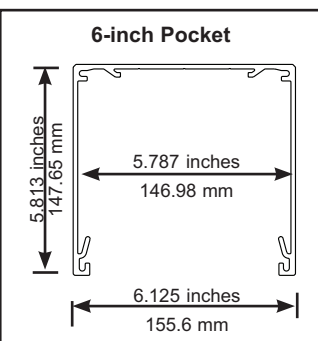
4-Inch (102mm) Pocket



5-Inch (127mm) Pocket



6-Inch (152mm) Pocket



Blackout Channel Dimensions For 4, 5 and 6" Systems

