

**SKYLIGHTS**

The Zipscreen Skylight system offers a refined solution for light block out in any horizontal or sloped windows. Using secure zip locking channels, the system achieves perfect tension of fabric in all directions during operation and while stationary. Electronically operated, it's the ultimate system for energy saving throughout buildings, adaptable for both commercial and domestic applications. The Wire Guide Skylight offers a cost effective solution giving flexibility for a range of installation scenarios.

**AESTHETICAL FEATURES**

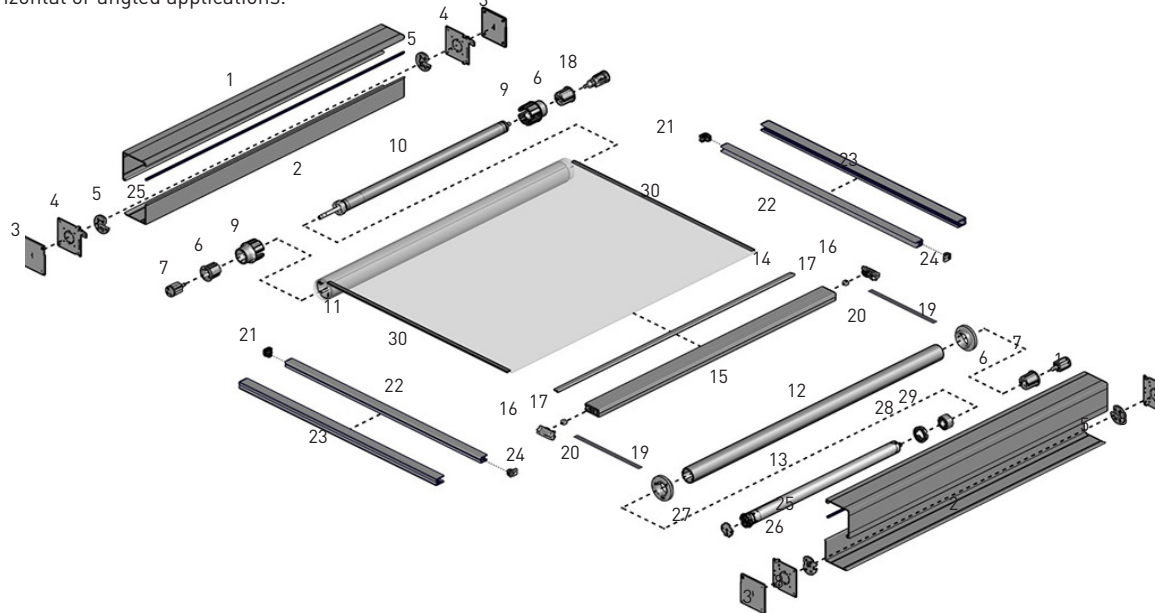
- Contemporary square architectural design.
- Custom colour matching achievable
- No visible tape/cord for Zipscreen Skylight

**PRODUCTION / ASSEMBLY FEATURES**

- Removable front covers for ease of maintenance and assembly.
- Uses S60 components for large applications.
- Zip reducers designed to accommodate zip build up preventing fabric ripples.

**FUNCTIONAL BENEFITS**

- Further enhances energy conservation compared to a standard roller blind.
- Versatile system for horizontal or angled applications.

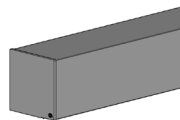


**SYSTEM OPTIONS**

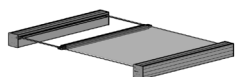
**CORD**  
(Tape Alternative)



**BOX100**  
(Alternative Cassette)



**WIREGUIDE**  
(Alternative Side Guide)



**CONTROL**

**MOTORIZED + SPRING**



**COLOUR RANGE**



**SYSTEM INDEX**

- Box 120 - TOP & BACK  
SB01-1340-xxxLLL
- Box 120 - Cover  
SB01-1326-xxxLLL
- Box 120 'SH33' End Plate Cove  
SB02-1220-xxx020
- Box 120 - Universal End Plate Set - With Ears  
SB02-1201-025020
- RB10 Idler Head Adapter  
RB10-6400-050001
- RB10 Tube Adapter  
RB10-6000-xxx060
- RB10 Bearing Idler  
RB10-6200-xxx001
- Box 120 - Universal End Plate Set - WithOUT Ears  
SB02-1201-025010
- Zip Tube Reducer | Long  
SB11-0815-050580
- RB10 Booster Extra Heavy (LH)  
RB10-6040-xxx051
- SYS60 | 80HD Aluminium Tube • O.D 80.0mm  
RB91-0280-000LLL
- SYS60 | 60STD Aluminium Tube • O.D 60.0mm  
RB91-0260-xxxLLL
- FT Motor  
See Catalog
- 7.2mm Spline with 15mm Tail  
SB91-0408-xxx015
- F72 HD Weight Bar  
RE15-0111-xxxLLL
- F72 HD Weight Bar End Caps  
RE15-0511-xxx000
- Wire Guide Ceramic Block  
SB06-1332-060020
- RB10 Pre-Tension Idler  
RB10-6220-050001
- SKYLIGHT Tape Spool - 9mm Tape + Fixing Screw | SYS60  
SS48-1061-xxx090
- Lift Tape, Outdoor  
SS95-6038-050500
- Skylight Zipscreen Inner Rail End Cap + Screw  
SB05-1611-xxx001
- ZIPSCREEN - Zip Inner Rail  
SB04-0701-xxxLLL
- ZIPSCREEN - 'U' Mounting Rail  
SB04-0702-xxxLLL
- Zipscreen | Inner Rail Funnel & Stop Set  
SB05-1411-050001
- Fabric Brush T Slot Fit  
SB91-0011-xxxLLL
- Motor Adapter  
See Catalog
- Motor Head Plate  
See Catalog
- Crown Wheel | S60  
See Catalog
- Drive Wheel | S60  
See Catalog
- ZIP | No.6 GAUGE  
SH91-0135-050200

xxx= colour

