

S45 Automate | 35mm

The motorized S45 roller shade system offers a range of four Automate motors with three tube diameters to suit a variety of applications. Featuring ARC (Automate Radio Communication), the 35mm S45 Automate system provides an intelligent, Li-ion battery, or a DC powered solution.

AESTHETIC FEATURES

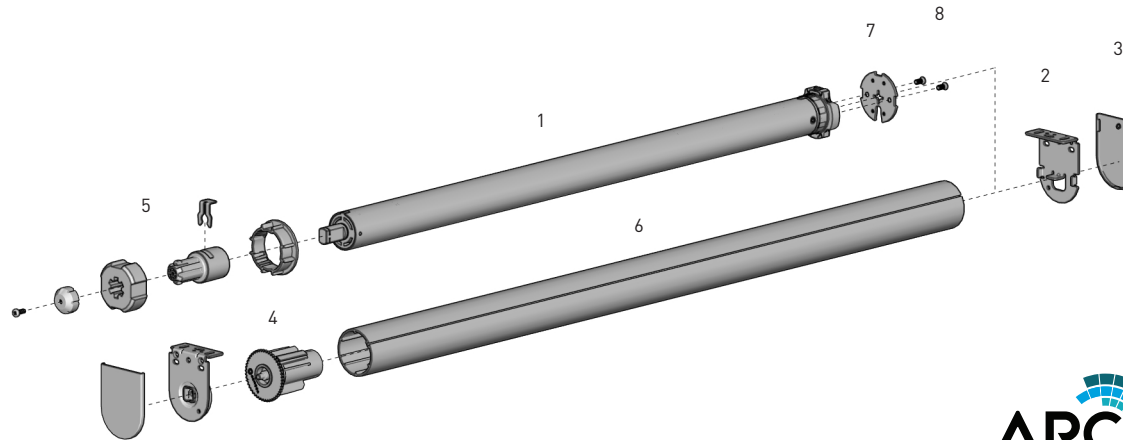
- Slim and compact roller blind system
- Contemporary design

ASSEMBLY / PRODUCTION FEATURES

- Easy-Lock effortless installation
- Easy limit setting and programming

FUNCTIONAL BENEFITS

- Leveling control
- Simple limit setting and adjustment
- Favorite position
- 3 operational speed settings
- 2-way RF communication
- ARC protocol for simple programming



SYSTEM INDEX

- Automate Motor | 35mm
 - MTDCBRF35-3 - Li-ion Q3.0
 - MTDCRF35-3 - DCRF 3.0
 - MTACRF35-6 - ACRF 6
 - MTACQRF35-6 - ACRF Q6
- Brackets
 - RB40-8355-xxx040
 - RB40-9355-xxx040
- Bracket Covers
 - RB08-4151-xxx040
- Pin End
 - RB08-0503-xxx045
 - RB09-0245-xxx001
- Crown and Drive Kit
 - MTCRDR-35-S45
- Aluminium Tube
 - RB93-044#-000490
 - RB93-644#-000490
- M40 H/D Universal Disc Adapter S45
 - RB40-1402-069400
- Screw for Adapter
 - SLAMSCREW

- Size
xxx- Color

PRODUCT OPTIONS

SUN SENSOR



SYSTEM UPGRADES

- CF90 CASSETTE
- CF90 EDGE
- LINK SYSTEM

CONTROL OPTIONS

PARADIGM REMOTES



WALL SWITCH



SMART HOME



PULSE



CHARGERS

ELECTRIC

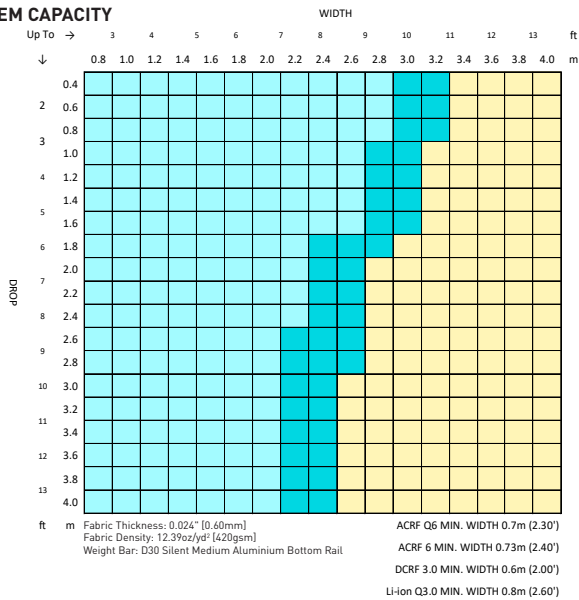


SOLAR



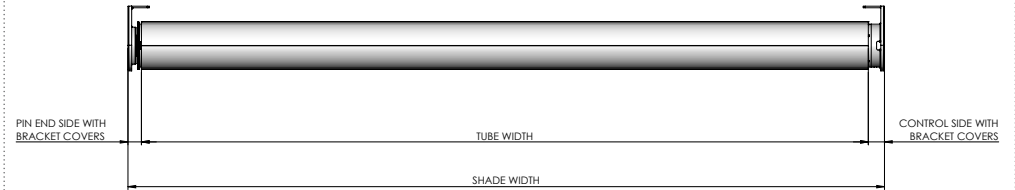
SPECIFICATIONS

35mm SYSTEM CAPACITY



CONTROL	TUBE	LINK SYSTEM
35mm Tube	S45 STANDARD	
	S45 HEAVY DUTY	

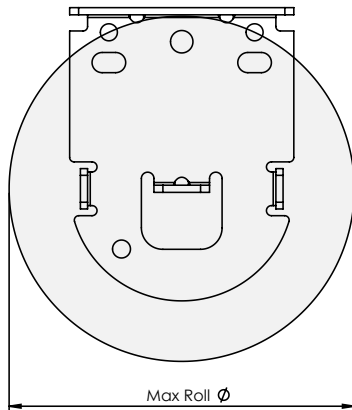
DEDUCTION CHART



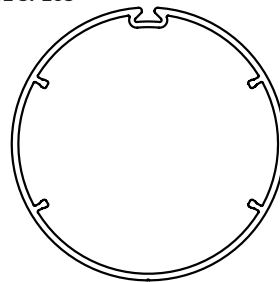
MOTOR		PIN END	CONTROL SIDE	OVERALL DEDUCTION
MTDCBRFQ35-3 MTDCRF35-3	With Bracket Covers	0.55" [14mm]	0.67" [17mm]	1.22" [31mm]
	No Bracket Covers	0.51" [13mm]	0.63" [16mm]	1.14" [29mm]

MAX ROLL

BRACKET	MAX ROLL SIZE
RB40-8355-xxx040 RB40-9355-xxx040	3" (76mm)

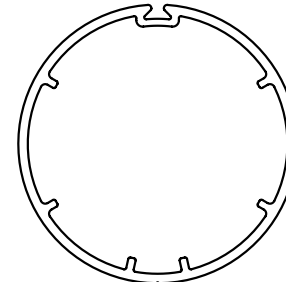


TUBE SPECS



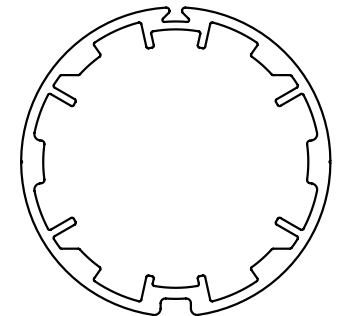
S45 LIGHT T-SPLINE TUBE

Code: RB93-0443-000490
RB93-6443-000490 (with tape)
OD: 1.69" [43mm]
Length 16' [4.9m]



S45 STANDARD T-SPLINE TUBE

Code: RB93-0444-000490
RB93-6444-000490 (with tape)
OD: 1.73" [44mm]
Length 16' [4.9m]



S45 HEAVY DUTY T-SPLINE TUBE

Code: RB93-0449-000490
RB93-6449-000490 (with tape)
OD: 1.93" [49mm]
Length 16' [4.9m]

MAX DROP		
S45 LIGHT	S45 STANDARD	S45 HEAVY DUTY
13.12' [4.00m]*		

* Recommended Max Drop. Exceeding this value may cause fabric tracking issues