

OVERVIEW: S45 CRANK GEAR SYSTEM

The Crank Gear System brings a heavy weight operation to S45 Rollease Acmeda range with the ability to carry up to 9Kg's (19.84lbs).

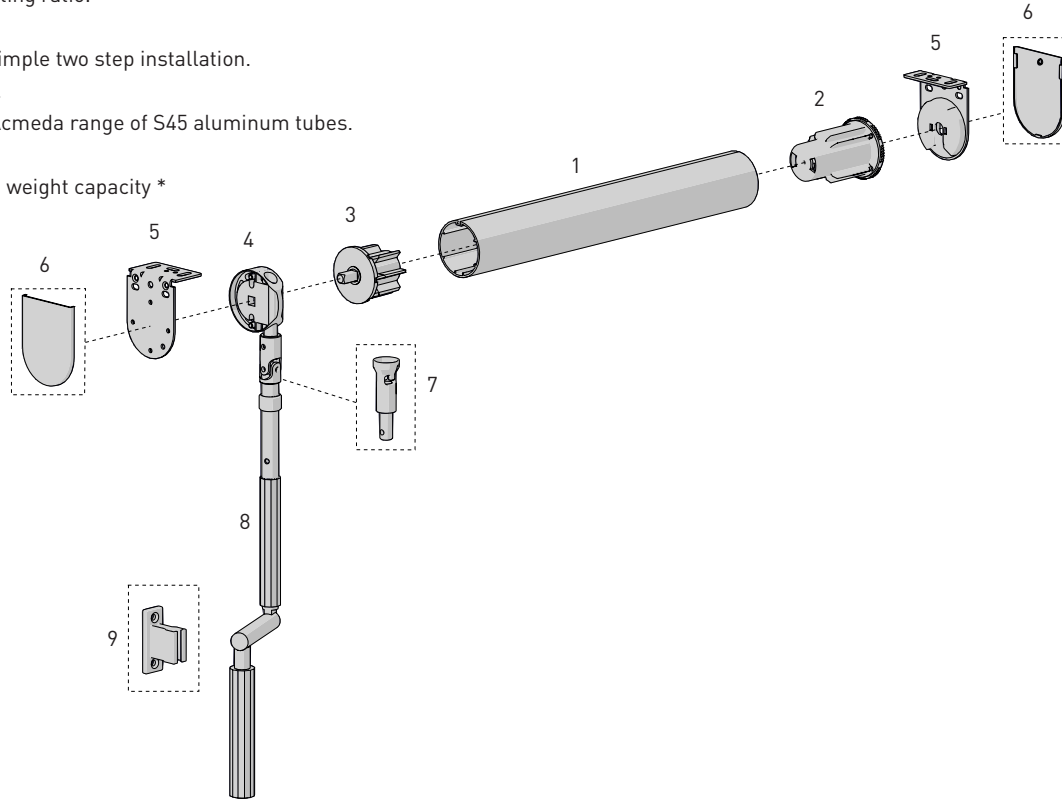
AESTHETIC FEATURES

- Color Coded hardware
- Slim round design

FUNCTIONAL BENEFITS

- Small gear offering 2.8:1 operating ratio.
- Detachable crank arm.
- Easy Lock idle technology for simple two step installation.
- Optional securing arm support.
- Compatible with the Rollease Acmeda range of S45 aluminum tubes.
- Child safe control option.
- 9Kg (19.84lbs) Maximum shade weight capacity *

* Dependant on tube size.



SYSTEM INDEX

1	Aluminum Tube - S45 (LIGHT / STANDARD / HD) RB93-044x-000580
2	Easy-Lock Extendable Idler - S45 RB09-0245-xxx001
3	Gear Drive End Cap - S45 RB05-0100-050045
4	Gear - Small RB05-4007-xxx001
5	Gear Bracket Set - VX RB05-9359-xxx040
6	LX / VX Bracket Cover Cap - 40p RB08-4151-xxx040
7	Coupling Joint RB05-9101-020001
8	Crank Control Arm RB05-9101-340100 [100cm] RB05-9101-340150 [150cm] RB05-9101-340200 [200cm]
9	Crank Arm Support RB05-9102-xxx000

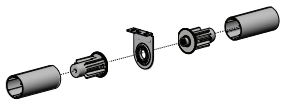
COLOR RANGE



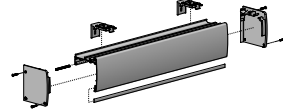
pure white
069

ADD ON SYSTEMS

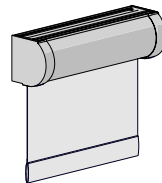
EASY-LINK S45



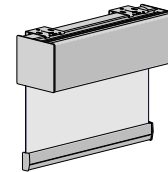
PELMET 95



CF90

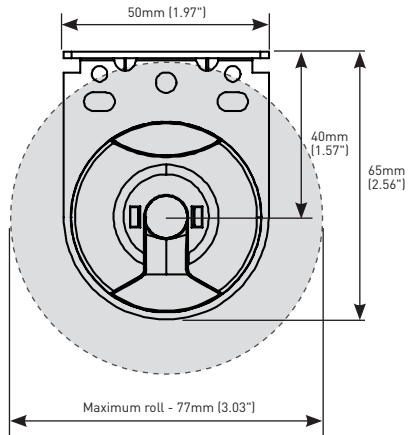


SQUARE CASSETTE 110

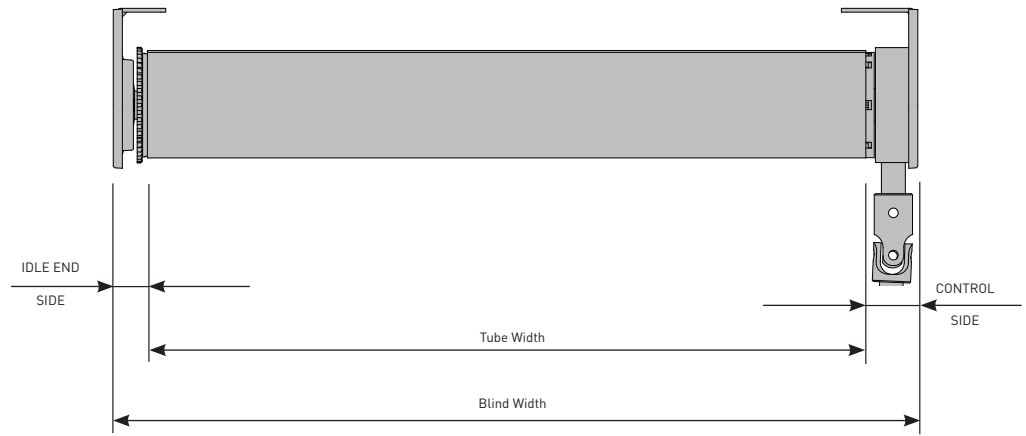


SPECIFICATIONS: S45 CRANK GEAR SYSTEM

MAX ROLL

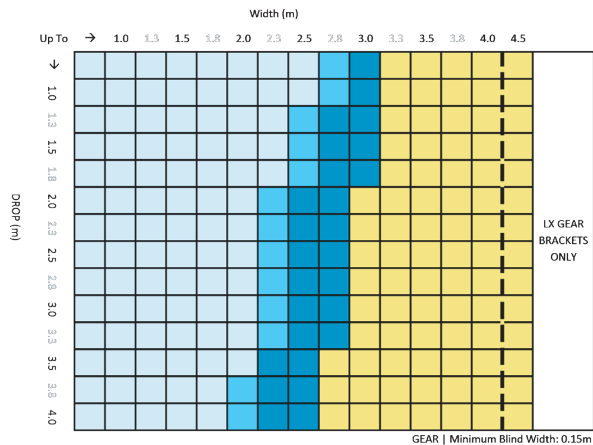


DEDUCTIONS



	IDLE END SIDE	CONTROL SIDE	OVERALL DEDUCTION
LX BRACKETS - with covers	14mm [0.55"]	22mm [0.86"]	36mm [1.41"]
LX BRACKETS - without covers	13mm [0.51"]	21mm [0.82"]	34mm [1.33"]

SYSTEM CAPACITY CHART



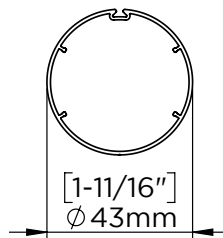
CONTROL	TUBE	EASY-LINK REQ.
GEAR	S45 HD / STD / LT	
	S45 HD / STD	
	S45HD	

*Refer to S40/45 Easy-Link QRG for further details

PARAMETERS:

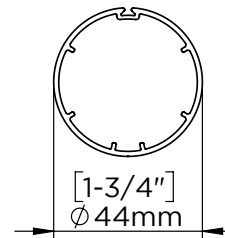
Fabric Density: 420gsm [12.39 oz/yd²]
 Fabric Thickness: 0.6mm [0.02"]
 Weight Bar: D30 Bottom Rail 0.290 kg/m [0.64 lbs/ft]

ALUMINUM TUBES



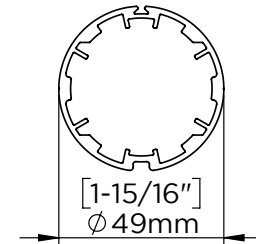
S45 LIGHT
T-Spline Tube

CODE: RB93-6443-000580 (with D/S tape)
 O.D: 43mm [1.69"]
 Length: 5.8metres [19.03"]
 Maximum Hold Weight: 9.4kg [20.72lbs]



S45 STANDARD
T-Spline Tube

CODE: RB93-0444-000580
 O.D: 44mm [1.73"]
 Length: 5.8metres [19.03"]
 Maximum Hold Weight: 9.2kg [20.28lbs]



S45 HEAVY DUTY
T-Spline Tube

CODE: RB93-6449-000580 (with D/S tape)
 O.D: 49mm [1.93"]
 Length: 5.8metres [19.03"]
 Maximum Hold Weight: 8.3kg [18.30lbs]