

CF90 CASSETTE/FASCIA | USA

Rollase Acmeda's CF90 Cassette/Fascia add on solution suite offers a comprehensive range of head box styles, controls and side channel options with improved performance functionality and aesthetics. A contemporary round or square headbox, available in fully enclosed or partial fascia, designed to house the Skyline and S45 Roller Shade chainwinder & motorized control systems. Utilizing versatile hardware, the new cassette suite can be matched with CF90 Edge side channels for improved energy efficiency.

**AESTHETICAL FEATURES**

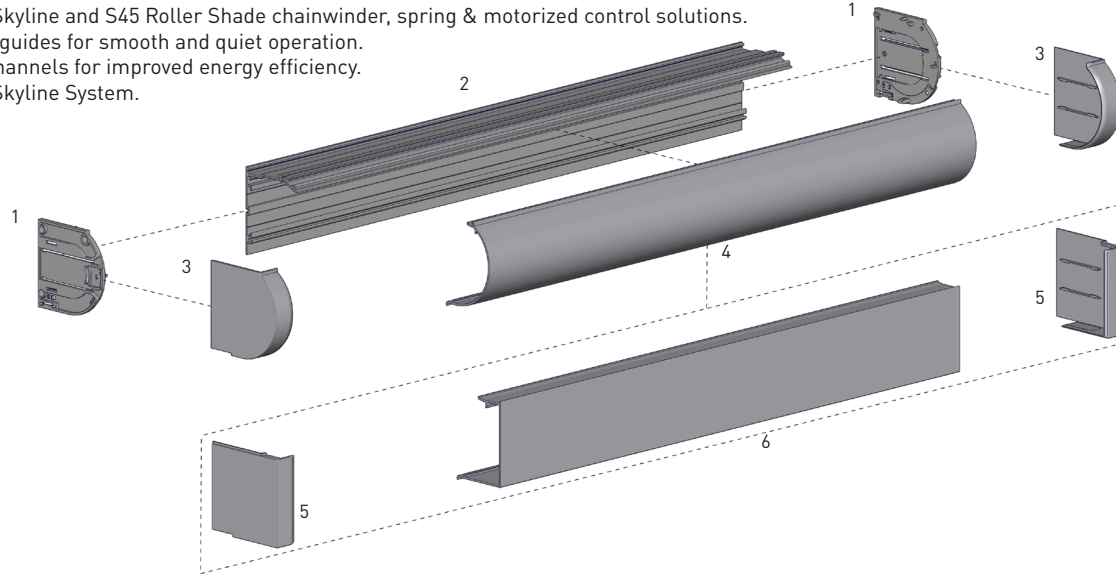
- Clean lines and complimentary aesthetics for various applications in round or square finish.
- Both styles available as a fascia or fully enclosed cassette.
- Wall and Ceiling mounting clip options available for installations with minimized light gap.
- End covers designed to overlap cassette front to conceal production blemishes.
- Color matched plastic end covers.

**PRODUCTION & ASSEMBLY FEATURES**

- Suite utilizes versatile hardware for reduced inventory.
- 2-piece CF90 Edge side channels for improved face/wall and recess/inside mount installation.

**FUNCTIONAL BENEFITS**

- Compatible with Skyline and S45 Roller Shade chainwinder, spring & motorized control solutions.
- Co-molded chain guides for smooth and quiet operation.
- CF90 Edge side channels for improved energy efficiency.
- Compatible with Skyline System.



SYSTEM INDEX

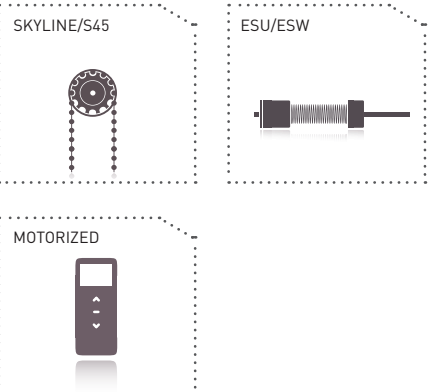
1	Cassette 90 End Plate Set	RC02-0101-xxx090
2	Cassette 90 Back	RC01-0101-xxx490
3	Cassette 90 Round Cover Set	RC02-0102-xxx090
4	Cassette 90 Round Cover	RC01-0102-xxx490
5	Cassette 90 Square Cover Set	RC02-0103-xxx090
6	Cassette 90 Square Cover	RC01-0103-xxx490

xxx= colour

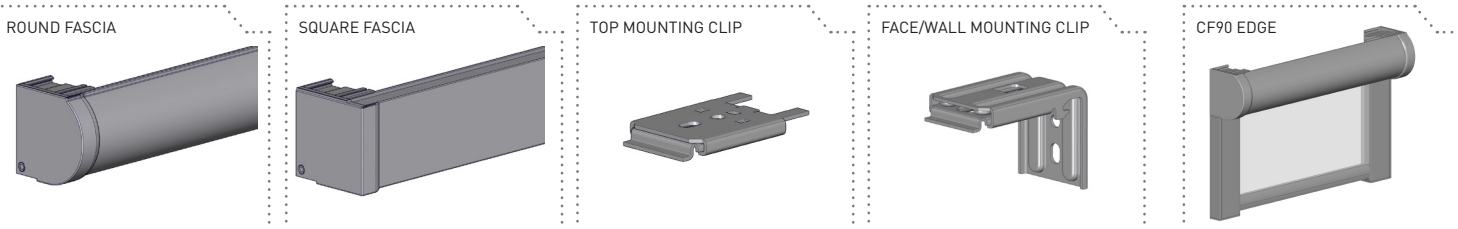
COLOR RANGE



CONTROL OPTIONS



SYSTEM OPTIONS

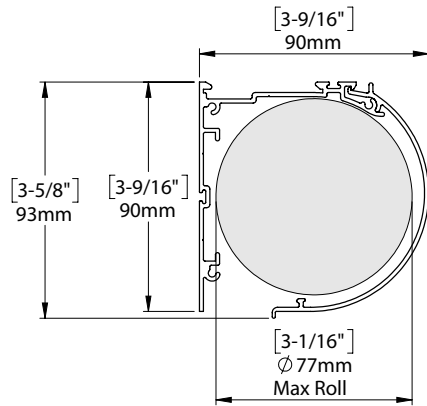


SYSTEM UPGRADES

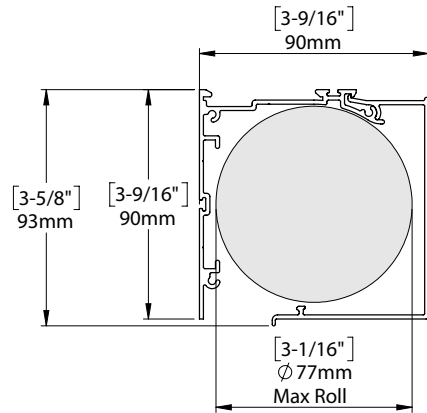


**SPECIFICATIONS**

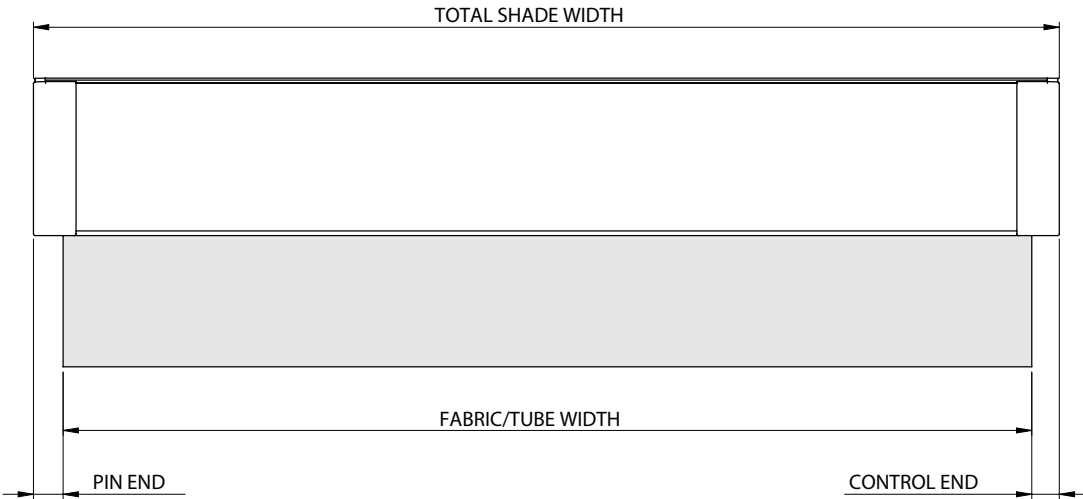
**MAX ROLL - ROUND CASSETTE**



**MAX ROLL - SQUARE CASSETTE**



**DEDUCTION**



PIN END		CONTROL END			
		Li-ion ZERO		CHAINWINDER	
RB09	SLPEV653	1.1Nm	2.0Nm	RB09	SL15
18mm (3/4")	19mm* (3/4")	17mm (5/8")	18mm (3/4")	18mm (3/4")	20mm (3/4")

\*Add 1mm (0.039") for HD Pin End.