

HEM BARS

FEATURES & BENEFITS

- Variety of sizes to suit all shade solutions.
- Multiple add-ons available to customize installation.
- End caps suitable to specific upgrades.
- Feed funnels available to assist in assembly.



LIMITED LIFETIME WARRANTY

COLORS

REFER TO CATALOG

OPTIONS



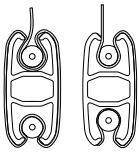
BUBBLE SEAL



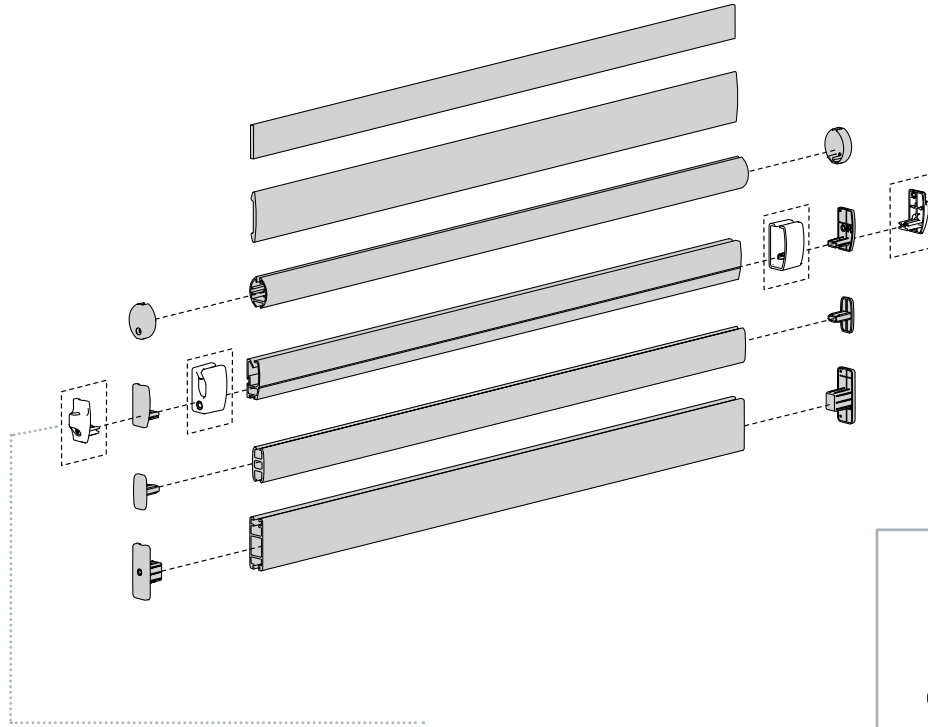
FABRIC BRUSH



BALLAST



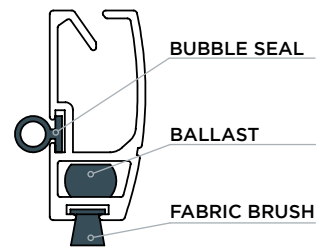
OPULENCE



HEM BARS

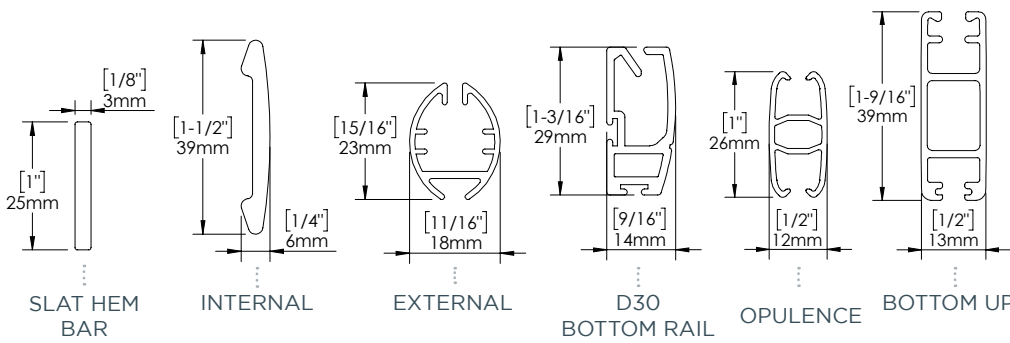
SLAT
INTERNAL
EXTERNAL

ADD-ON EXAMPLE | D30



WIRE GUIDE

TECHNICAL DATA



HEM BAR COMPATIBILITY

		lbs/ft	kg/m	ROUND SPLINE 3mm	ROUND SPLINE 5mm	FLAT SPLINE 9mm	FLAT SPLINE 15mm	FABRIC FEEDING FUNNELS	BALLAST	FABRIC BRUSH	BUBBLE SEAL	EDGE SIDE CHANNEL	WIRE GUIDE END CAPS	HEM BAR HANDLES
SLAT	Minimal heat-sealed pocket solution.	0.15	0.2									✓		
INTERNAL	Heat-sealed pocket solution.	2.28	3.4									✓		
EXTERNAL	Round aesthetic.	1.81	2.7				✓							
D30 BOTTOM RAIL	Premium solution. Fabric brush & bubble seal reduces noise and light gap.	2.21	3.3				✓	✓	✓	✓	✓	✓	✓	✓
OPULENCE	Suitable for half wrap and full wrap, and color matching with Opulence Brackets.	1.70	2.5	✓	✓	✓			✓			✓		✓
BOTTOM UP	Suitable for bottom up shading systems	3.32	4.9			✓			✓					