

**F4115 FLAT HEAVY DUTY WEIGHT BAR & END CAPS**

The F4115 Heavy Duty Weight Bar provides a stylish finish to the larger, heavier range of roller shades.

**AESTHETIC FEATURES**

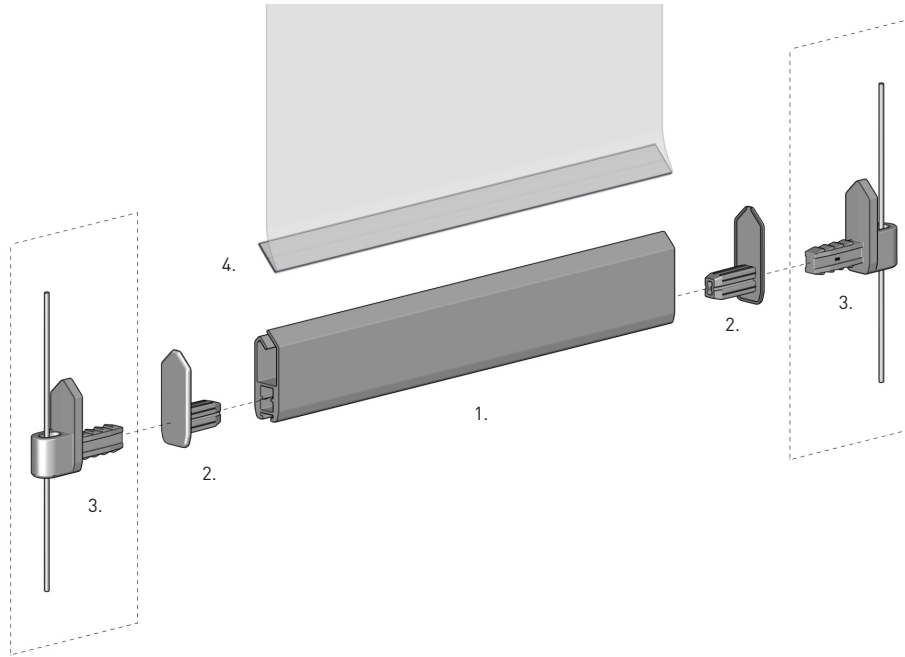
- Extruded aluminum powder coated finish
- Complete matching color range

**PRODUCTION & ASSEMBLY FEATURES**

- Wire and Side Guide system compatibility

**FUNCTIONAL BENEFITS**

- Additional weight ballast allowances, achieving optimal performance



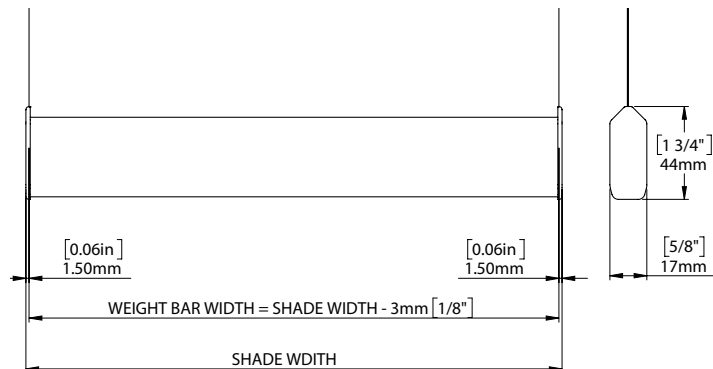
**SYSTEM INDEX**

1	F4115 FLAT HEAVY DUTY BOTTOM RAIL
	SB06-0201-xxx580
2	F4115 FLAT HEAVY DUTY END CAPS
	SB06-0210-xxx000
3	F4115 FLAT HEAVY DUTY WIRE GUIDE END CAPS
	SB06-0210-xxx003
4	15mm ACM FLAT SPLINE
	RB92-150x-001075

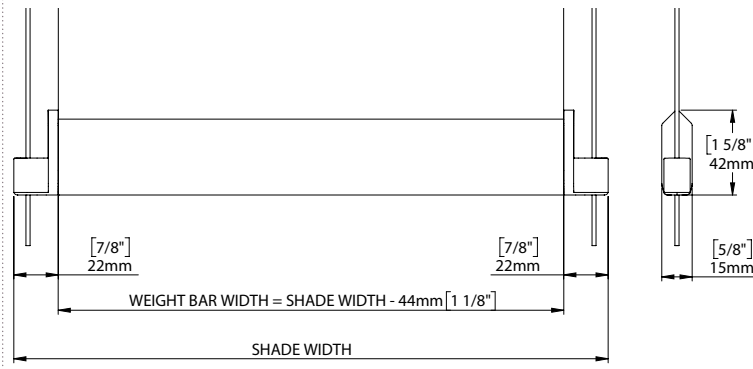
xxx= color

**SYSTEM DEDUCTIONS**

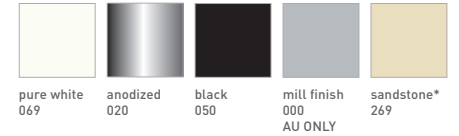
**HEAVY DUTY END CAPS**



**HEAVY DUTY WIRE GUIDE END CAPS**



**COLOR RANGE**



\*SPECIAL ORDER FOR AU