

Skyline Automate | 45mm

The motorized Skyline roller shade system is suitable to the MTDCRFQ45-3 and the MTDCBRFQ45 with three tube diameters to suit a variety of applications. Featuring ARC (Automate Radio Communication), the 45mm Skyline Automate system provides an intelligent, Li-ion battery or a DC powered solution. **R-Series is not recommended with motors over 3mm.**

AESTHETIC FEATURES

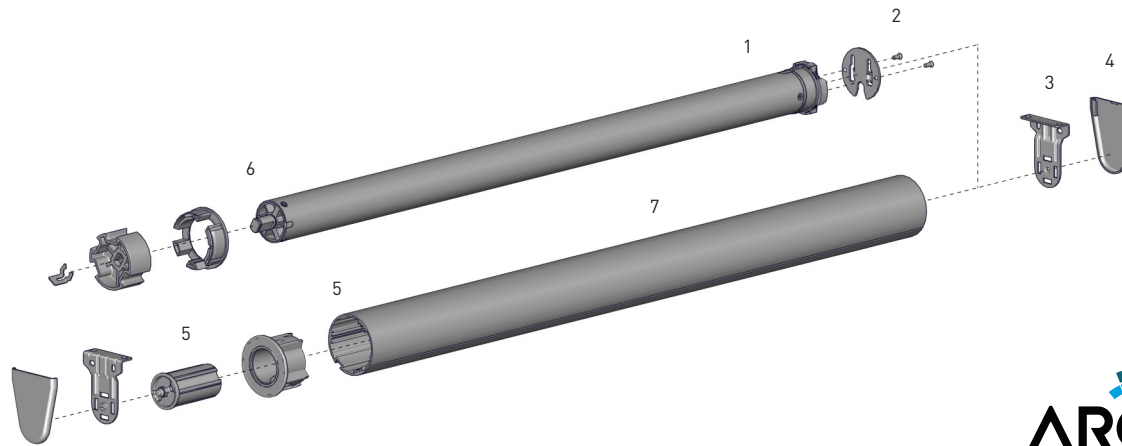
- Slim motor head for minimal light gap

ASSEMBLY / PRODUCTION FEATURES

- Crown, drive and adapters available are only suitable to the MTDCRF45-3 and MTDCBRF-3 motors.

FUNCTIONAL BENEFITS

- Leveling control
- Simple limit setting and adjustment
- Favorite position
- 3 operational speed settings
- 2-way RF communication
- ARC protocol for simple programming



SYSTEM INDEX

- 1 Automate Motor | 45mm
 - a. MTDCBRFQ45-3 - Li-ion Q3.0
 - b. MTDCRFQ45-3 - DCRF Q3.0
- 2 Motor Adapter
MTAD-45-SL
- 3 Brackets
SLB###x
SLNB###x
- 4 Bracket Covers
SLBC###x
SLNBC###x
- 5 Pin End & Adapter
SLPEHD53xx + RA2xx
- 6 Crown and Drive Kit
MTCRDR-45-2 - Kit for 2" tube
MTCRDR-45-2.5 - Kit for 2½" tube
MTCRDR-45-3.24 - Kit for 3¼" tube
- 7 Aluminium Tube
RTEA5T## - 2" tube
RTEA6T## - 2½" tube
RTEA7T## - 3¼" tube
- 8 Screws for Adapter
SLAMSCREW

- Size
xxx- Color

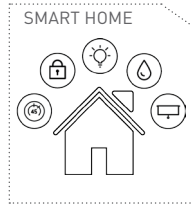
PRODUCT OPTIONS



SYSTEM UPGRADES

- CASSETTE 80/100/120
- FASCIA 3"/4"/5"
- LINK SYSTEM
- POCKETS 3"/4"/5"/6"

CONTROL OPTIONS

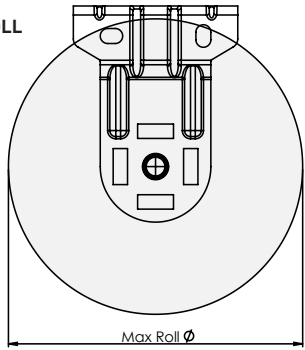


CHARGERS



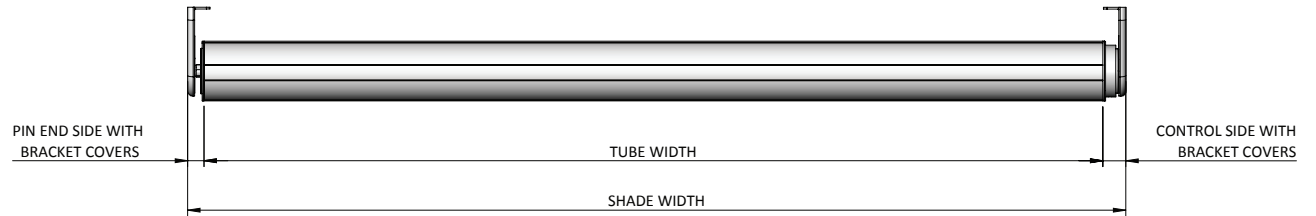
SPECIFICATIONS

MAX ROLL



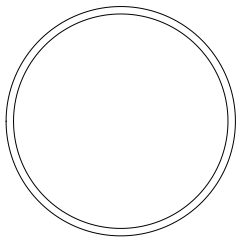
BRACKET	MAX ROLL SIZE
SLxx650xx	2.35" [59.0mm]
SLxx660xx	3" [76.2mm]
SLxx680xx	4" [101.6mm]
SLxx690xx	5" [127.5mm]

DEDUCTION CHART



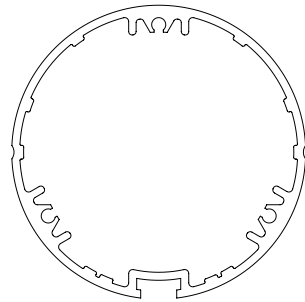
MOTOR	TUBE	BRACKETS	PIN END	CONTROL SIDE	OVERALL DEDUCTION
MTDCBRFQ45-3	2" Tube	With Bracket Covers	.55" [16mm]	.87" [22mm]	1.42" [36mm]
		No Bracket Covers	.51" [13mm]	.79" [20mm]	1.30" [33mm]
MTDCRFQ45-3	2½" Tube	With Bracket Covers	.59" [15mm]	.83" [21mm]	1.42" [36mm]
		No Bracket Covers	.55" [14mm]	.75" [19mm]	1.30" [33mm]
	3¼" Tube	With Bracket Covers	.59" [15mm]	.87" [22mm]	1.46" [37mm]
		No Bracket Covers	.55" [14mm]	.79" [20mm]	1.30" [34mm]

TUBE SPECS



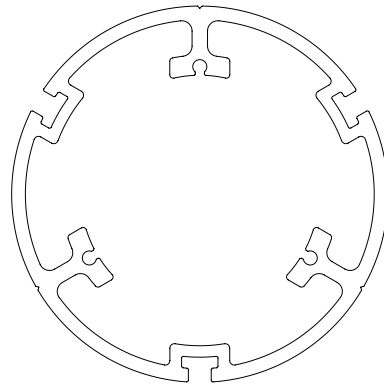
2" Tube

Code: RTEA5T12 (with tape)
 RTEA5U12
 RETA5T16 (with tape)
 RTEA5U16
 OD: 2.0" [51mm]
 Length 12', 16'
 [3.66m, 4.88m]



2½" Tube

Code: RETA6T16 (with tape)
 RTEA6U16
 2.5" [65mm]
 OD: 16'
 Length [4.88m]



3¼" Tube

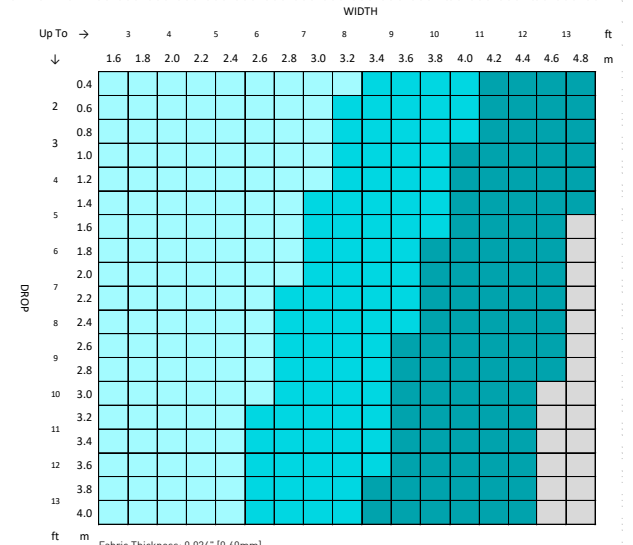
Code: RETA7T16 (with tape)
 OD: 3.25" [83mm]
 Length 16'
 [4.88m]

MAX DROP		
2" TUBE	2½" TUBE	3¼" TUBE
8.76' [2.67m]	13.12' [4.00m]*	

* Recommended Max Drop. Exceeding this value may cause fabric tracking issues

***R-Series is not recommended with motors over 3mm**

45mm SYSTEM CAPACITY



Fabric Thickness: 0.024" [0.60mm]
 Fabric Density: 12.39oz/yd² [420gsm]
 Weight Bar: D30 Silent Medium Aluminium Bottom Rail

U-Ion Q3-Q2 0.91M WIDTH 0.95m (3.21)
 DCRF Q3-Q2 0.91M WIDTH 0.85m (2.79)
 ACRF Q3-Q2 0.91M WIDTH 0.90m (2.95)
 ACRF Q3-Q2 0.91M WIDTH 0.80m (2.62)

CONTROL	TUBE	OUTSIDE SPECIFICATION
45mm Motor	RTEA5T## - 2.0"	
	RETA6T## - 2.5"	
	RTEA7T## - 3.25"	