

R-Series 3.0Nm & 6.0Nm | 35mm

The 35mm 3.0Nm R-Series roller shade system offers a motorized solution to suite a variety of applications. Featuring ARC (Automate Radio Communication), the 35mm 3.0Nm R-Series system provides an intelligent, Li-ion battery powered solution.

AESTHETICAL FEATURES

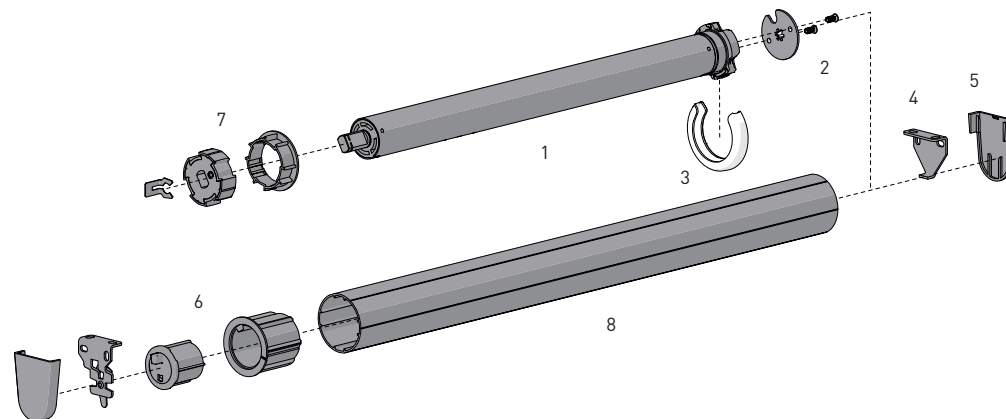
- Slim motor head for minimal light gap
- Motor cap to color match with brackets

PRODUCTION & ASSEMBLY FEATURES

- Suitable to a variety of applications

FUNCTIONAL BENEFITS

- 5V micro USB charging
- Levelling control
- Simple limit setting and adjustment
- Favorite position
- 3 operational speed settings
- 2-WAY RF communication
- ARC protocol for simple program



SYSTEM INDEX

1	Automate Motor 35mm MT01-1335-069001 - 5V Li-ion 3.0 MTDCBRF35-3 - 12V Li-ion 3.0 MTDCRF35-3 - 12V DCRF 3.0 MTACRF35-6 - 12V ACRF 6.0 MTACQRF35-6 - 12V ACRF Q6
2	Motor Adaptor + Screws MTAD-252835-RS + SLAMSCREW
3	Motor Cap MTCAP-25-BK - Black MTCAP-25-W - White MTCAP-25-AB - Antique Bronze MTCAP-25-SN - Satin Nickel
4	Brackets RB360xx RB380xx RB390xx
5	Bracket Covers RBPC360xx RBPC380xx
6	Pin End & Adaptor REP53xx + RA2
7	Crown and Drive Kit MTCRDR-35-2
8	Aluminum Tube RTEA5T## - 2" tube

- Size
xxx= Color

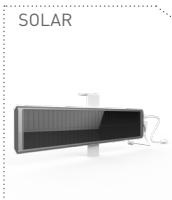
COLOR RANGE



CONTROL OPTIONS



CHARGERS



OPTIONS

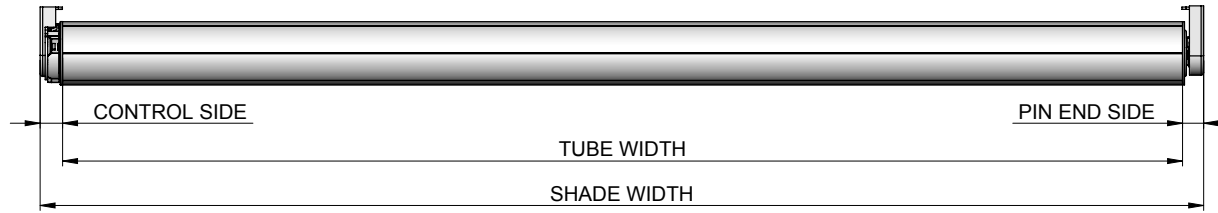


SYSTEM UPGRADES

- CASSETTE 80/100/120
- FASCIA 3"/4"/5"
- LINK SYSTEM
- POCKETS 3"/4"/5"/6"

SPECIFICATIONS

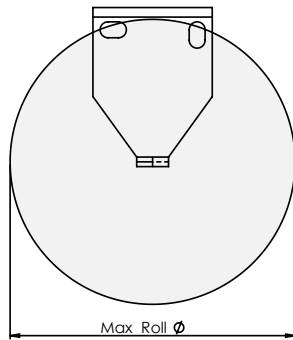
DEDUCTION CHART



MINIMUM SHADE WIDTH	
MT01-1335-069001	3.01' [0.935m]
MTDCBRF35-3	3.01' [0.935m]
MTDCRF35-3	1.76' [0.535m]
MTACRF35-6	2.15' [0.655m]
MTACQRF35-6	2.02' [0.615m]

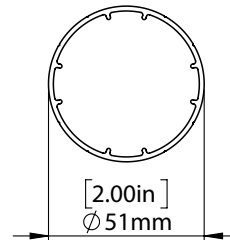
TUBE	MOTOR	BRACKETS	LIGHT GAP		
			CONTROL END	PIN END	OVERALL
2"	MT01-1335-069001 MTDCBRF35-3 MTDCRF35-3 MTACRF35-6 MTACQRF35-6	With Covers	0.71" [18mm]	0.67" [17mm]	1.38" [35mm]
		No Covers	0.63" [16mm]	0.59" [15mm]	1.22" [31mm]

MAX ROLL



BRACKET	MAX ROLL SIZE
RB360xx	2.57" [69mm]
RB380xx	3.65" [92mm]
RB390xx	4.00" [101mm]

TUBE SPECS.



2" Tube

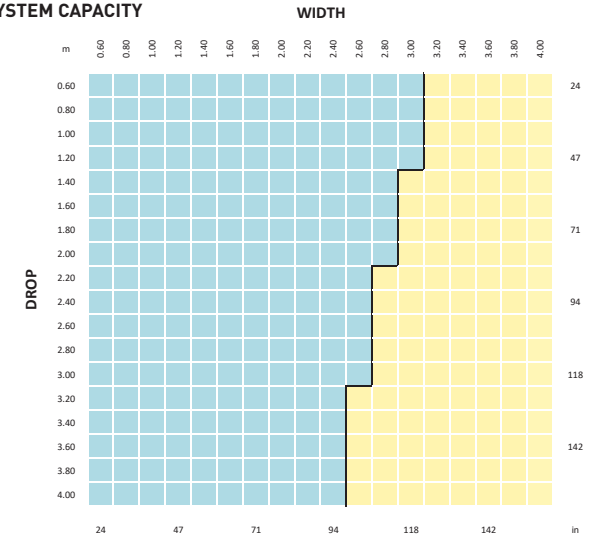
Code: RTEA5T12 (with tape)
RTEA5U12
RTEA5T16 (with tape)
RTEA5U16

Length: 12' 16"
[3.66m, 4.88m]

MAX LIFTING CAPACITY		MAX DROP*
MOTOR	2" TUBE	
3.0Nm	26.4lbs [12.0kg]	13.1' [4m]
6.0Nm	52.9lbs [24.0kg]	

* Recommended Max Drop. Exceeding this value may cause fabric tracking issues

SYSTEM CAPACITY



TUBE
2" TUBE
LINKED SYSTEM

PARAMETERS
FABRIC DENSITY: 420gsm
FABRIC THICKNESS: 0.6mm
WEIGHT BAR: D30 Medium Bottom Rail
CONTROL: 3.0Nm & 6.0Nm MOTORS