

R-Series 2.0Nm | 28mm

The motorized 28mm 2.0Nm R-Series roller shade system offers multiple tubes to suit a variety of applications. Featuring ARC (Automate Radio Communication), the 28mm 2.0Nm R-Series system provides an intelligent Li-ion battery powered solution.

AESTHETICAL FEATURES

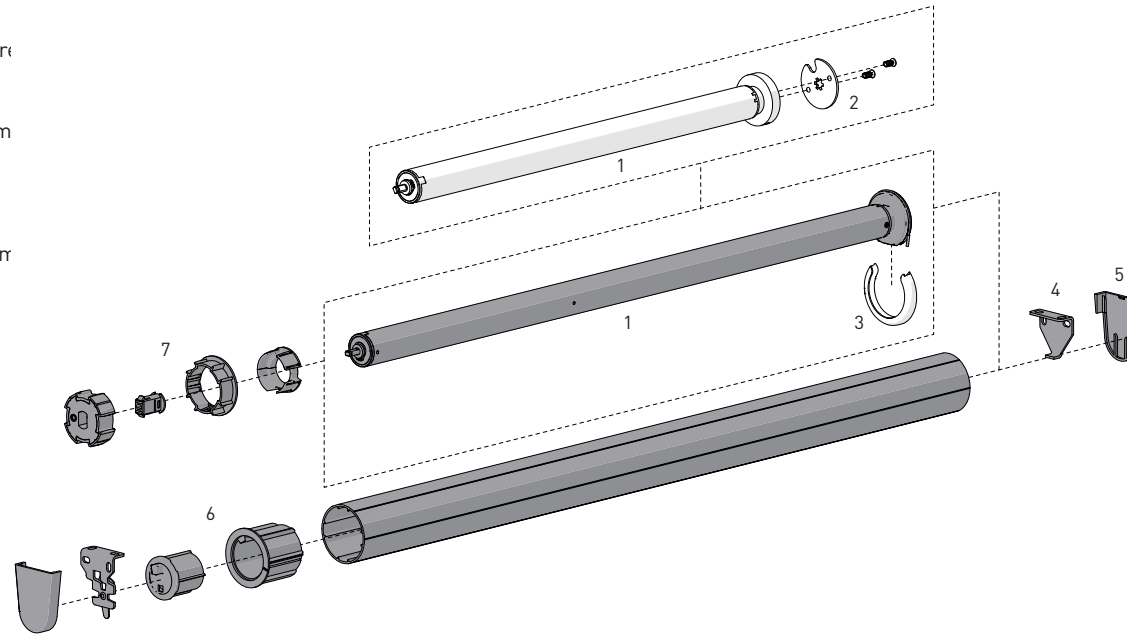
- Thinner Motor Head
- Motor cap to color match with brackets

PRODUCTION & ASSEMBLY FEATURES

- Smaller Motor end deduction
- Crown, drive and adapters available to suit variety of tube sizes

FUNCTIONAL BENEFITS

- 5V Micro USB Charging
- Antennae Wire Retention Feature
- Levelling control
- Simple limit setting and adjustm
- Favorite position
- 3 operational speed settings
- ARC protocol for simple program
- 2-WAY RF communication



SYSTEM INDEX

Automate Motor | 28mm
 MT01-1328-069001 - Li-ion ZERO Q2.0
 MT01-1328-069004 - Li-ion ZERO Q2.0 CT15
 1 MTDCRFQ28-2 - DCRF Q2.0
 MTDCBRFQ28-2 - Li-ion Q2.0
 MTDCBRFQ28-2CT - Li-ion Q2.0 CTN15

2 Motor Adaptor + Screws MTDCRF ONLY
 MTAD-252835-RS + SLAMSCREW

3 Motor Cap - ZERO ONLY
 MT03-0502-027001 - Chrome
 MT03-0502-034001 - Satin Nickel
 MT03-0502-043001 - Brass
 MT03-0502-059001 - Black
 MT03-0502-077001 - White
 MT03-0502-079001 - Antique Bronze
 MT03-0502-091001 - Gun Metal

4 Brackets
 RB360xx - R8 1 1/2" Set
 RB380xx - R8 2" Set
 RB390xx - R8 2-7/8" Set

5 Bracket Covers
 RBPC360xx
 RBPC380xx

6 Pin End + Adapter
 REP53xx - 1 1/2" tube
 REP53xx + RA2xx - 2" tube with Adapter

7 Crown and Drive Kit
 MT03-0110-069002 - 1 1/2" tube
 MTCRDR-28-2 - 2" tube

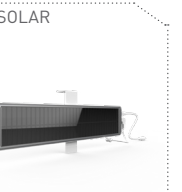
8 Aluminum Tube
 RTEA4T## - 1 1/2" tube
 RTEA5T## - 2" tube

- Size
 xxx= Color

COLOR RANGE



CONTROL OPTIONS



CHARGERS

OPTIONS

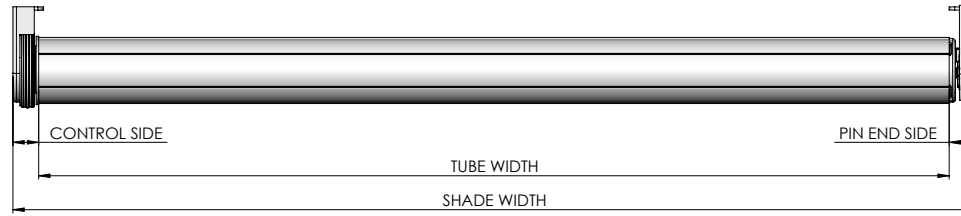


SYSTEM UPGRADES

- CASSETTE 80/100/120
- FASCIA 3"/4"/5"
- LINK SYSTEM
- POCKETS 3"/4"/5"/6"

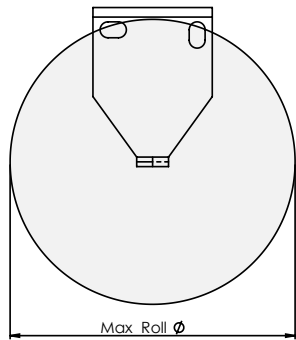
SPECIFICATIONS

DEDUCTION CHART



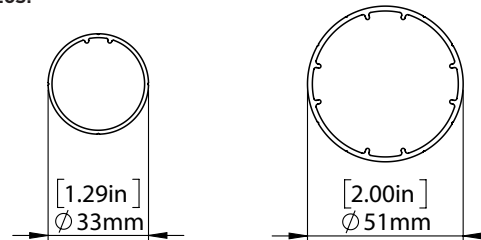
MINIMUM SHADE WIDTH		TUBE	MOTOR	BRACKETS	LIGHT GAP		
					CONTROL END	PIN END	OVERALL
MT01-1328-069001 MTDCBRFQ28-2	2.41' [0.735m]	1 1/2"	MT01-1328-069001	With Covers	0.63" [16mm]	0.67" [17mm]	1.30" [33mm]
				No Covers	0.55" [14mm]	0.59" [15mm]	1.14" [29mm]
			MTDCBRFQ28-2 MTDCRFQ28-2	With Covers	0.71" [18mm]	0.67" [17mm]	1.38" [35mm]
				No Covers	0.63" [16mm]	0.59" [15mm]	1.22" [31mm]
MTDCRFQ28-2	1.71' [0.520m]	2"	MT01-1328-069001	With Covers	0.63" [16mm]	0.67" [17mm]	1.30" [33mm]
				No Covers	0.55" [14mm]	0.59" [15mm]	1.14" [29mm]
			MTDCBRFQ28-2 MTDCRFQ28-2	With Covers	0.71" [18mm]	0.67" [17mm]	1.38" [35mm]
				No Covers	0.63" [16mm]	0.59" [15mm]	1.22" [31mm]

MAX ROLL



BRACKET	MAX ROLL SIZE
RB360xx	2.57" [69mm]
RB380xx	3.65" [92mm]
RB390xx	4.00" [101mm]

TUBE SPECS.



1 1/2" Tube

Code: RTEA4T12 (with tape)
RTEA4U12
RTEA4T16 (with tape)
RTEA4U16

Length 12', 16'
(3.66m, 4.88m)

2" Tube

Code: RTEA5T12 (with tape)
RTEA5U12
RTEA5T16 (with tape)
RTEA5U16

Length 12', 16'
(3.66m, 4.88m)

MOTOR	MAX LIFTING CAPACITY		MAX DROP*
	1-1/2" TUBE	2" TUBE	
2.0Nm	23.3lbs [10.6kg]	17.6lbs [8.0kg]	13.1' [4m]

* Recommended Max Drop. Exceeding this value may cause fabric tracking issues

SYSTEM CAPACITY

