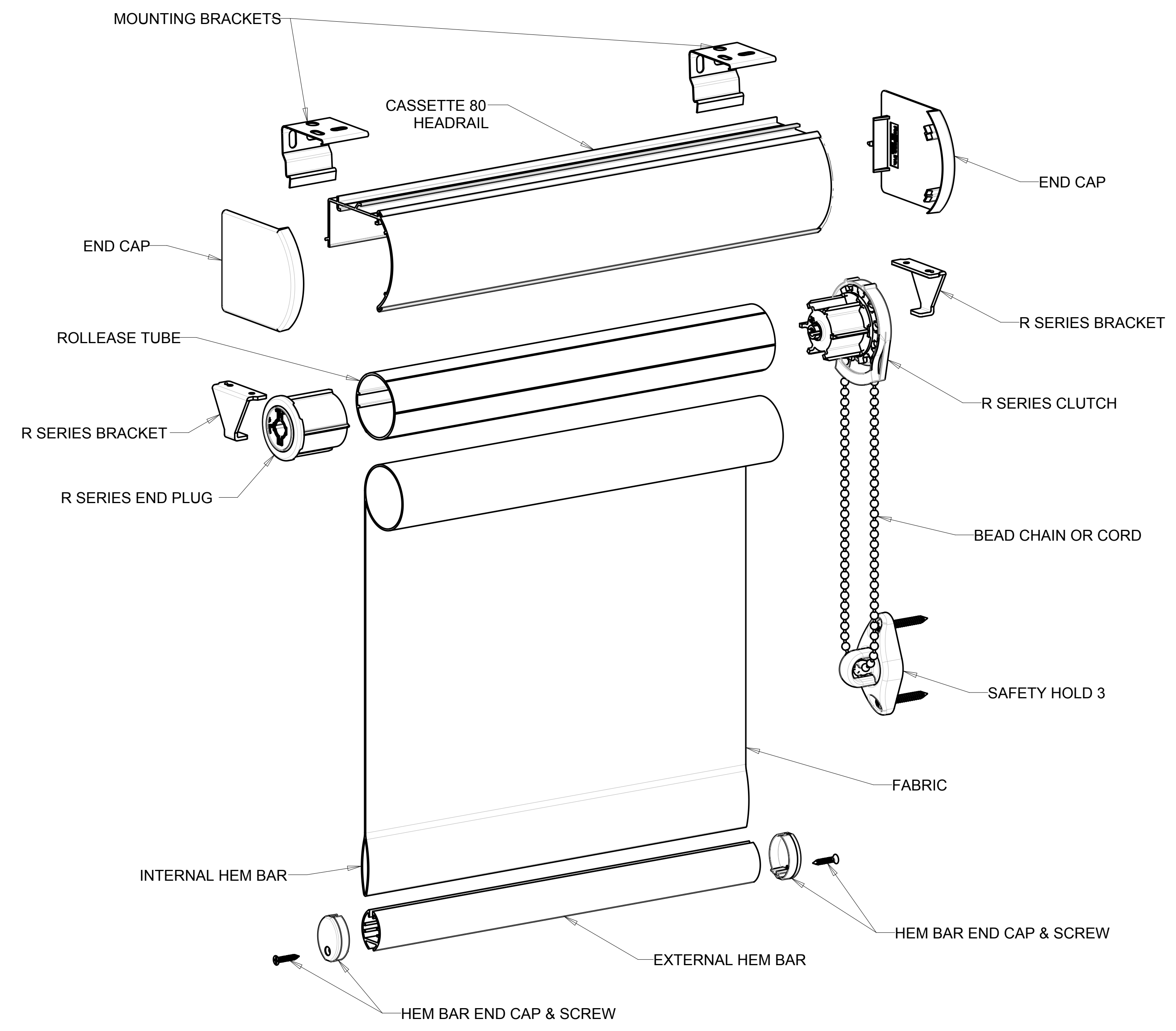
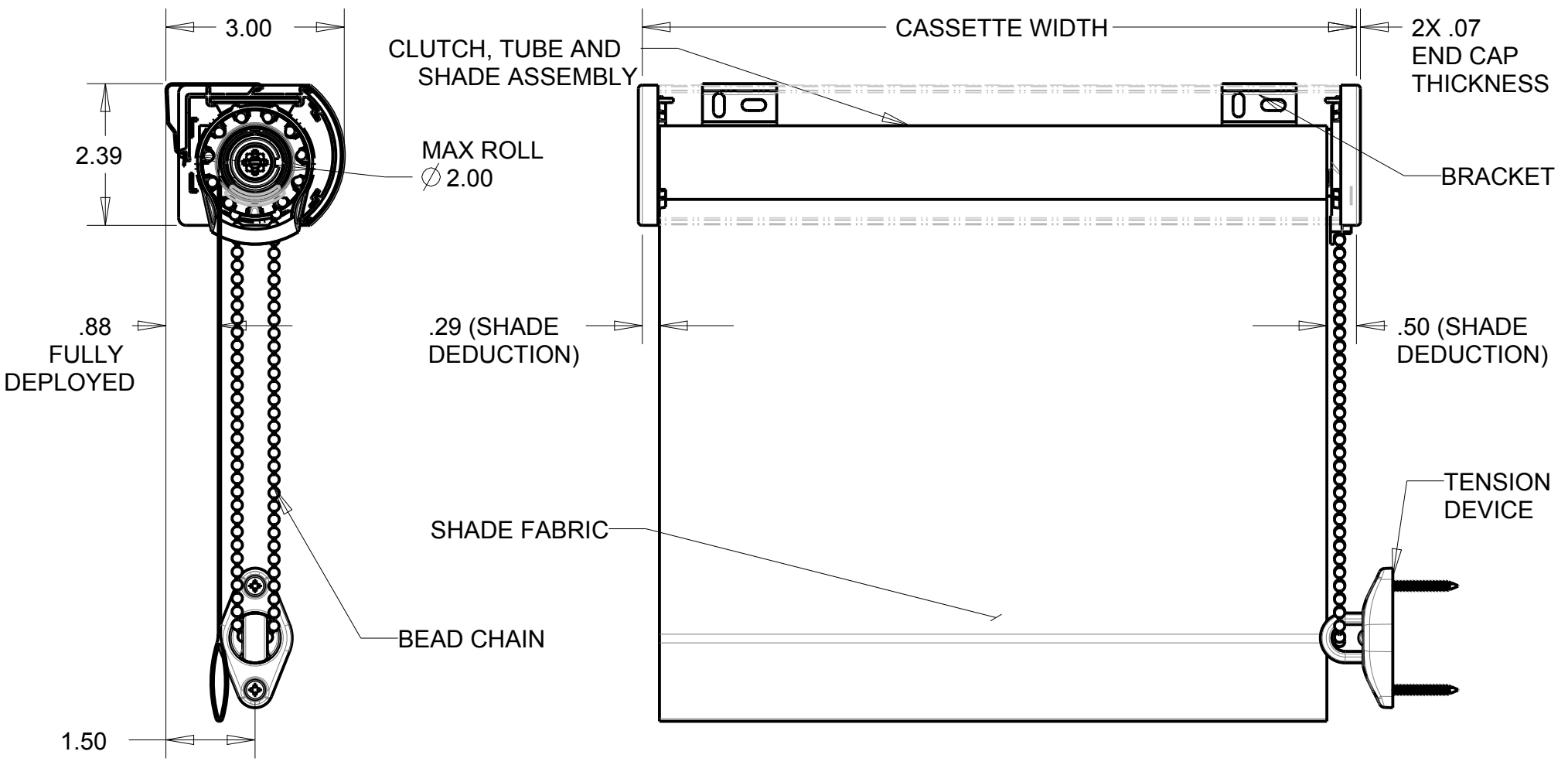


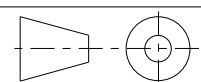
REVISION RECORD				
SYM	DESCRIPTION	BY	DATE	CHK



<small>THIS INFORMATION IS CONFIDENTIAL AND PROPRIETARY TO ROLLESE, INC. THE POSSESSOR AGREES TO MAINTAIN THIS INFORMATION AS CONFIDENTIAL, NOT REPRODUCE OR DISSEMINATE IN WHOLE OR IN PART TO ANY THIRD PARTY.</small>	INCHES	<b>RollEase</b> Window Covering Systems		
	TOLERANCES	<small>USED ON</small> X.XX ± 0.015 X.XXX ± 0.005 ANG ± 1°	<small>DATE</small> 07MAY13	<small>SCALE</small> D NTS
	<small>DESIGNED BY</small> CDC	<small>TITLE</small> R SERIES CASSETTE 80	<small>ENGINEERING DRAWING NUMBER</small> RS9	<small>DATE</small> 1
	<small>DATE</small> 07MAY13	<small>SCALE</small> D NTS	<small>ENGINEERING DRAWING NUMBER</small> RS9	<small>REV</small> 1



RollEase Headquarters  
 200 Harvard Avenue  
 Stamford, CT 06902-6320 USA  
 Office: 203.964.1573/ 800.552.5100  
 www.rollease.com



SCALE

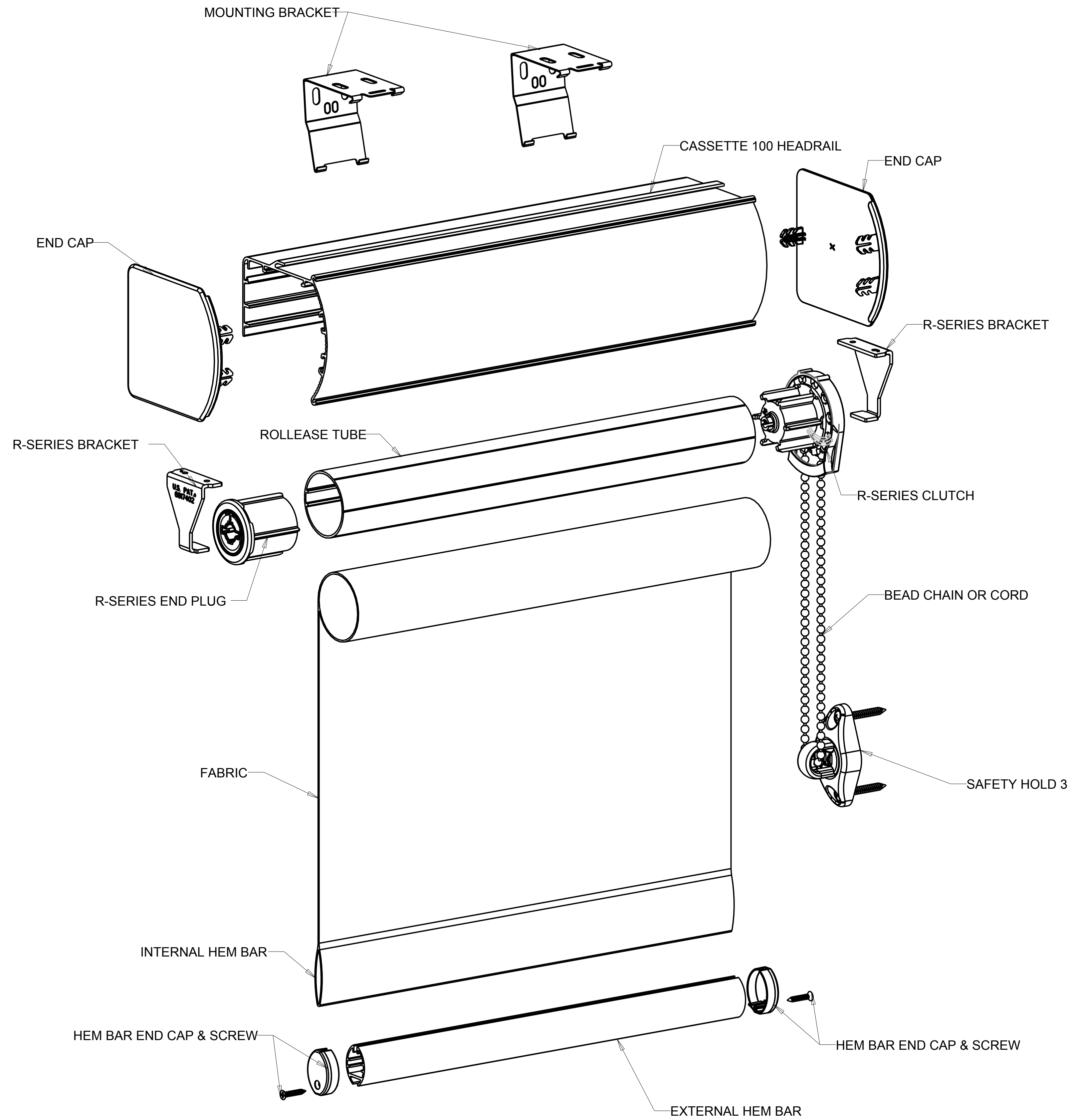
NOT TO SCALE. DIMENSIONS IN INCHES.

DRAWN BY

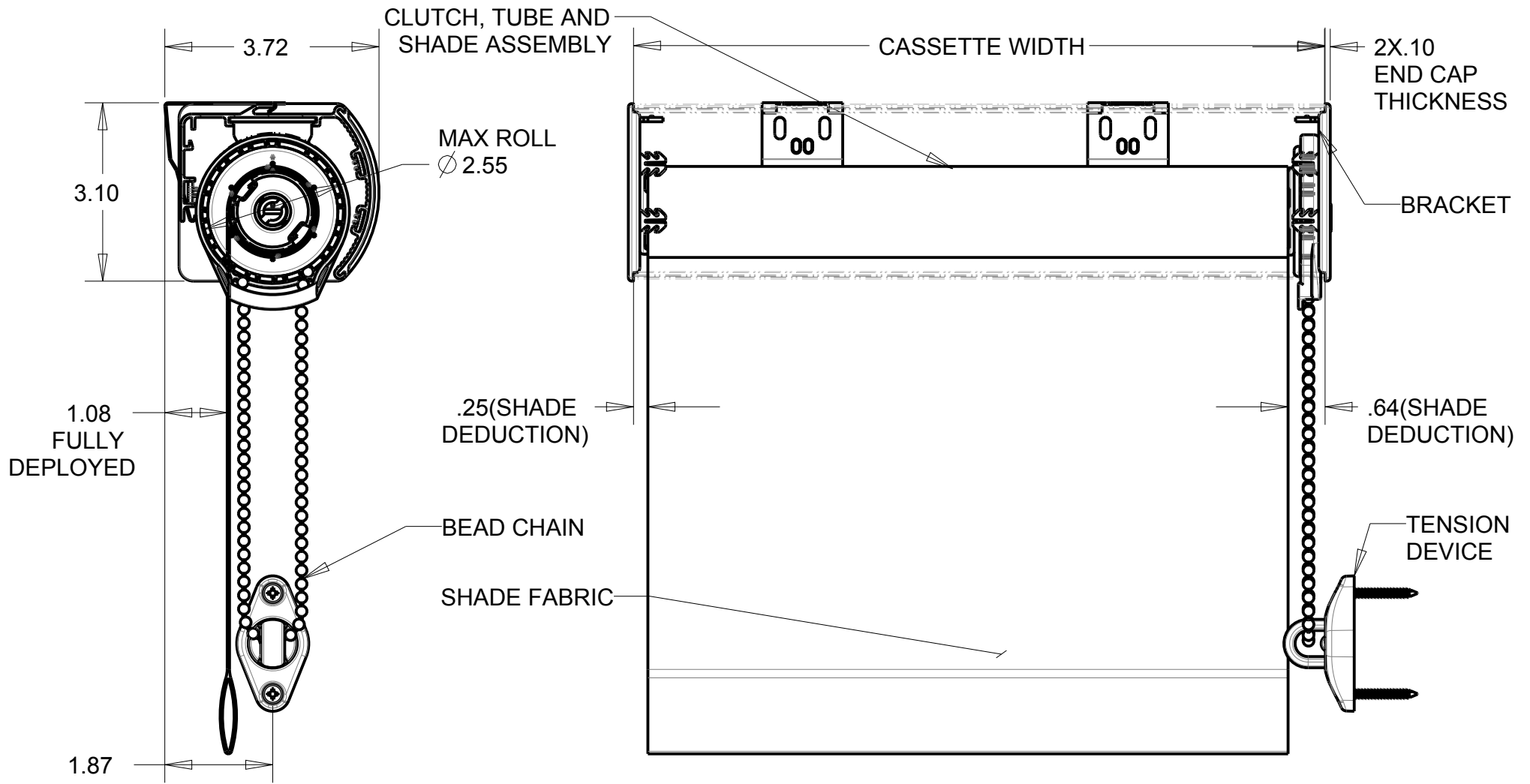
MCC

REVISION

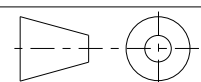
REVISION RECORD				
SYM	DESCRIPTION	BY	DATE	CHK



<small>THIS INFORMATION IS CONFIDENTIAL AND PROPRIETARY TO ROLLEASE, INC. THE POSSESSOR AGREES TO MAINTAIN THIS INFORMATION AS CONFIDENTIAL, NOT REPRODUCE OR DISSEMINATE IN WHOLE OR IN PART TO ANY THIRD PARTY.</small>	INCHES	<b>RollEase</b> Window Covering Systems		
	TOLERANCES	<small>XXX ± 0.015</small> <small>XXXX ± 0.005</small> <small>ANG ± 1°</small>	<small>DATE</small> 2/10/14	<small>SCALE</small> D
	<small>DATE</small> 2/10/14	<small>DESIGNER</small> MCC	<small>TITLE</small> R SERIES CASSETTE 100	<small>REV</small> 1.14
	<small>DATE</small> 2/10/14	<small>DESIGNER</small> MCC	<small>ENGINEERING/DRAWING NUMBER</small> A2204	<small>REV</small> 1



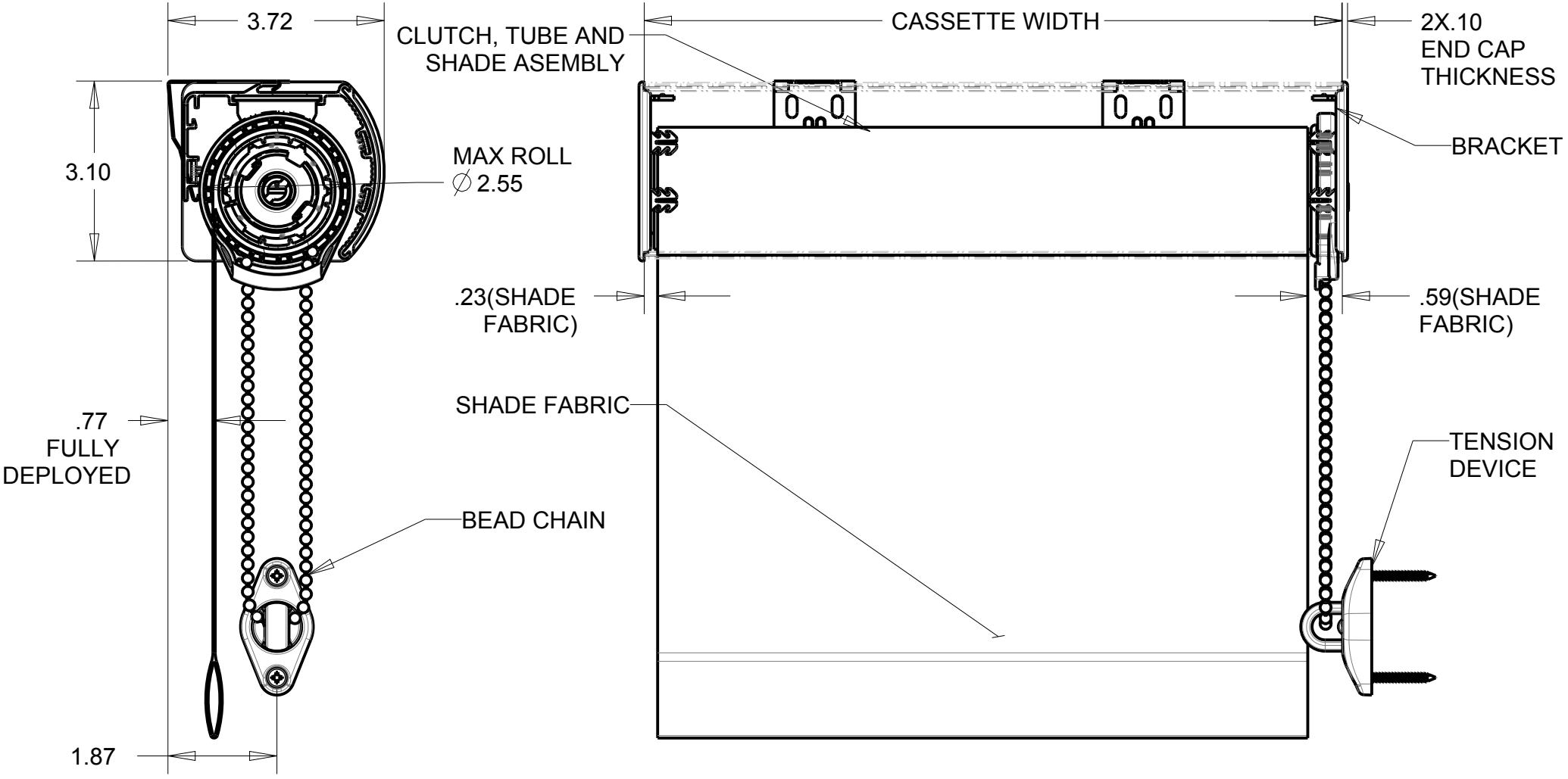
RollEase Headquarters  
 200 Harvard Avenue  
 Stamford, CT 06902-6320 USA  
 Office: 203.964.1573/ 800.552.5100  
 www.rollease.com



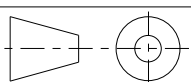
SCALE  
 NOT TO SCALE. DIMENSIONS IN INCHES.

DRAWN BY  
 MCC

REVISION  
 1



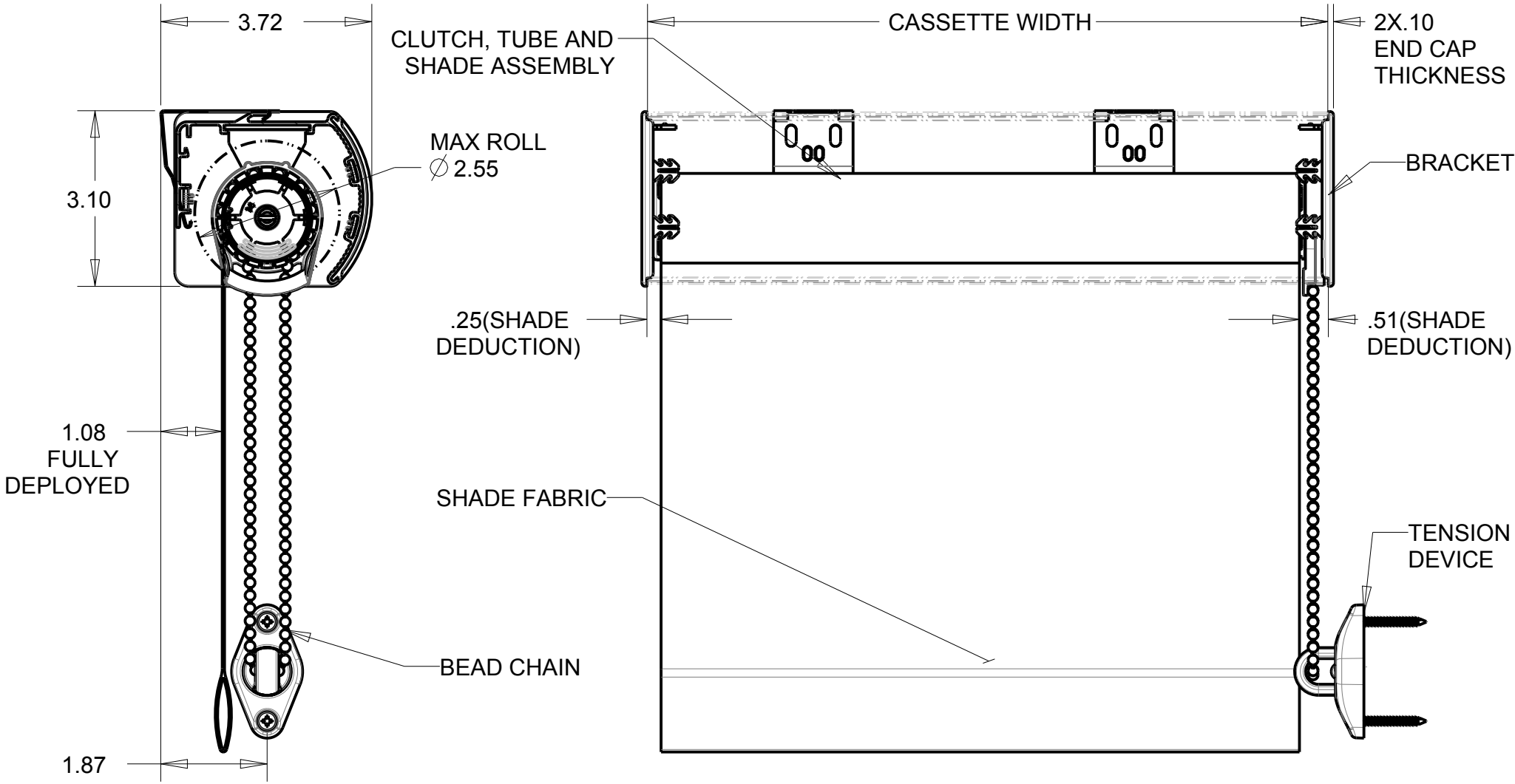
RollEase Headquarters  
 200 Harvard Avenue  
 Stamford, CT 06902-6320 USA  
 Office: 203.964.1573/ 800.552.5100  
 www.rollease.com



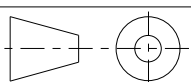
SCALE  
 NOT TO SCALE. DIMENSIONS IN INCHES.

DRAWN BY  
 MCC

REVISION  
 1



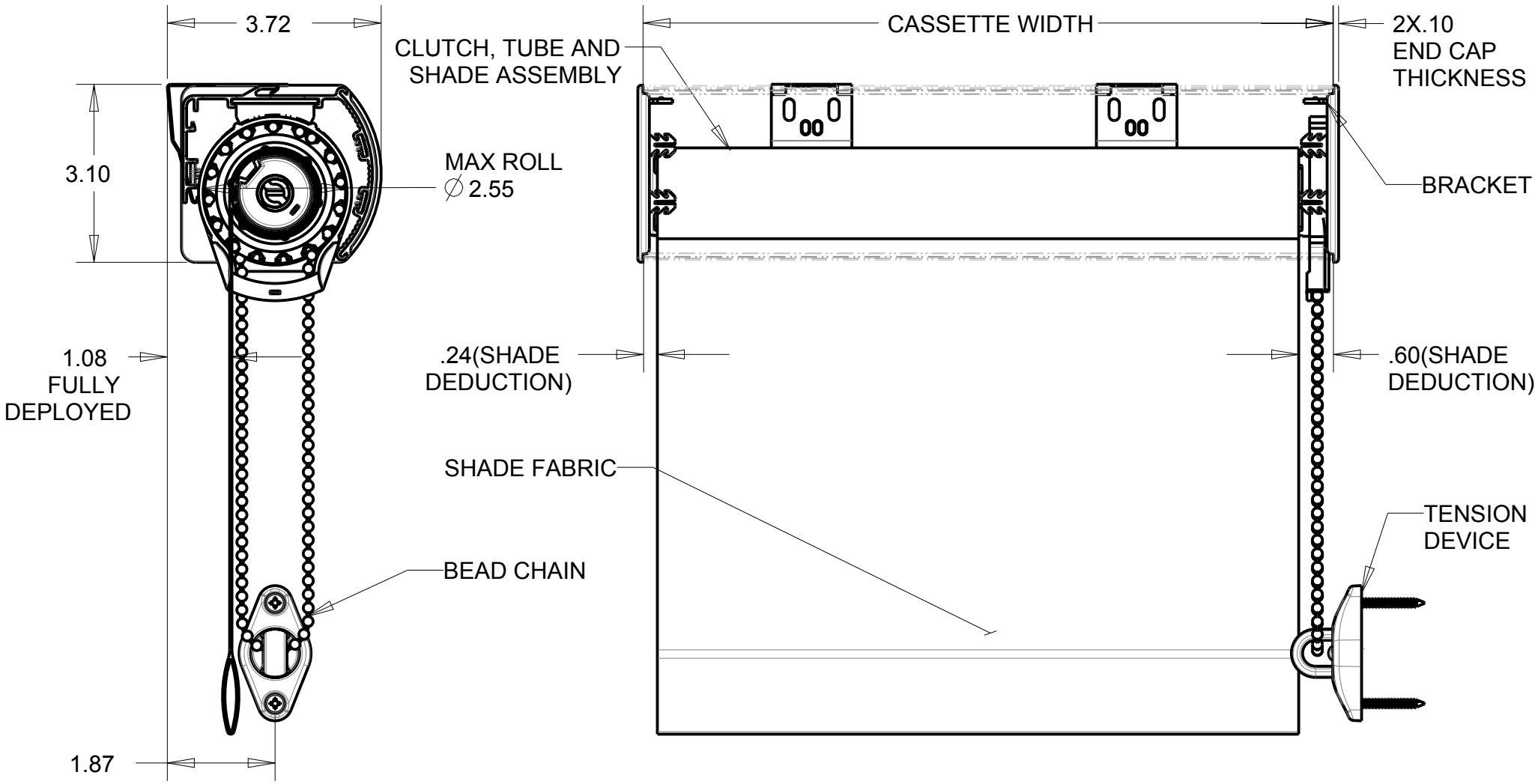
RollEase Headquarters  
200 Harvard Avenue  
Stamford, CT 06902-6320 USA  
Office: 203.964.1573/ 800.552.5100  
www.rollease.com



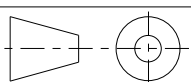
SCALE  
**NOT TO SCALE. DIMENSIONS IN INCHES.**

DRAWN BY  
MCC

REVISION  
1



RollEase Headquarters  
 200 Harvard Avenue  
 Stamford, CT 06902-6320 USA  
 Office: 203.964.1573/ 800.552.5100  
 www.rollease.com



SCALE

NOT TO SCALE. DIMENSIONS IN INCHES.

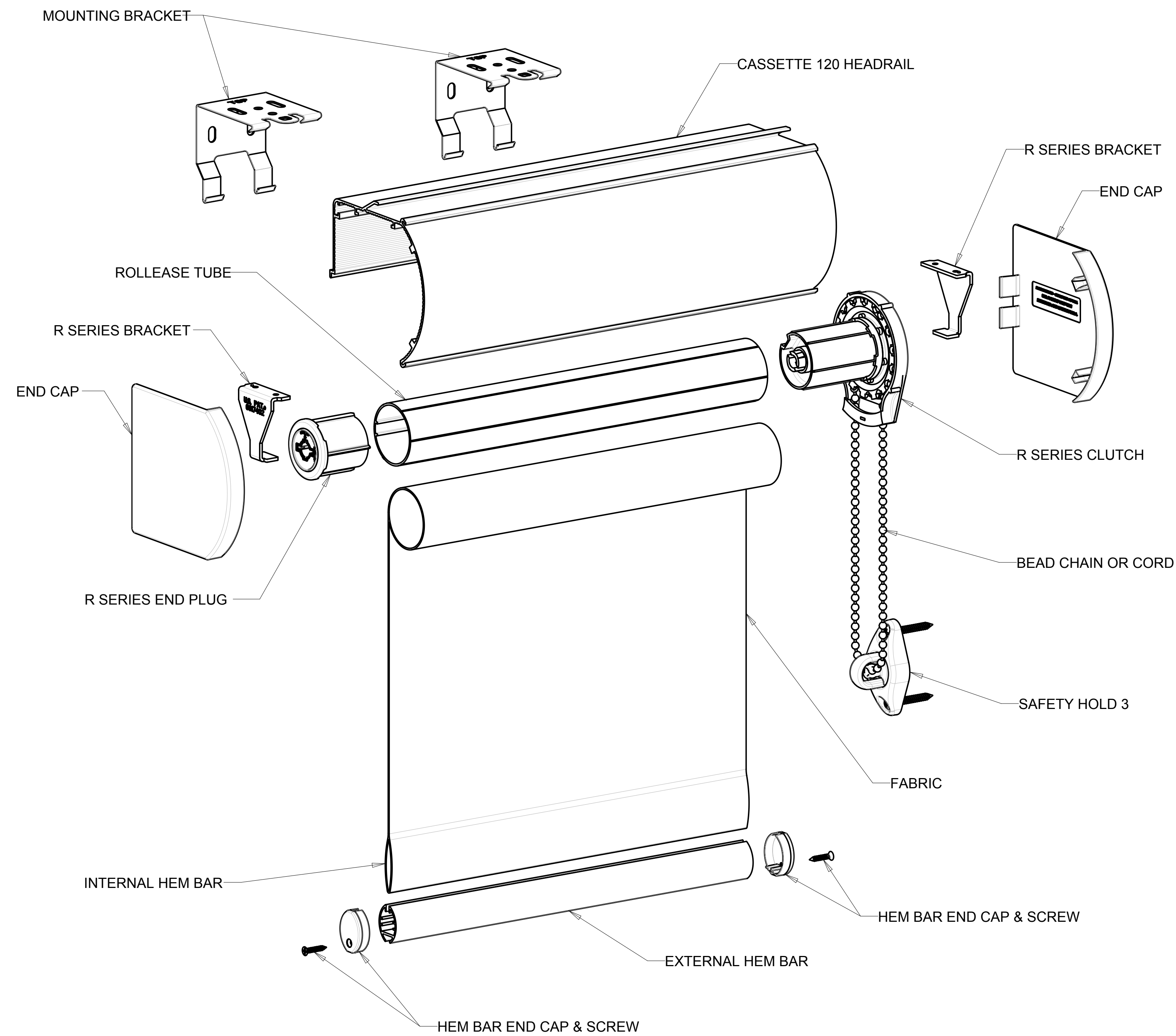
DRAWN BY

MCC

REVISION

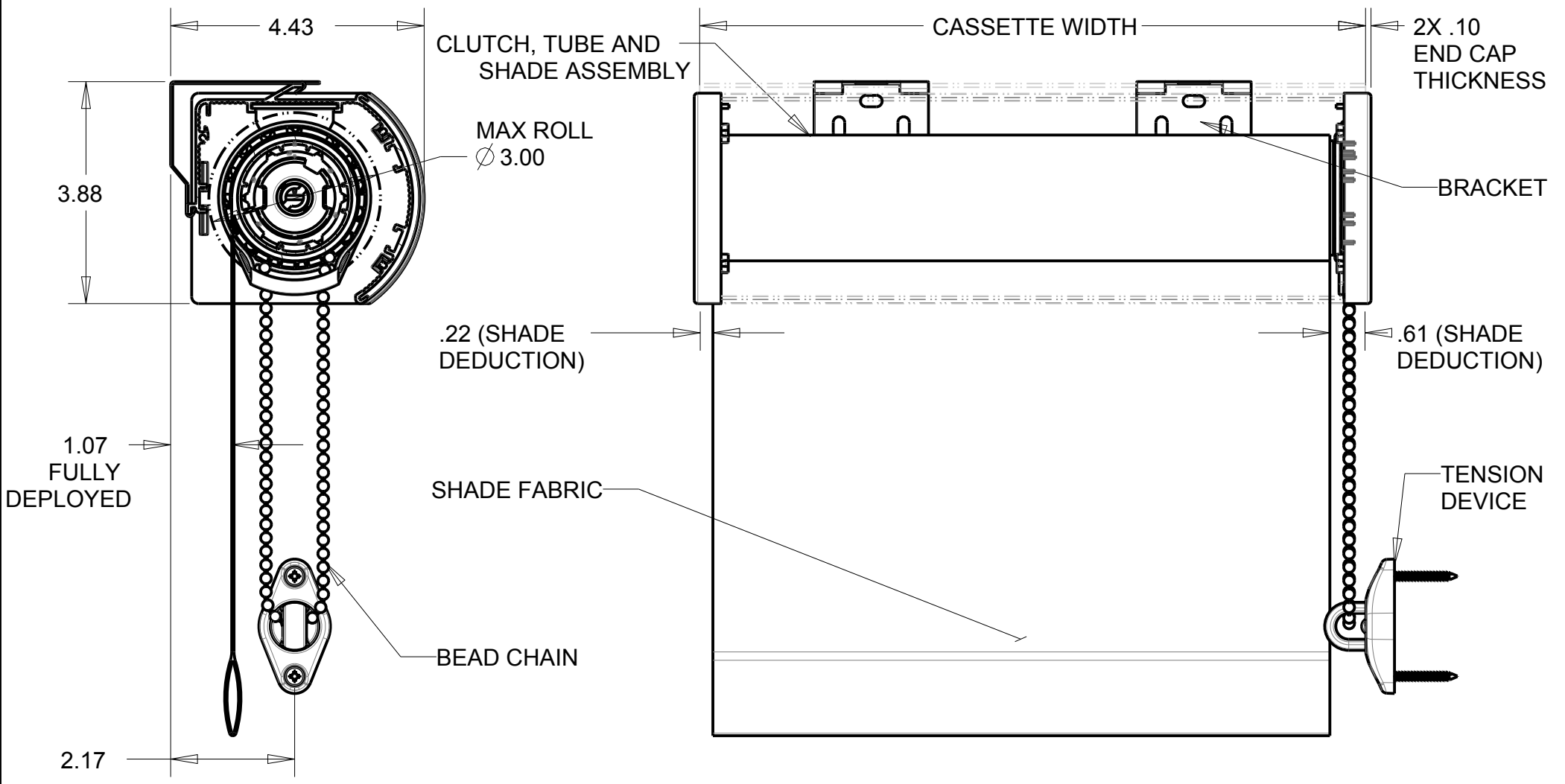
1

REVISION RECORD				
SYM	DESCRIPTION	BY	DATE	CHK

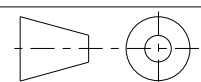


<small>THIS INFORMATION IS CONFIDENTIAL AND PROPRIETARY TO ROLLEASE, INC. THE POSSESSOR AGREES TO MAINTAIN THIS INFORMATION AS CONFIDENTIAL, NOT REPRODUCE OR DISSEMINATE IN WHOLE OR IN PART TO ANY THIRD PARTY.</small>	INCHES	<b>RollEase</b> Window Covering Systems		
	TOLERANCES	<small>XXX ± 0.015</small> <small>XXXX ± 0.005</small> <small>ANG ± 1°</small>	<small>DESIGNED BY</small> CDC	<small>TITLE</small> R SERIES CASSETTE 120
	<small>DATE</small> 13MAY13	<small>SCALE</small> D NTS	<small>ENGINEERING DRAWING NUMBER</small> RS10	<small>SCALE</small> 1.15
				<small>REV</small> 1





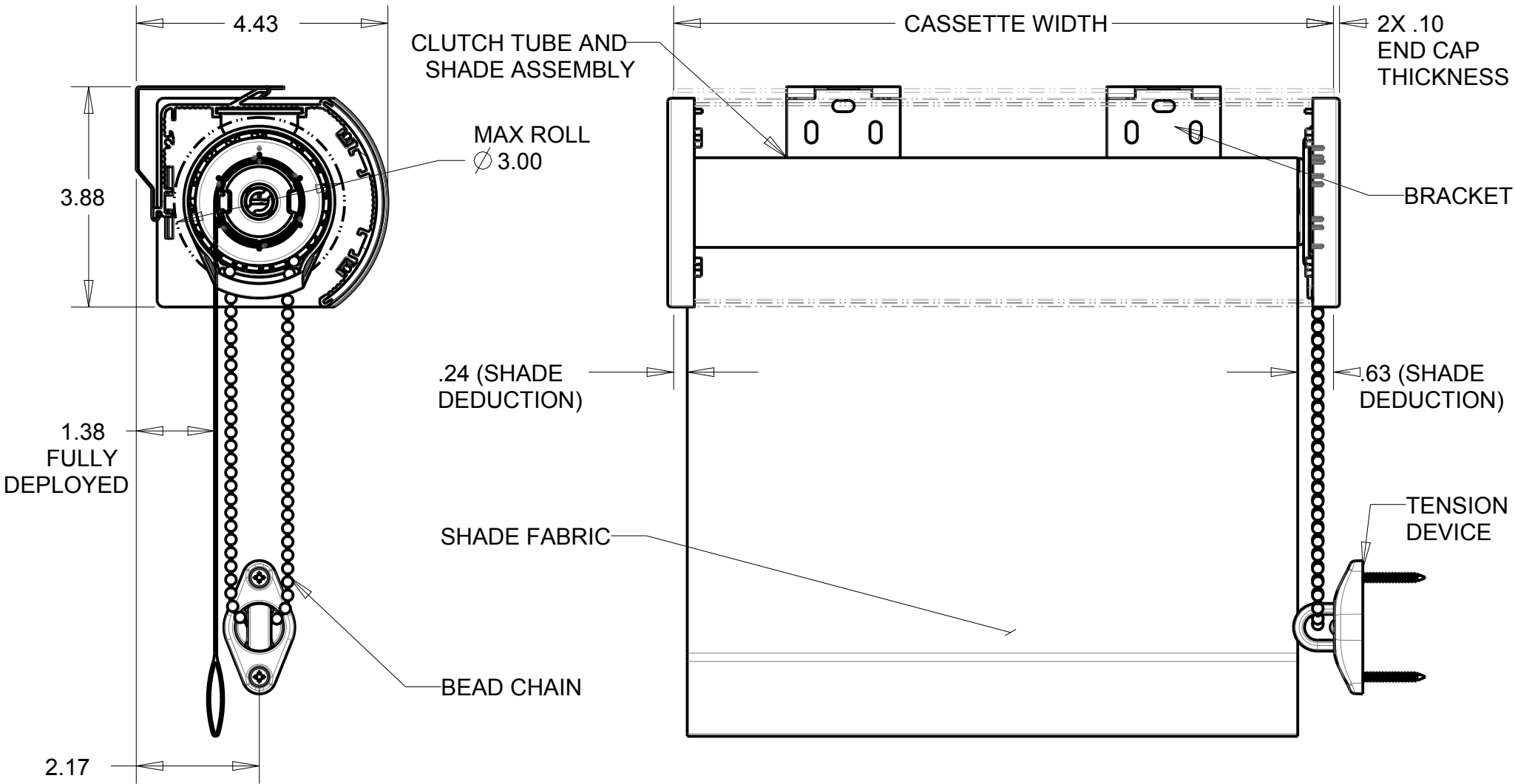
RollEase Headquarters  
200 Harvard Avenue  
Stamford, CT 06902-6320 USA  
Office: 203.964.1573/ 800.552.5100  
www.rollease.com



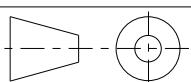
SCALE  
NOT TO SCALE. DIMENSIONS IN INCHES.

DRAWN BY  
MCC

REVISION  
1



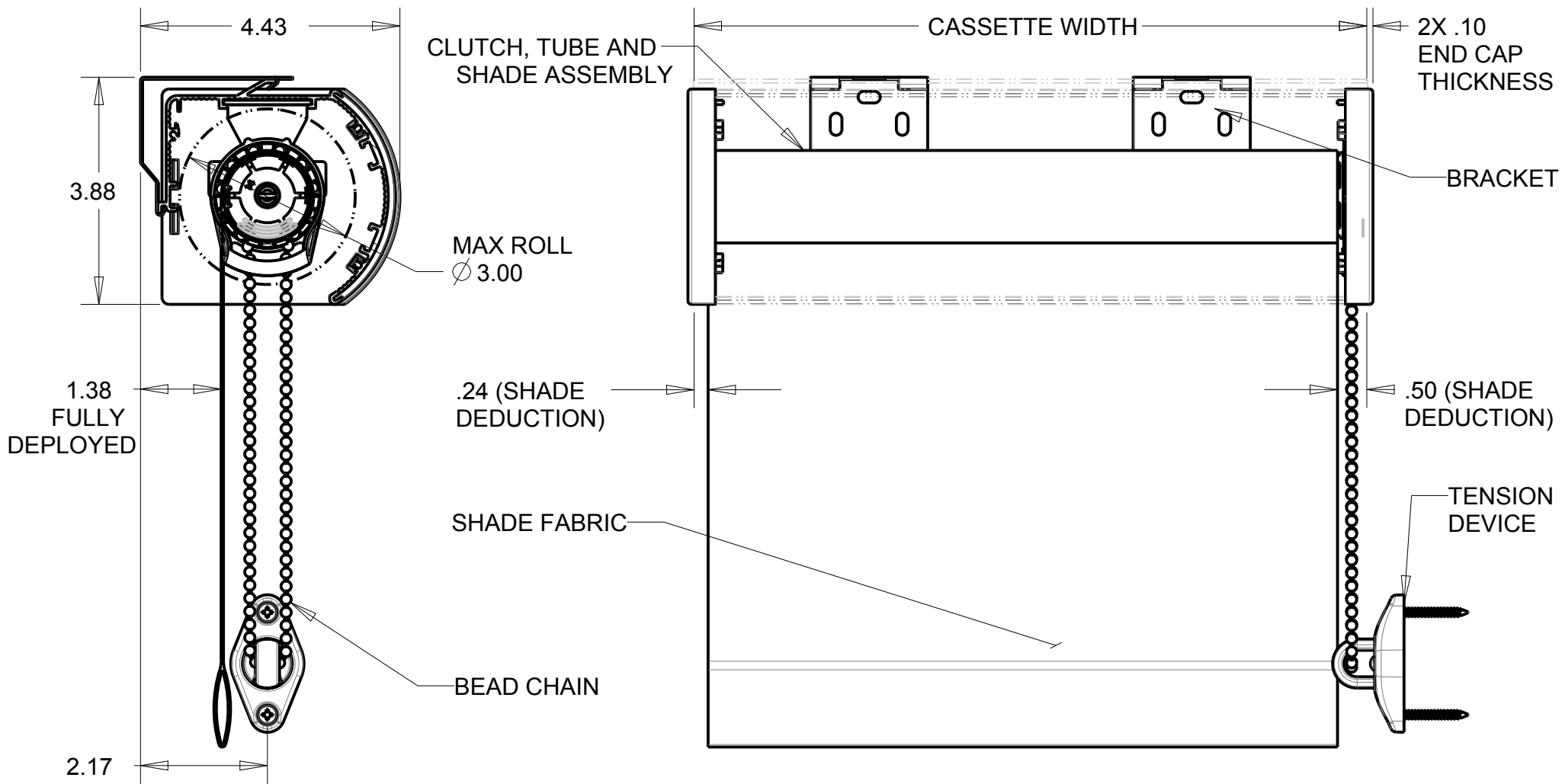
RollEase Headquarters  
 200 Harvard Avenue  
 Stamford, CT 06902-6320 USA  
 Office: 203.964.1573/ 800.552.5100  
 www.rollease.com



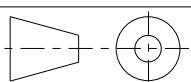
SCALE  
 NOT TO SCALE. DIMENSIONS IN INCHES.

DRAWN BY  
 MCC

REVISION  
 1



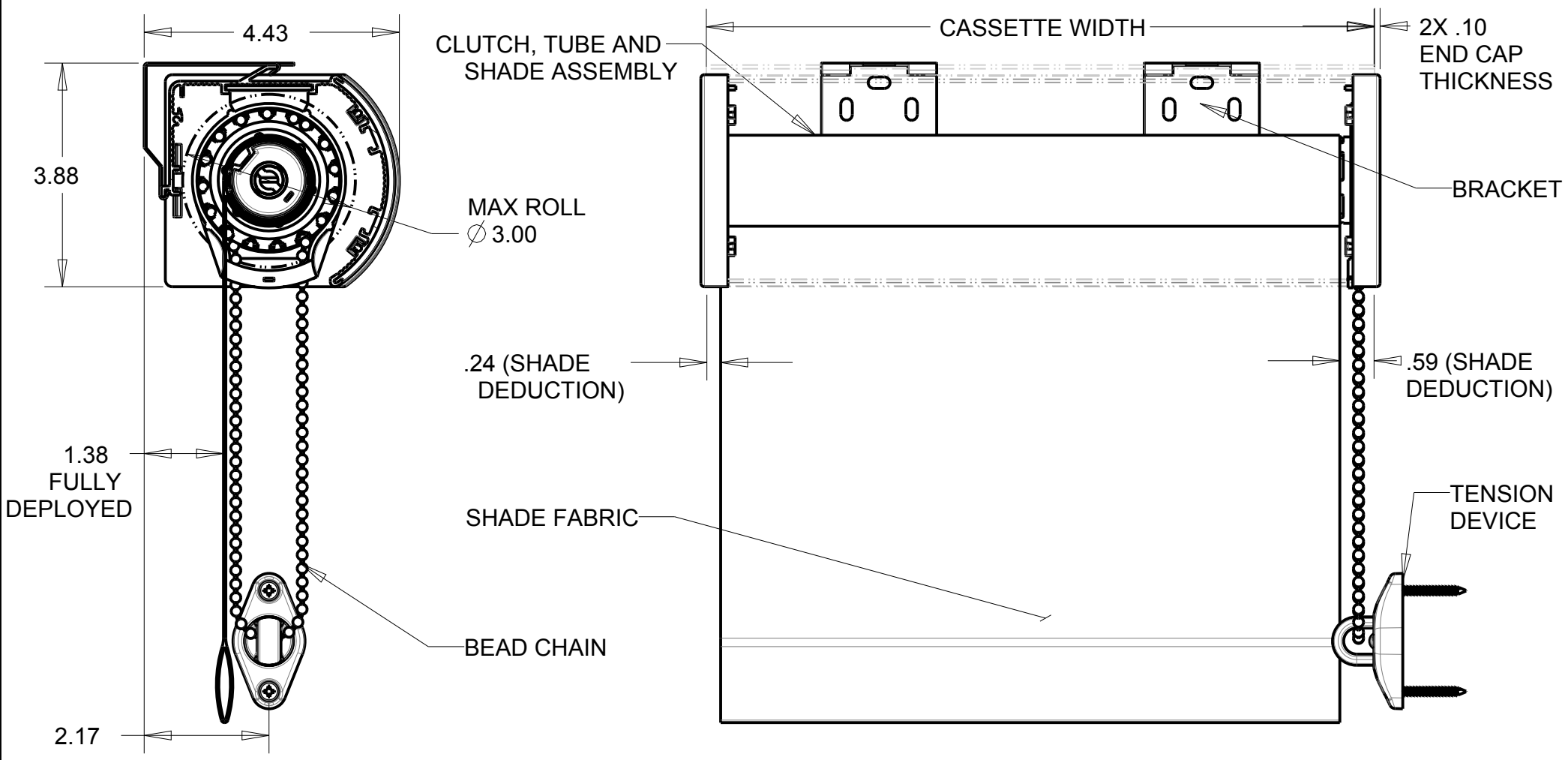
RollEase Headquarters  
 200 Harvard Avenue  
 Stamford, CT 06902-6320 USA  
 Office: 203.964.1573/ 800.552.5100  
 www.rollease.com



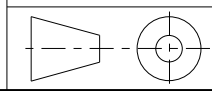
SCALE  
 NOT TO SCALE. DIMENSIONS IN INCHES.

DRAWN BY  
 MCC

REVISION  
 1



RollEase Headquarters  
200 Harvard Avenue  
Stamford, CT 06902-6320 USA  
Office: 203.964.1573/ 800.552.5100  
www.rollease.com

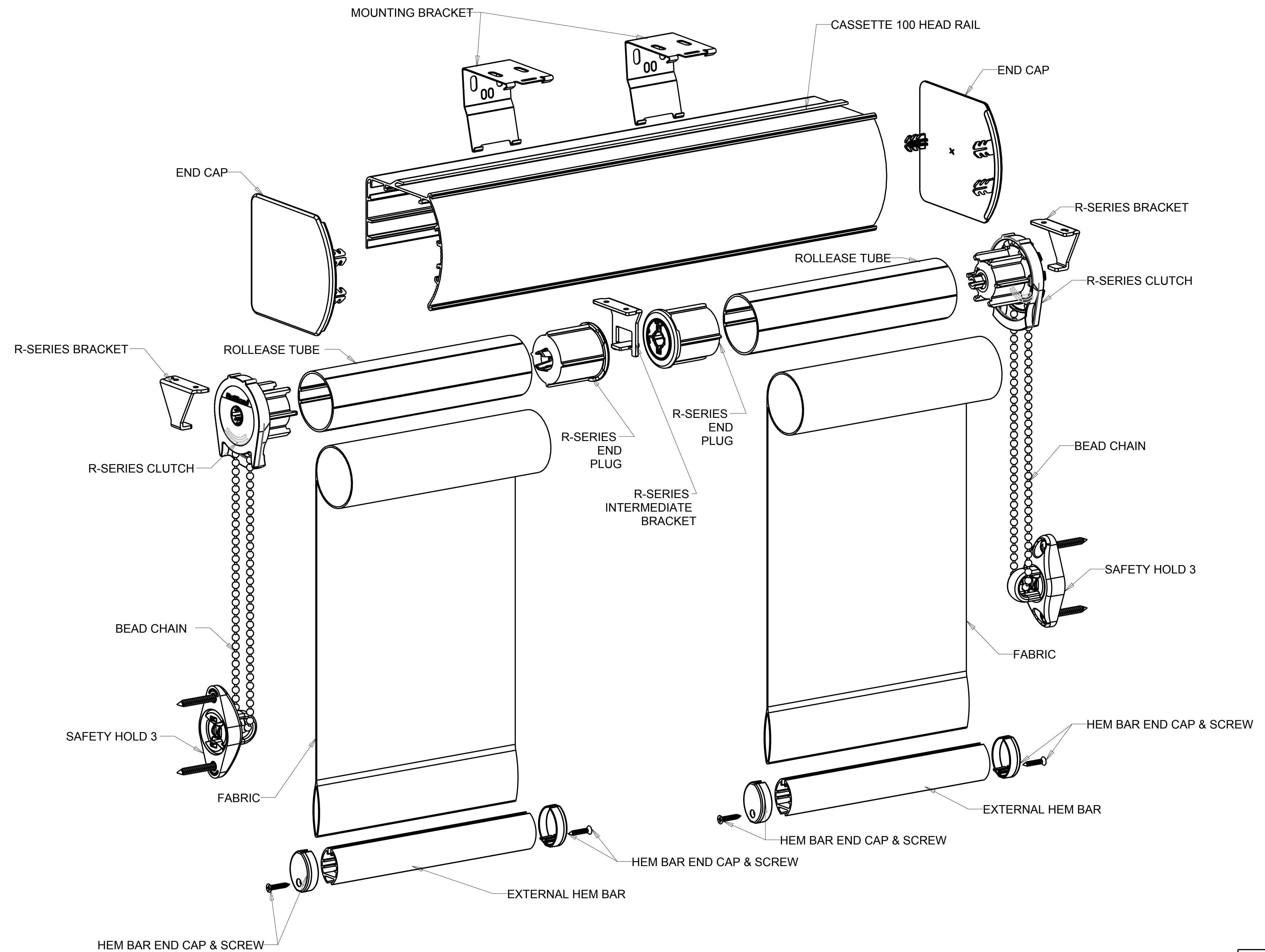


SCALE  
NOT TO SCALE. DIMENSIONS IN INCHES.

DRAWN BY  
MCC

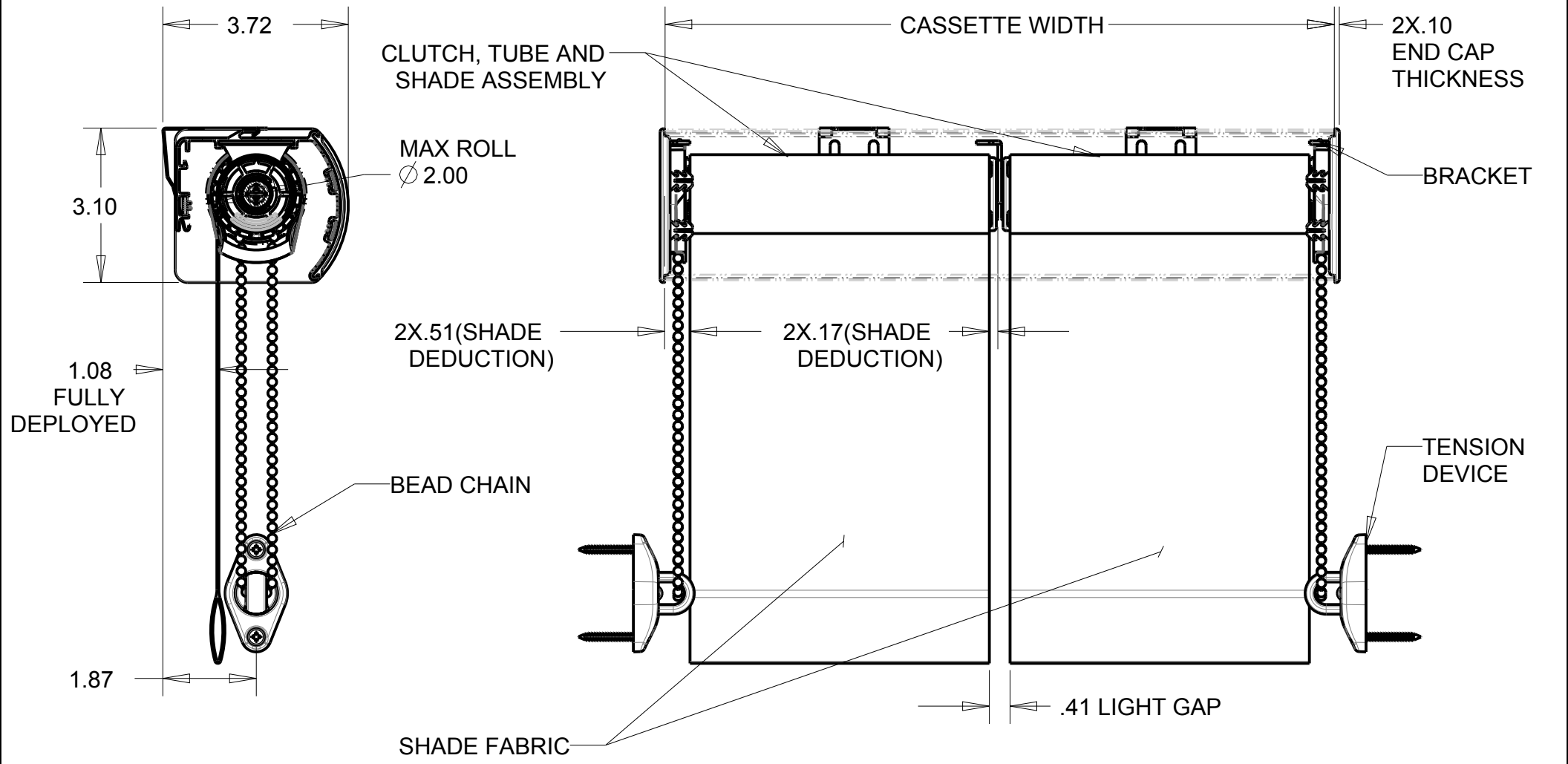
REVISION  
1

REVISION RECORD				
SYM	DESCRIPTION	BY	DATE	CHK

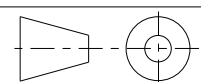


<small>THIS INFORMATION IS CONFIDENTIAL AND PROPRIETARY TO ROLLEASE, INC. THE POSSESSOR AGREES TO MAINTAIN THIS INFORMATION AS CONFIDENTIAL, NOT REPRODUCING OR DISSEMINATING IN WHOLE OR IN PART TO ANY THIRD PARTY.</small>	<b>INCHES</b>	<b>RollEase®</b> RollEase, Inc. STAMFORD, CT	
	TOLERANCES	Window Covering Systems	
	.XX ± .015 .XXX ± .005 ANG ± 1°	DESIGNED BY <b>MCC</b>	DATE <b>D</b>
	DATE	SCALE	REV. NO. <b>A2208</b>

ROLLEASE MULTIPLE INLINE SHADES WITH CASSETTE 100



RollEase Headquarters  
 200 Harvard Avenue  
 Stamford, CT 06902-6320 USA  
 Office: 203.964.1573/ 800.552.5100  
 www.rollease.com



SCALE  
**NOT TO SCALE. DIMENSIONS IN INCHES.**

DRAWN BY  
**MCC**

REVISION