

EASY SPRING WAND

Rollease Acmeda Easy Spring Wand single roller system offers a high quality, aesthetically pleasing and technologically advanced Wand or Shade controlled solution. The shade will open to your preferred top location in a smooth and controlled motion, with one simple touch.

AESTHETICAL FEATURES

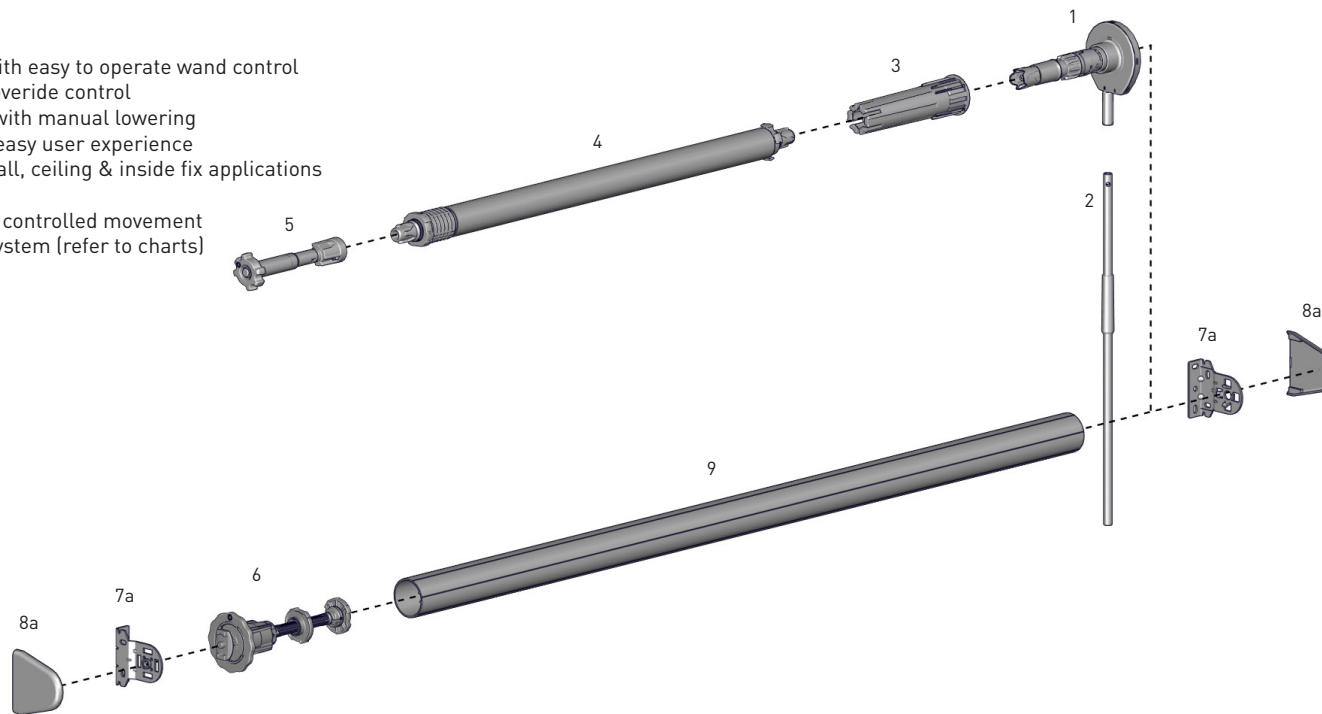
- Minimal light gaps
- Color matched bracket covers provide a neat overall finish
- Alternative cassette upgrade
- Clean installation without chain or tensioner

PRODUCTION / ASSEMBLY FEATURES

- Easy Pre-tensioning through control bracket
- Single Top Limit Setting function, simple and intuitive to set the limit
- Color coded LH & RH hardware for quick & easy assembly
- Universal Single Stop Limiter for both orientations

FUNCTIONAL BENEFITS

- Premium child safety with easy to operate wand control
- Alternative weight bar override control
- Auto-rise functionality with manual lowering
- Top limit setting for an easy user experience
- Can be installed onto wall, ceiling & inside fix applications
- Patent protected
- Decelerator for smooth controlled movement
- Compatible with Link System (refer to charts)



SYSTEM INDEX

1	Wand Control
	RB12-3301-xxx138 LH
	RB12-3301-xxx238 RH
2	Wand
	RB12-9001-xxx090
3	Connector
	RB12-xx10-xxx0xx - 1.5"/S45
4	Booster Uni.
	RB12-xx00-2690xx - 1.5"/S45 Short
	RB12-xx01-0690xx - 1.5"/S45 Light
	RB12-xx02-3380xx - 1.5"/S45 Standard
	RB12-4503-050045 - S45 Heavy Duty
5	Booster Decelerator
	RB12-7102-1902xx - 1.5"/S45 RH
	RB12-7101-3931xx - 1.5"/S45 LH
6	Limiter - Single Stop Universal
	RB12-6101-xxx0xx - 1.5"/S45
7a	Skyline STD Bracket - Single Stop Limiter 1.5"
	RB12-2501-xxx138
b	Single Stop Limit LX Bracket
	RB12-2503-xxx140
8a	Skyline Bracket Cover
	SLBCxx
b	VX/LX Bracket Cover Caps S40/45
	RB08-4151-xxx040
9a	Rollease Tube + M/P Tape 38mm
	RTEA-4T05-000580
b	T-Spline Aluminium Tube S45
	RB93-044x-000580

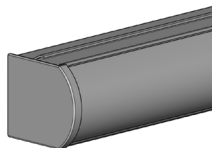
COLOR RANGE



pure white
069

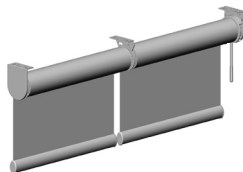
SYSTEM UPGRADES

Cassette 100/120

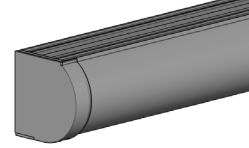


USE 1.5" CASSETTE 100/120 BRACKETS

Link System



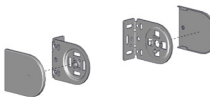
CF90



USE VX/LX BRACKETS

PRODUCT OPTIONS

S45 Roller Shade
(refer catalog)

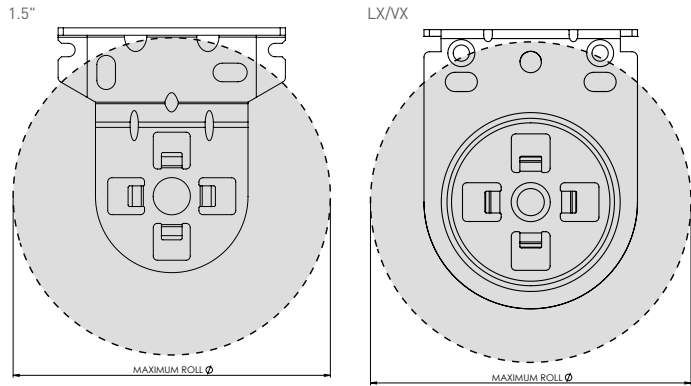


Mounting Rail



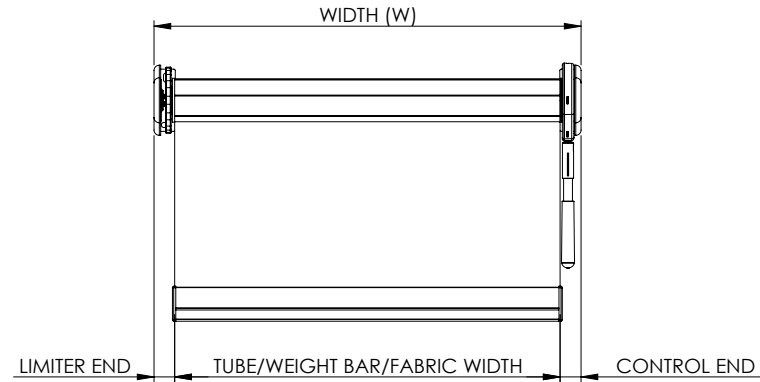
USE VX/LX BRACKETS

MAX ROLL



MAXIMUM ROLL SIZE CHART		
1.5" Bracket	78mm	3.071"
VX/LX withOUT Mounting Rail	78mm	3.071"
VX/LX with Mounting Rail	72mm	2.835"

DEDUCTION



CONTROL TYPE	CONTROL END		LIMITER END		
	With Covers	WithOUT Covers	With Covers	WithOUT Covers	
1.5"	1.5" + SL Bracket	20mm [0.79"]	18mm [0.71"]	20mm [0.79"]	18mm [0.71"]
	Cassette 100/120 Bracket	17mm [0.67"]	15mm [0.59"]	21mm [0.83"]	18mm [0.71"]
S45	VX/LX	17mm [0.67"]	16mm [0.63"]	19mm [0.75"]	18mm [0.71"]
	CF90	20mm [0.79"]		22mm [0.87"]	

SYSTEM CAPACITY

DROP		WIDTH																ft		
		2	3	4	5	6	7	8	9	10	11	12	13	ft						
ft	m	0.6	0.8	1.0	1.2	1.4	1.6	1.8	2.0	2.2	2.4	2.6	2.8	3.0	3.2	3.4	3.6	3.8	4.0	m
2	0.6																			
	0.8																			
	1.0																			
4	1.2																			
	1.4																			
	1.6																			
6	1.8																			
	2.0																			
	2.2																			
8	2.4																			

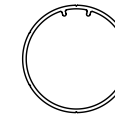
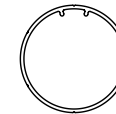
LEGEND	DESCRIPTION
[Light Blue]	1.5" (38mm) & S45 All Tubes
[Medium Blue]	S45 All S45 Tubes & 1.5" (38mm) Easy Link/Infinite Link
[Dark Blue]	S45 STD/HD & 1.5" (38mm) Easy Link/Infinite Link
[Black]	S45 HD & 1.5" (38mm) Easy Link/Infinite Link
[Yellow]	1.5" (38mm) & S45 STD Linked Systems (Single Blinds Only)
[Grey]	Cannot be achieved - outside product specifications

*Minimum Blind Width = 750mm [29.5"]

TUBE SPECS

USA

AU/EU

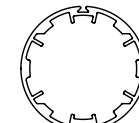
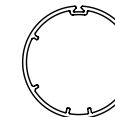
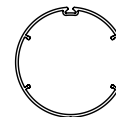


1-1/2" Release Tube + M/P Tape

Code: RTEA4T
 OD: 38.6mm [1.5"]
 Length: 3.7m [12ft], 4.9m [16ft]

1-1/2" Release Tube + M/P Tape

Code: RTEA-4T05-000LLL
 OD: 38.6mm [1.5"]
 Length: 5.8m [19.029ft]



S45 LIGHT T-Spline Tube

Code: RB93-0443-000LLL
 RB93-6443-000LLL (with D/S tape)
 OD: 43mm [1.69"]
 Length: 5.8m [19.029ft]

S45 STANDARD T-Spline Tube

Code: RB93-0444-000LLL
 RB93-6444-000LLL (with D/S tape)
 OD: 44mm [1.73"]
 Length: 5.8m [19.029ft]

S45 HEAVY DUTY T-Spline Tube

Code: RB93-0449-000LLL
 RB93-6449-000LLL (with D/S tape)
 OD: 49mm [1.92"]
 Length: 5.8m [19.029ft]