

EASY SPRING ULTRA - 1.5"

Rollease Acmeda Easy Spring Ultra single roller system offers a high quality, aesthetically pleasing and technologically advanced spring controlled solution. The blind will open to your preferred top location in a smooth and controlled motion, with one simple touch.

AESTHETIC FEATURES

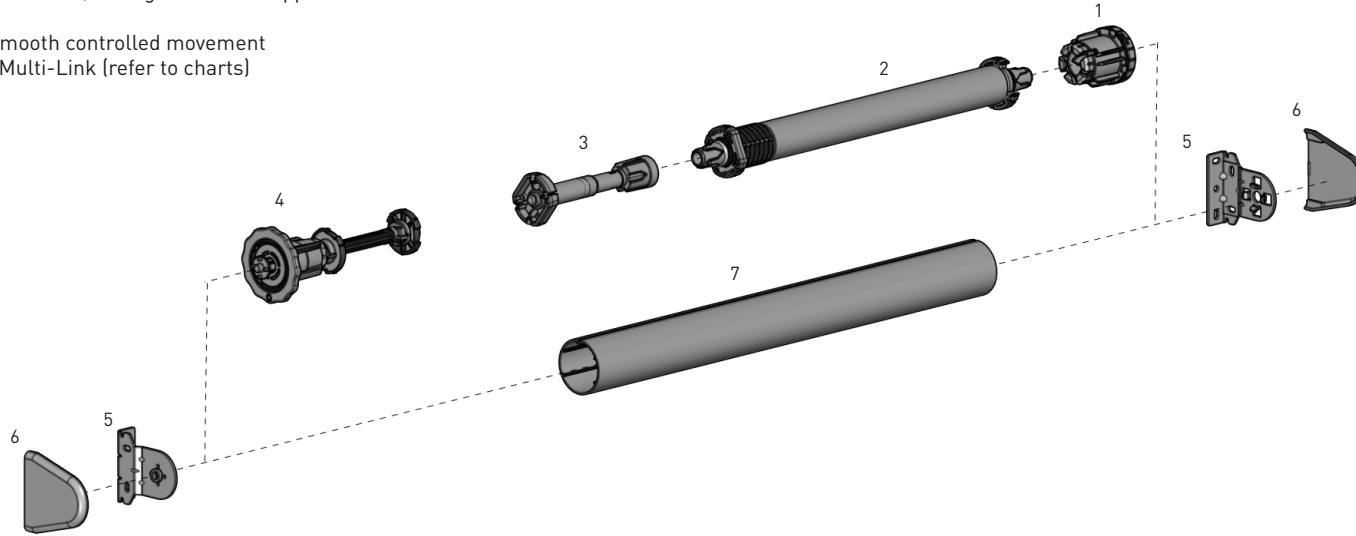
- Minimal light gaps
- Color matched bracket covers provide a neat overall finish
- Round enclosed headbox

PRODUCTION / ASSEMBLY FEATURES

- Pre-tensioning through Spring Head Control
- Single Top Limit Setting function, simple and intuitive to set the limit
- Color coded LH & RH hardware for quick & easy assembly
- Universal Single Stop Limiter for both orientations

FUNCTIONAL BENEFITS

- Auto-rise functionality with manual lowering
- Top limit setting for an easy user experience
- Can be installed onto wall, ceiling & inside fix applications
- Patent protected
- Decelerator for smooth controlled movement
- Compatible with Multi-Link (refer to charts)



SYSTEM INDEX

1	Spring Control
	RB12-3200-xxx038 - 1.5"
2	Booster Uni.
	RB12-3800-269038 - 1.5" Short
	RB12-3801-069038 - 1.5" Light
	RB12-3802-338038 - 1.5" Standard
3	Booster Decelerator
	RB12-7102-xxx238 - 1.5" RH
	RB12-7101-xxx138 - 1.5" LH
4	Limiter - Single Stop Universal
	RB12-6000-xxx038 - 1.5"
5	Skyline STD Bracket - Single Stop Limiter 1.5"
	RB12-2501-xxx038
6	Skyline Bracket Cover
	SLBC
7	Rollease Tube + M/P Tape 38mm
	RTEA-4T05-000580

xxx= colour

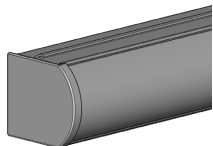
COLOR RANGE



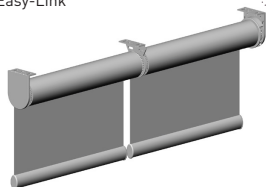
pure white
069

SYSTEM UPGRADES

Cassette 100/120

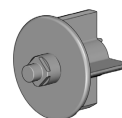


Easy-Link



PRODUCT OPTIONS

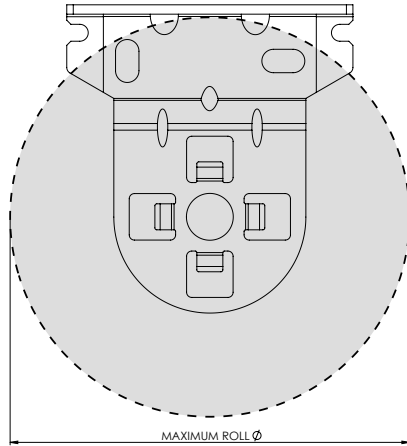
Economy Idler



S45 Roller Shade system
[refer catalog]

SPECIFICATIONS

MAX ROLL



MAXIMUM ROLL Ø

MAXIMUM ROLL SIZE CHART

1.5" Bracket	78mm	3.071"
--------------	------	--------

DEDUCTION



CONTROL TYPE	CONTROL END		LIMITER END	
	With Covers	WithOUT Covers	With Covers	WithOUT Covers
1.5" + SL Bracket	18mm [0.71"]	16mm [0.63"]	20mm [0.79"]	18mm [0.71"]
Cassette 100/120	15mm [0.59"]	13mm [0.51"]	21mm [0.83"]	18mm [0.71"]

SYSTEM CAPACITY

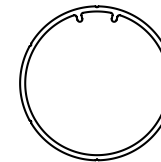
DROP		WIDTH																		
		2	3	4	5	6	7	8	9	10	11	12	13	ft						
ft	m	0.6	0.8	1.0	1.2	1.4	1.6	1.8	2.0	2.2	2.4	2.6	2.8	3.0	3.2	3.4	3.6	3.8	4.0	m
2	0.6																			
	0.8																			
	1.0																			
4	1.2																			
	1.4																			
	1.6																			
6	1.8																			
	2.0																			
	2.2																			
8	2.4																			

LEGEND	DESCRIPTION
	1.5" [38mm]
	1.5" [38mm] Multi-Link
	Cannot be achieved - outside product specifications

*Minimum Blind Width = 660mm [26"]

TUBE SPECS

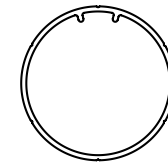
USA



1-1/2" Release Tube + M/P Tape

Code: RTEA4T
 OD: 38.6mm [1.5"]
 Length: 3.7m [12ft], 4.9m [16ft]

AU/EU



1-1/2" Release Tube + M/P Tape

Code: RTEA-4T05-000LLL
 OD: 38.6mm [1.5"]
 Length: 5.8m [19.029ft]