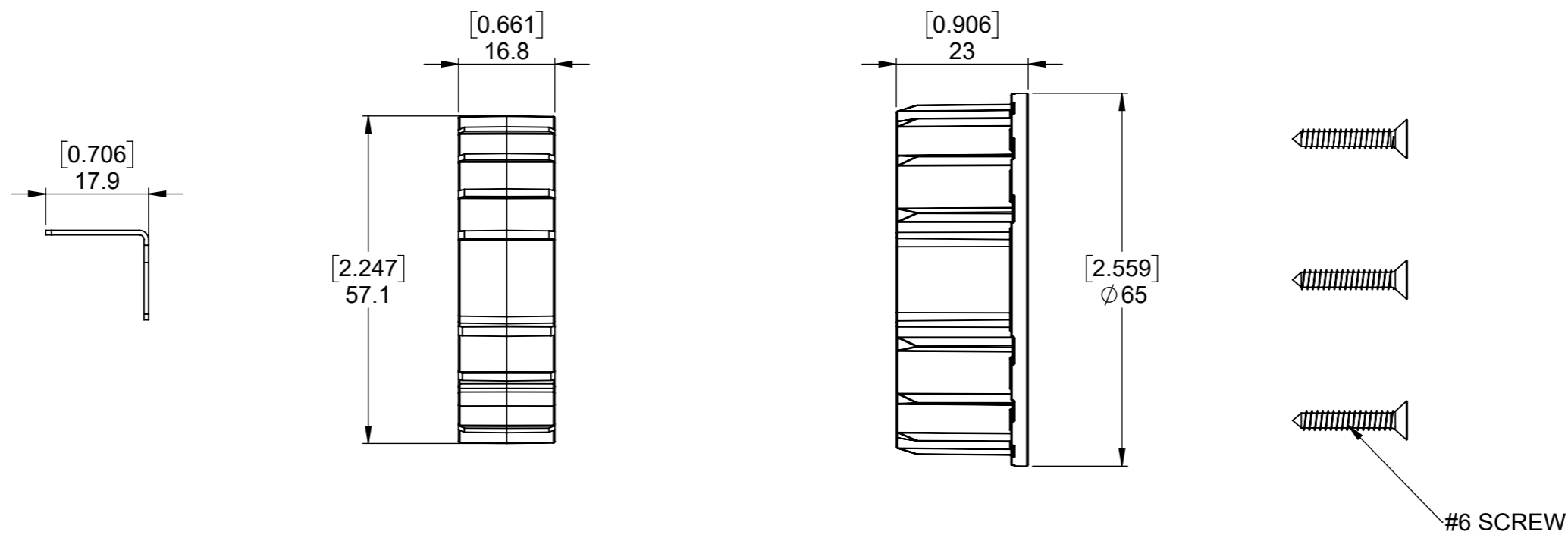


SCALE 1:2



NOTES:  
1. 6 PIECES TOTAL SUPPLIED

## PRODUCT SPECIFICATION SHEET

ITEM DESCRIPTION: **Crown & Drive Set for 45mm Motor in 2.5" Tube**

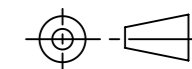
ITEM CODE: **MTCRDR-45-2.5**



© ROLLESE ACMEDA

SCALE:1:1

DRAWN: 28 Jun 2018



www.rolleseeacmeda.com

PROPRIETARY & CONFIDENTIAL  
THE INFORMATION CONTAINED IN THIS DRAWING IS THE SOLE PROPERTY OF ROLLESE ACMEDA. ANY REPRODUCTION IN PART OR WHOLE WITHOUT THE WRITTEN PERMISSION OF ROLLESE ACMEDA IS PROHIBITED.

DIMENSIONS  
IN "MM"

SIZE: **A3**

REV. **03**