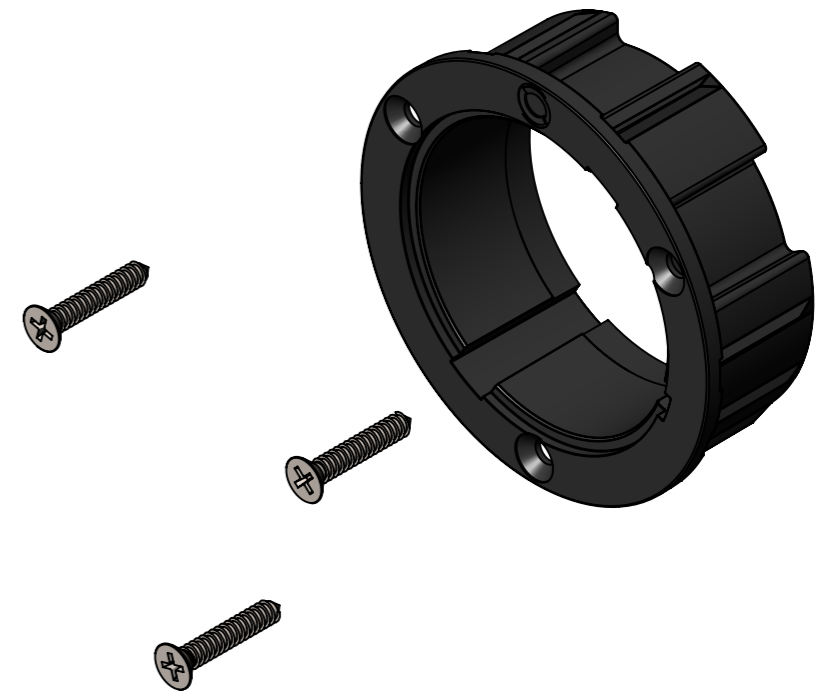
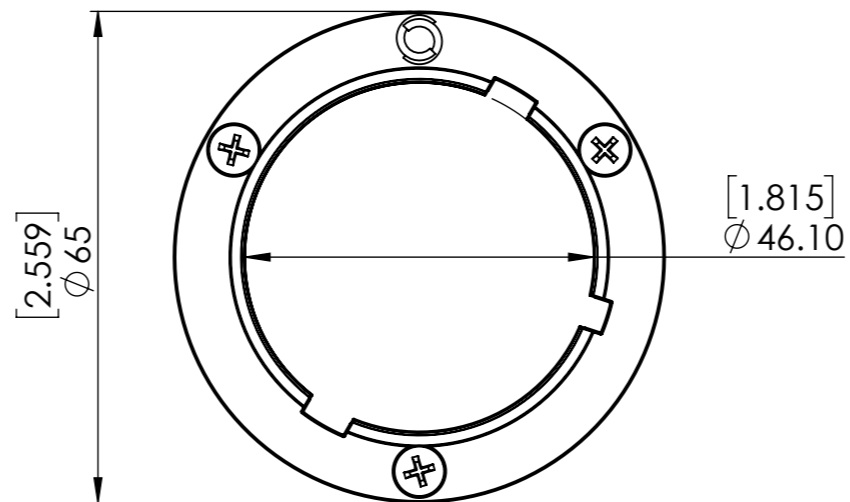

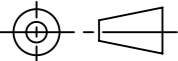


#6 SCREW x3



NOTE:  
1. 4x COMPONENTS TOTAL. 1x CROWN & 3x SCREWS.

<b>PRODUCT SPECIFICATION SHEET</b>		 <b>ROLLEASE ACMEDA</b> PRECISION IN MOTION	© ROLLEASE ACMEDA	SCALE:1:1	DRAWN: 28 Jun 2018	
ITEM DESCRIPTION: <b>AUTOMATE   Crown 45mm Motor to 2.5" Tube + Screws</b>						
ITEM CODE: <b>MTCR-45-2.5</b>					REV. <b>02</b>	