

# AUTOMATE™

## ACML 6

Convenient installation. Hard wired. Mechanical limits.  
The AC motor can seamlessly integrate within any Smart Home Automation system and in a commercial situation is the most economical solution.



### COST EFFECTIVE

Economical solution in commercial environments where numerous motors are required. Reduce installation and maintenance costs.



### INTEGRATION FLEXIBILITY

Motors can be incorporated into any home automation system, irrespective of the brand.



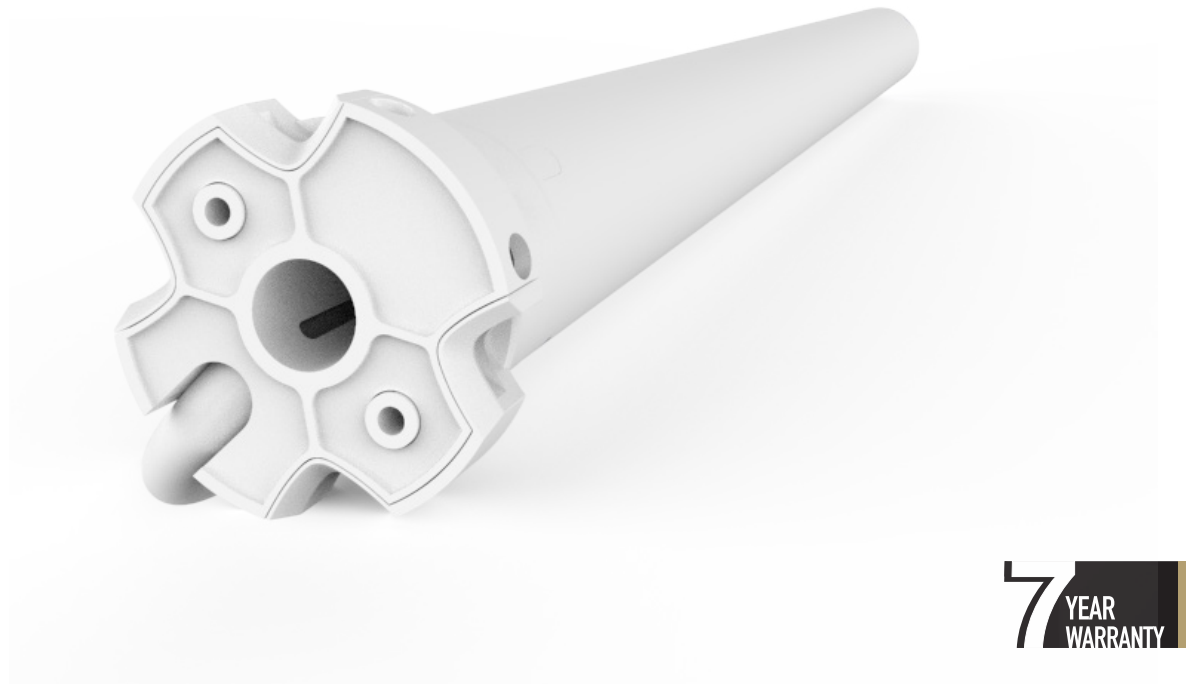
### SIMPLIFIED SETUP

Automate programming instructions are streamlined to have your shades moving as quickly as possible.



### RELIABLE OPERATION

No interference from other devices to prevent the motor from operating.



**7** YEAR WARRANTY



ARC™ (Automate Radio Communication) is Rollease Acmeda's proprietary technology utilizing 433MHz radio communication with bi-directional feedback that brings Automate motorized shading systems together.

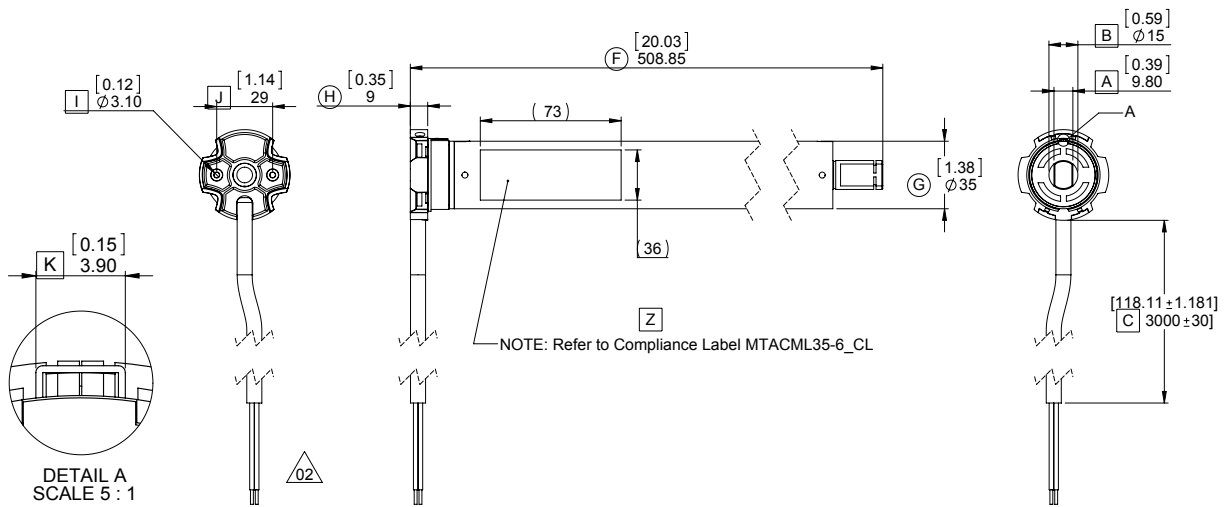
A DIVISION OF  
**ROLLEASE  
ACMEDA**

# PRODUCT SPECIFICATIONS

**Part #: MTACML35-6** 35mm AC Tubular motor with mechanical limits.

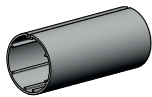
<b>Voltage</b>	110-120 A/C	<b>IP Rating</b>	IP44
<b>Torque</b>	6.0Nm	<b>Limit Switch Type</b>	Mechanical
<b>Max Run Time</b>	4 min	<b>Current</b>	0.85A
<b>Speed</b>	33 RPM	<b>Temp Working Range</b>	32°F to 140°F (0°C to 60°C)
<b>Sound Level</b>	44 DB	<b>Insulation Class</b>	III

## DIMENSIONS

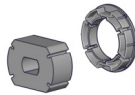


## COMPATIBLE PARTS

### Tubes



### Crown & Drives



### Adaptors



2" Ribbed Tube	MTCRDR-35-2
S45 - Light	MTCRDR-35-S45
S45 - Std	
S45 - HD	
40mm Octagonal (3rd party product)	VB40-0306-050408 & MTCR-35-2-OCT

- MTAD-252835-SL
- MTAD-25-28-SLV2W
- RB40-1402-069400