

AUTOMATE™ | CL 0.8 Motor

Part #: MT01-3001-069001

Description: Cord Lift 0.8 Nm Motor

FEATURES

- Double outputs for mounting in center of headrail
- Electronic Limit
- Leveling Control
- Simple limit setting and adjustment
- Favorite position
- 2-way RF communication
- New ARC™ protocol for simple programming
- Smart home control
- IOT Integration
- Battery & wired DC power Options

TECHNOLOGIES



ELECTRONIC LIMIT



LEVELING CONTROL



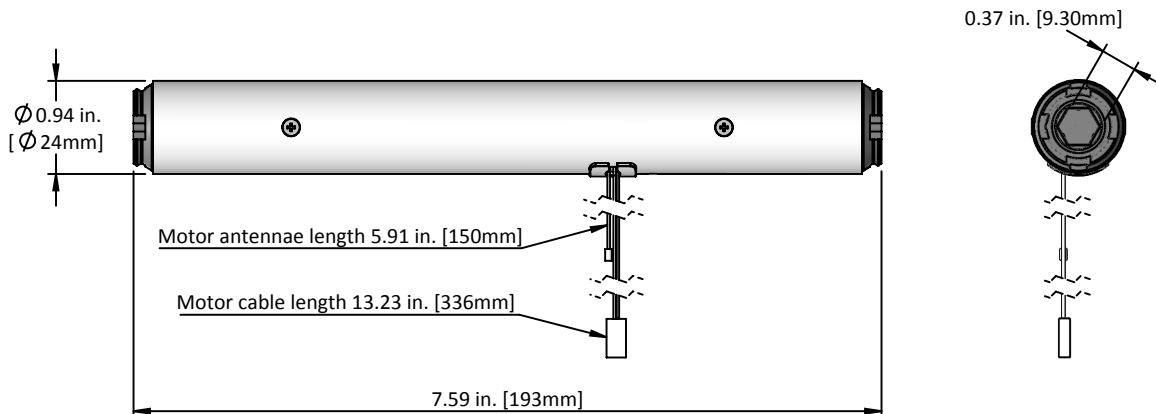
FAVORITE POSITION



433 MHZ BI-DIRECTIONAL



DIMENSIONS



SPECIFICATIONS

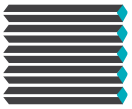
Voltage	12 V DC	IP Rating	IP44
Torque	0.8Nm	Limit Switch Type	Electronic
Max Run Time	6min	Amps	1 A
Speed	45 RPM	Temp Working Range	32°F to 140°F (0°C to 60°C)
Radio Frequency	433.92 MHz	Insulation Class	III
RF Modulation	FSK	Sound Level	-60DB

Leading innovator of precision hardware and automated shade solutions.

USA | AUSTRALIA | EUROPE rolleasacmeda.com



APPLICATIONS



CELLULAR
SHADES



ROMAN
SHADE

COMPATIBLE SYSTEMS

- Turnils 1
- Comfortex
- Blinds to Go Smartlift
- HT Window Fashions
- SS38 System

ACCESSORIES

POWER SOLUTIONS

Descr: Power Supply for 18/25-CL/Tilt DCRF (no Bttry) Mtr
Part #: MTDCPS-18-25

Descr: Battery Tube for 18/25mm DCRF (No Batt) Mtrs (inc Mt clips)
Part #: MTBWAND18-25

Descr: AA Battery Lithium 8 Pak
Part#: MTBWAND18-25

Descr: Rchrgbl Btry Pak- 28mm DCBRF (No Batt) Mtr 2600mAh
Part #: MTBPCKR-28

EXTENSION CABLES

Descr: DC Motor Cable extender 6"/155mm
Part #: MTDC-CBLXT6

Descr: DC Motor Cable extender 48"/1220mm
Part #: MTDC-CBLXT48

Descr: DC Motor Cable extender 96"/2440mm
Part #: MTDC-CBLXT96

REMOTES & SWITCHES

Descr: Paradigm 1CH ARC™ Remote
Part #: MTRF-REM-1

Descr: Paradigm 15CH ARC™ Remote
Part #: MTRF-REM-15

Descr: RF White 1 Channel Decorator Wall Switch (Cut In)
Part #: MTRF-WS-1C

Descr: RF White 2 Channel Decorator Wall Switch (Cut In)
Part #: MTRF-WS-2C

Descr: RF White 15 Channel Decorator Switch(Cut In)
Part #: MTRF-WS-15

Descr: RF White 5 Channel Decorator Surface Mount Switch
Part #: MTRF-WS5-FLUSH

AUTOMATION DEVICES

Descr: Sun Sensor
Part #: MTRF-SUNSENS

Descr: 1 Channel Dry Contact Input Module 433 RF
Part #: MTRF-DCIM-1C

Descr: ARC™ "Pulse" Wi-Fi to 433 2 way RF Bridge Kit
Part #: MTRF-WIFIBRIDGE-KIT

MOTOR ADAPTER KITS

Descr: Cord Lift Motor Adapter Kit | SS38
Part # MTAD-CLHRSS38KT

HEADRAIL ADAPTERS

Descr: BTG Contour Headrail Adapter
Part # MTAD-CLHR-BTGC
(Blinds to Go Contour)

Descr: Turnils Headrail Adapter
Part # MTAD-CLHR-TUR
(Turnils & Comfortex)

Descr: BTG UnoSol Roman Headrail Adapter
Part # MTAD-CLHR-US-ROM

SHAFT ADAPTERS

Descr: 4mm Square Shaft Adapter
Part # MTAD-CLSA-4MMSQ
(Blinds to Go - Countour)

Descr: 'V' Groove Shaft Adapter
Part # MTAD-CLSA-V
(Turnils & Comfortex)

Descr: 'D' Shaft Adapter
Part # MTAD-CLSA-D

Descr: 5mm Square Shaft Adapter
Part # MTAD-CLSA-5mmSQ
(Acmeda - SS38)