

AUTOMATE | DC Power Distribution Panel

Part #: MT03-0301-41100x

AUTOMATE | DC Power Distribution Panel provides power for up to 18 separate DC ARC motors. Higher 15V output allows for greater cable lengths from motor to power panel, freeing up routing options within an installation.

Removes the need for multiple individual power adaptors for each DC motor in an installation, combining each power source into a single location. Channels may also be wired in parallel to provide additional power to larger motors.

FEATURES

- Capacity for up to 18 ARC DC motors (18mm, 25mm, and 28mm motors)
- Ability to parallel connect motor supplies for higher current motors (35mm and 45mm motors)
- LED status indication for checking whether power is being applied to panel
- LED status indication for each individual motor supply

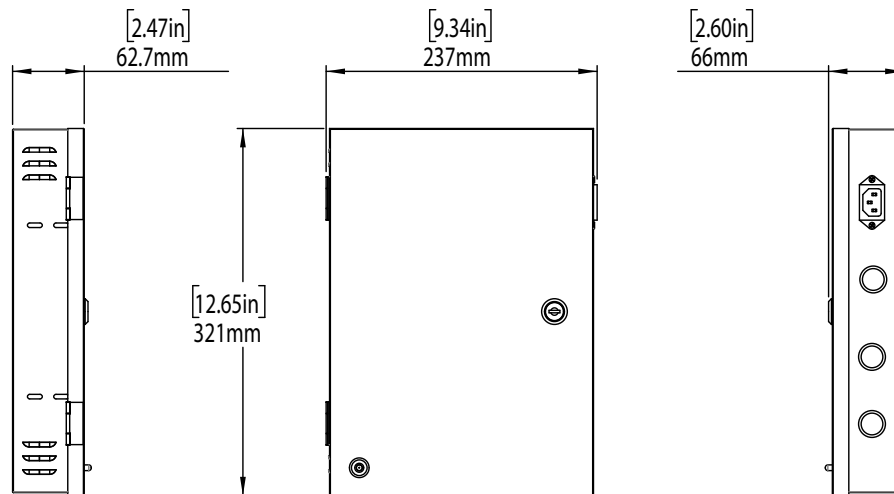


TECHNOLOGIES



DC POWER

DIMENSIONS



CERTIFICATIONS



PORG_MT03-0301-41100x_FEB 2019

Leading innovator of precision hardware and automated shade solutions.

USA | AUSTRALIA | EUROPE rolleasemed.com

© Rollease Acmeda Group



SPECIFICATIONS

Input Voltage Range (US)	85 VAC - 125 VAC
Input Voltage Range (AUS)	85 VAC - 245 VAC
Output Voltage Range	15 VDC
Maximum Output Current (all 18 channels)	24 A
Power Output Rating	360 W
Single Channel Absolute Maximum Current Output	1.33 A
Ingress Protection	IP40

Leading innovator of precision hardware and automated shade solutions.

USA | AUSTRALIA | EUROPE rolleseeacmeda.com

© Rollease Acmeda Group

