

AUTOMATE™

DCRF Q2.0

Simplified wiring. Efficient installation. Maintenance free.
This low voltage motor is perfect for small to large Roller shade applications.



BIDIRECTIONAL COMMUNICATION

Automate Radio Communication utilizes two-way communication to provide up-to-date feedback on battery levels and shade positioning via the Automate Pulse 2 app.



ADJUSTABLE SPEED CONTROL

Three shade speed settings to suit your needs – faster for larger shades, slower for smaller. Features quiet operation when set to the lowest speed setting.



SIMPLIFIED SETUP

Whether using a remote control or app for shade setup, Automate programming instructions are streamlined to have your shades moving as quickly as possible.



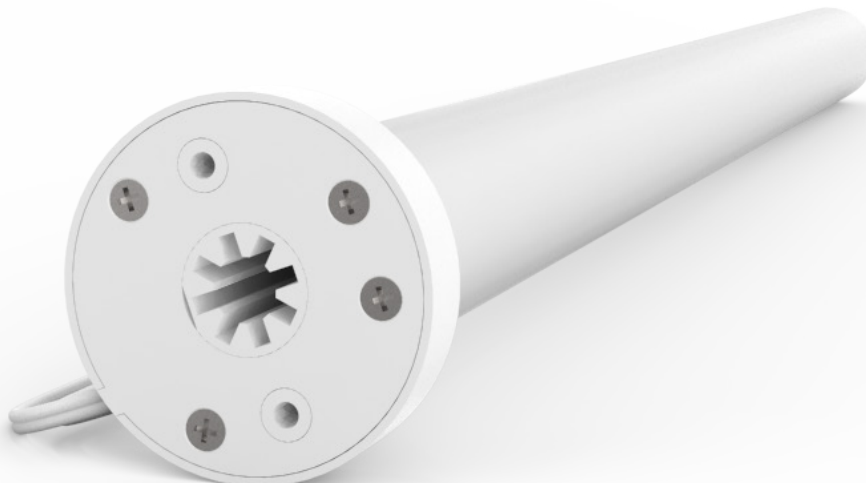
FAVORITE POSITIONING

Add a programmable shade position in addition to the upper and lower limits that can be defined as your "favorite".



PRECISE LIMIT ADJUSTMENT

Incremental steps during limit setting allows for precise positioning of the shade.



7
YEAR
WARRANTY



ARC™ (Automate Radio Communication) is Rollease Acmeda's proprietary technology utilizing 433MHz radio communication with bi-directional feedback that brings Automate motorized shading systems together.

A DIVISION OF
**ROLLEASE
ACMEDA**

© Rollease Acmeda Pty Ltd

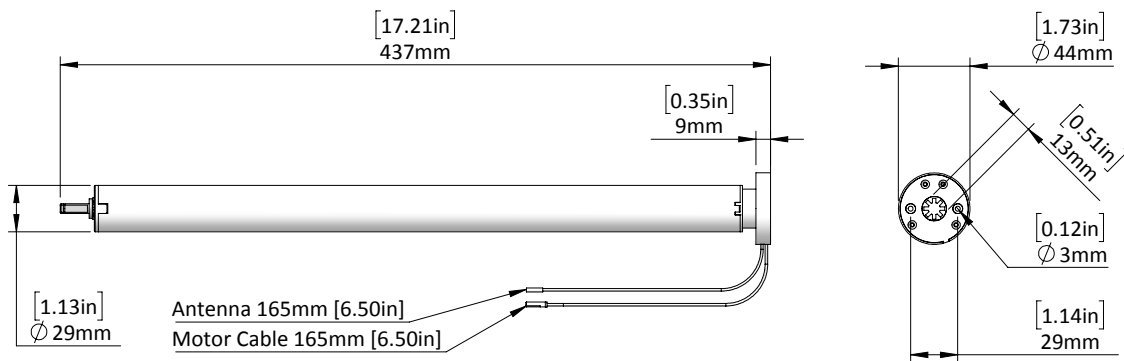
PRODUCT SPECIFICATIONS

Part #: MTDCRFQ28-2

Automate DCRF Q2.0

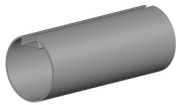
Voltage	12V DC	Limit Switch Type	Electronic
Torque	2Nm	Current	1.16A
Max Run Time	10 Min	Battery Size/Type	External Battery Pack
Speed	28 RPM (Adjustable to 24 or 20)	Temp Working Range	32°F to 140°F (0°C to 60°C)
Radio Frequency	433.92 MHz	Insulation Class	III
RF Modulation	FSK	Sound Level	~44 dB
IP Rating	IP44	Power	13W

DIMENSIONS

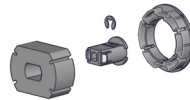


COMPATIBLE PARTS

Tubes



Crown & Drives



Adaptors



S45 - Light	MTCRDR-28-S45
S45 - Std	
S45 - HD	
1.5" Tube	MTCRDR-28-1.5
2" Tube	MTCRDR-28-2
Octagonal 40 Tube (SS40 only)	VB40-0306-050408 + VB40-0134-050404

- MTAD-252835-SL
- MTAD-25-28-SLV2W
- MTAD-252835-RS
- RB40-1402-069400

COMPATIBLE SYSTEMS

- S45 Roller Shades
- Skyline Roller Shades
- R Series Roller Shades
- SS40 & SS48 Roman Shades (AU Only)

COMPATIBLE ACCESSORIES (refer to catalog for full item listings)

Controllers



Charging Options

