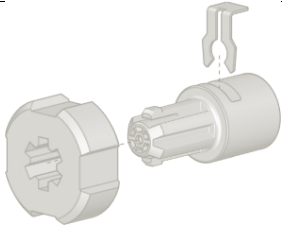
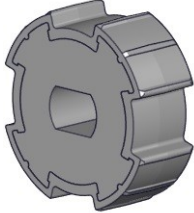


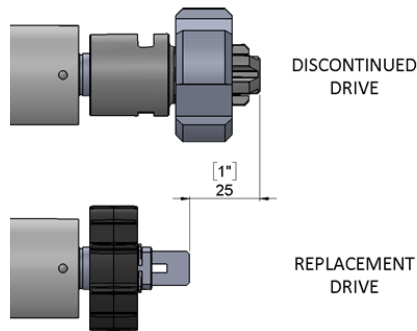
PRODUCT CHANGE | Drive Set for 35mm motor in 2.0" Ribbed Tube

	DISCONTINUED PRODUCT	REPLACEMENT PRODUCT	CHANGES MADE	
			YES	NO
DESCRIPTION.	Drive Set for 35mm motor in 2.0" tubes	Drive Wheel 35mm 2.0 Ribbed Tube	<input checked="" type="checkbox"/>	<input type="checkbox"/>
CODE.	MTDR-35-2	MT03-0111-050001	<input checked="" type="checkbox"/>	<input type="checkbox"/>
PACK SIZE.	100 1 UOM	100 1 UOM	<input type="checkbox"/>	<input checked="" type="checkbox"/>
PRICE.			<input checked="" type="checkbox"/>	<input type="checkbox"/>
COLOUR / FINISH.	Black	Black	<input type="checkbox"/>	<input checked="" type="checkbox"/>
LENGTH.	N/A	N/A	<input type="checkbox"/>	<input checked="" type="checkbox"/>
IMAGE.			<input checked="" type="checkbox"/>	<input type="checkbox"/>
USE WITH.	35mm Automate Motors, 2" Ribbed Tube		<input type="checkbox"/>	<input checked="" type="checkbox"/>
TRANSITIONING.	May 2021			

IMPROVEMENTS / CHANGES

PRODUCTION / INSTALLATION IMPROVEMENTS

- Single piece drive design (reduced assembly time)
- Reduced minimum blind width by 25mm [1"]
- The Clip will be sold separated.



CHANGES MADE	
YES	NO
<input checked="" type="checkbox"/>	<input type="checkbox"/>

FUNCTIONAL IMPROVEMENTS / CHANGES

- Soft outer body for silent operation
- Improved torque capacity and tolerance
- Improved resistance to heat degradation
- Reduced cost
- Reduced minimum width.
- Rubberized ribs grip tube for a better fit

CHANGES MADE	
YES	NO
<input checked="" type="checkbox"/>	<input type="checkbox"/>

AESTHETIC IMPROVEMENTS / CHANGES

- N/A

CHANGES MADE	
YES	NO
<input checked="" type="checkbox"/>	<input type="checkbox"/>