
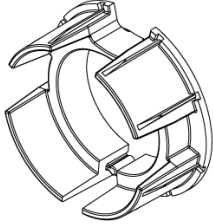


PRODUCT CHANGE | Crown for 28mm Motor in 1.5" tube

	DISCONTINUED PRODUCT	REPLACEMENT PRODUCT	CHANGES MADE	
			YES	NO
DESCRIPTION.	Crown for 28mm DC motor in 1.5" tube WH	Crown for 28mm Motor in 1.5" tube	<input checked="" type="checkbox"/>	<input type="checkbox"/>
CODE.	MTCR-28-1.5W	MT03-0110-069001	<input checked="" type="checkbox"/>	<input type="checkbox"/>
PACK SIZE.	250 50 UOM	250 50 UOM	<input type="checkbox"/>	<input checked="" type="checkbox"/>
PRICE.			<input checked="" type="checkbox"/>	<input type="checkbox"/>
COLOUR / FINISH.	White	White	<input type="checkbox"/>	<input checked="" type="checkbox"/>
LENGTH.	N/A	N/A	<input type="checkbox"/>	<input checked="" type="checkbox"/>
IMAGE.			<input checked="" type="checkbox"/>	<input type="checkbox"/>
USE WITH.	28mm Automate Motors, 1.5" Tube		<input type="checkbox"/>	<input checked="" type="checkbox"/>
TRANSITIONING.	May 2021			

IMPROVEMENTS / CHANGES

PRODUCTION / INSTALLATION IMPROVEMENTS

- Improve Tube fitment.
- Increase the crown collar length.
- Better design and Robustness of the crown

CHANGES MADE	
YES	NO
<input checked="" type="checkbox"/>	<input type="checkbox"/>

FUNCTIONAL IMPROVEMENTS / CHANGES

- Improved torque capacity
- Improved resistance
- Robust ribs grip tube for a better fit

CHANGES MADE	
YES	NO
<input checked="" type="checkbox"/>	<input type="checkbox"/>

AESTHETIC IMPROVEMENTS / CHANGES

- N/A

CHANGES MADE	
YES	NO
<input checked="" type="checkbox"/>	<input type="checkbox"/>