
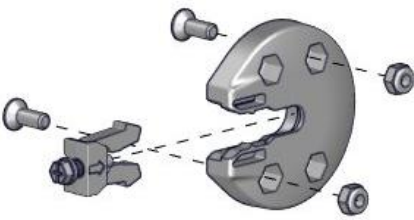


# PRODUCT CHANGE | Idler/Spring Adapter Kit MkII

	DISCONTINUED PRODUCT	REPLACEMENT PRODUCT	CHANGES MADE	
			YES	NO
DESCRIPTION.	Idler/Spring Adapter + Screws	Idler/Spring Adapter Kit MkII	<input checked="" type="checkbox"/>	<input type="checkbox"/>
CODE.	RE01-0204-050000	RE01-0214-050000	<input checked="" type="checkbox"/>	<input type="checkbox"/>
PACK SIZE.	5   400 Pcs	5   200 Pcs	<input checked="" type="checkbox"/>	<input type="checkbox"/>
PRICE.			<input type="checkbox"/>	<input type="checkbox"/>
COLOUR / FINISH.	Black (050)	Black (050)	<input type="checkbox"/>	<input checked="" type="checkbox"/>
IMAGE.			<input checked="" type="checkbox"/>	<input type="checkbox"/>
USE WITH.	External Booster, Bearing Idler, Box 120 End plates, Open Brackets	External Booster, Bearing Idler, Box 120 End plates, Open Brackets	<input type="checkbox"/>	<input checked="" type="checkbox"/>
TRANSITIONING.	Available while supplies last	January 2020		

## IMPROVEMENTS / CHANGES

### PRODUCTION / INSTALLATION IMPROVEMENTS

- Universal (LH/RH) adapter for Idler and Spring installations
- Cavity for press fit Nyloc Nuts, additional socket drive not required during assembly
- Heavy duty press-fit retainer clip positively secures Idler Pin/Spring Head
- Combo Head fastener (Phillips #2, Slot, 8mm socket) pre-assembled in the retainer clip for quick assembly during installation

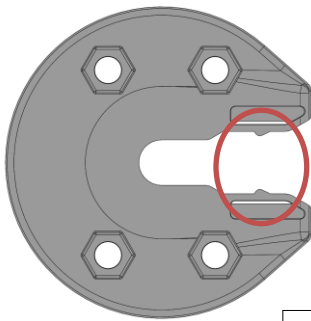
**NOTE:** The Idler/Spring Adapter Kit MkII is not compatible with the wire guide top terminal when used in Open Brackets.

#### CHANGES MADE

YES  NO

### FUNCTIONAL IMPROVEMENTS / CHANGES

- Entry snap's provide positive feedback when a Spring head or Idler Pin is inserted correctly
- The Retainer Clip screw is fastened to provide absolute retention, ensuring the clip cannot be accidentally removed under any circumstances



#### CHANGES MADE

YES  NO

### REMOVING THE RETAINER CLIP

1. Un-screw the fastener before attempting to remove the Retainer Clip
2. Use a screwdriver to lever the Retainer Clip out of the Adapter body

