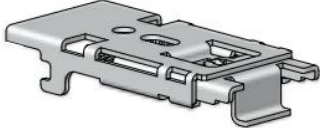
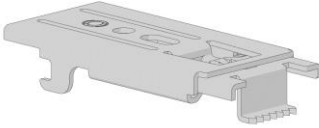


PRODUCT CHANGE | PRODUCT NAME

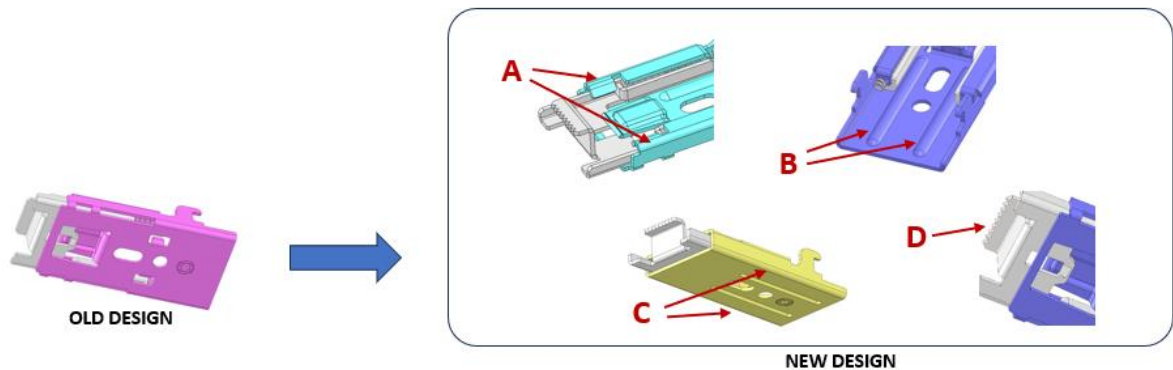
	DISCONTINUED PRODUCT	REPLACEMENT PRODUCT	CHANGES MADE	
			YES	NO
DESCRIPTION.	P95 Semi Cassette - Spring Loaded Bkt -Top mount	P95 Semi Cassette - Spring Loaded Bkt -Top mount	<input type="checkbox"/>	<input checked="" type="checkbox"/>
CODE.	RB88-0121-025001	RB88-0121-025001	<input type="checkbox"/>	<input checked="" type="checkbox"/>
PACK SIZE.	50 500 EA	50 500 EA	<input type="checkbox"/>	<input checked="" type="checkbox"/>
COLOUR / FINISH.	Zinc plated steel	Zinc plated steel	<input type="checkbox"/>	<input checked="" type="checkbox"/>
IMAGE.			<input checked="" type="checkbox"/>	<input type="checkbox"/>
USE WITH.	P95 semi cassette	P95 semi cassette	<input type="checkbox"/>	<input checked="" type="checkbox"/>
TRANSITIONING.	November 2023			

IMPROVEMENTS / CHANGES

FUNCTIONAL IMPROVEMENTS / CHANGES

Design changes are being made to improve the design:

- 2 retention features added to the sides of the brackets to ensure parts do not come apart during transit or installation. (A)
- Material harness improved to help ensure brackets aren't as susceptible to deformation. (B)
- Strengthening gussets added to help ensure parts aren't as susceptible to deformation. (B)
- Cutouts removed on sides to help ensure parts aren't as susceptible to deformation. (C)
- 'Teeth' added to tongue to help reduce horizontal movement of the extrusion on the mounting brackets. (D)



CHANGES MADE	
YES	NO
<input checked="" type="checkbox"/>	<input type="checkbox"/>