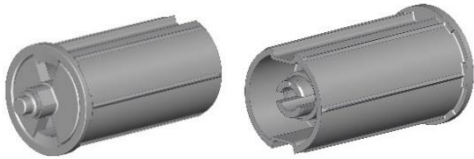
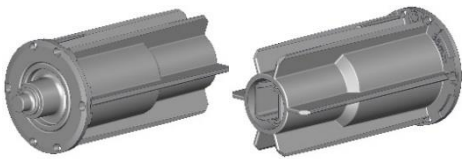


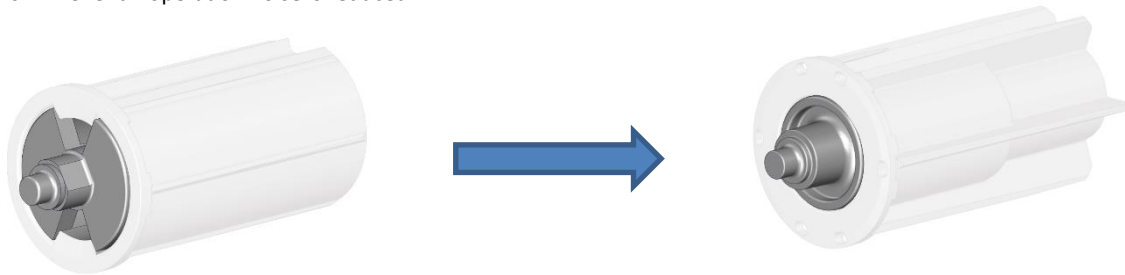
# PRODUCT ALTERNATIVE | Skyline Heavy Duty Pin End 1-1/2"

	CURRENT PRODUCT	ALTERNATE PRODUCT	CHANGES MADE	
			YES	NO
DESCRIPTION.	Pin End Skyline 1-1/2" Heavy Duty	Pin End Skyline 1-1/2" Heavy Duty	<input type="checkbox"/>	<input checked="" type="checkbox"/>
CODE.	SLPEHD53BK / SLPEHD53W	SL01-0103-050038 / SL01-0103-069038	<input checked="" type="checkbox"/>	<input type="checkbox"/>
PACK SIZE.	25   200 EA	25   200 EA	<input type="checkbox"/>	<input checked="" type="checkbox"/>
PRICE.			<input type="checkbox"/>	<input checked="" type="checkbox"/>
COLOUR / FINISH.	Black / White	Black / White	<input type="checkbox"/>	<input checked="" type="checkbox"/>
IMAGE.			<input checked="" type="checkbox"/>	<input type="checkbox"/>
Use With:	Skyline brackets, 1-1/2" tube, 2" adaptor	Skyline brackets, 1-1/2" tube, 2" adaptor	<input type="checkbox"/>	<input checked="" type="checkbox"/>
Introduction:	September 27, 2021			

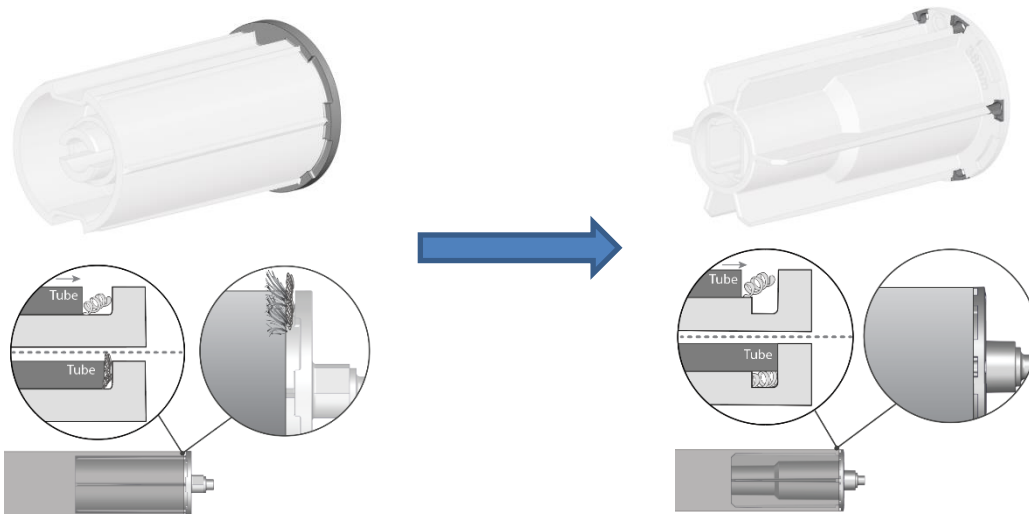
## IMPROVEMENTS / CHANGES

### FUNCTIONAL IMPROVEMENTS / CHANGES

- Alternate product has a continuous flange as opposed to the triangular features on the current product.
  - Benefit – operation noise is reduced.



- Alternate product has fitment rib relief feature to enable plastic shaved off during tube insertion to not be trapped between tube and jacket flange.
  - Benefit – Rib relief feature ensures the tube is flush with the housing for accurate deductions and prevents the shavings from fraying the fabric.

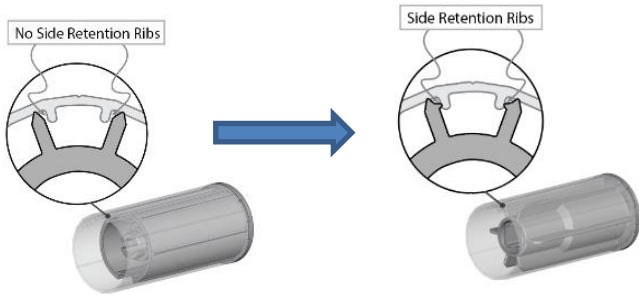


CHANGES MADE	
YES	NO
<input checked="" type="checkbox"/>	<input type="checkbox"/>

# PRODUCT ALTERNATIVE | Skyline Heavy Duty Pin End 1-1/2"

## FUNCTIONAL IMPROVEMENTS / CHANGES

- Alternate product has new side engagement feature for enhanced tube fit and prevention to fit loose.

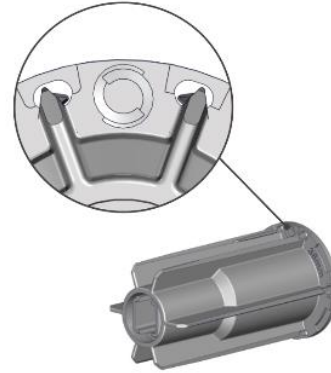


### CHANGES MADE

YES	NO
<input checked="" type="checkbox"/>	<input type="checkbox"/>

## AESTHETIC IMPROVEMENTS / CHANGES

- Rollease Acmeda identifier has been added to the alternate product.



### CHANGES MADE

YES	NO
<input checked="" type="checkbox"/>	<input type="checkbox"/>