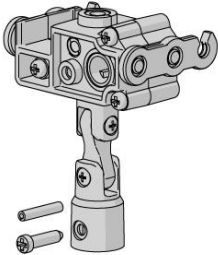
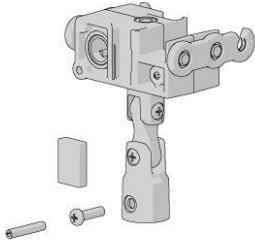


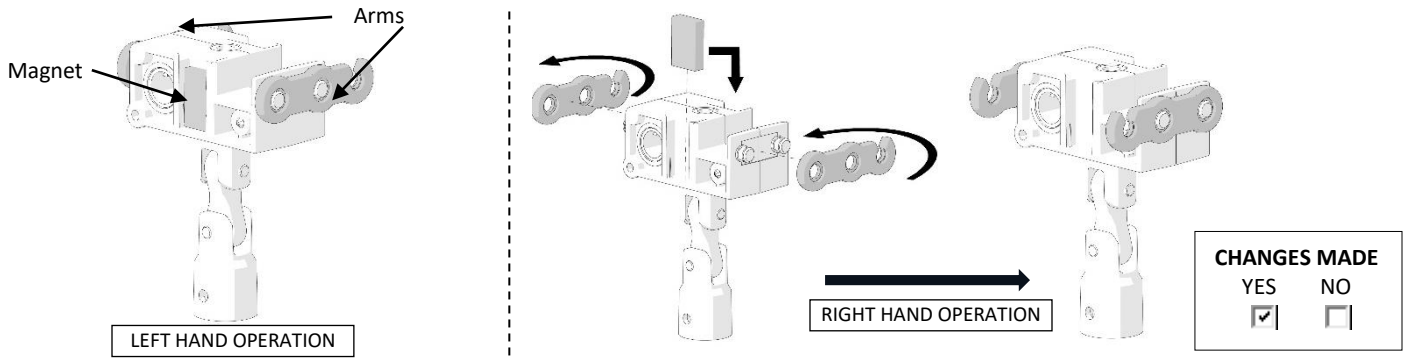
# PRODUCT CHANGE | VERTICAL WAND CONTROL UNIT - STANDARD

	DISCONTINUED PRODUCT	REPLACEMENT PRODUCT	CHANGES MADE	
			YES	NO
DESCRIPTION.	Wand Control Direct Drive Unit-Universal Control	Vertical Wand Control Unit  Standard	<input checked="" type="checkbox"/>	<input type="checkbox"/>
CODE.	VA01-0208-066000	VA01-0209-xxx000	<input checked="" type="checkbox"/>	<input type="checkbox"/>
PACK SIZE.	25   400	25   400	<input checked="" type="checkbox"/>	<input type="checkbox"/>
PRICE.			<input checked="" type="checkbox"/>	<input type="checkbox"/>
COLOUR / FINISH.	Off White	Pure White, Off White	<input checked="" type="checkbox"/>	<input type="checkbox"/>
IMAGE.			<input checked="" type="checkbox"/>	<input type="checkbox"/>
USE WITH.	Aluminium Head Rail, Carriers, Wand, Magnetic Tiltrod Support	Aluminium Head Rail, Carriers, Wand, Tiltrod Support + Screw	<input checked="" type="checkbox"/>	<input type="checkbox"/>
TRANSITIONING.	April 2024			

## IMPROVEMENTS / CHANGES

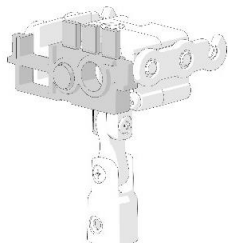
### PRODUCTION IMPROVEMENTS

- Wand Control is supplied assembled for Left Hand control for faster system assembly.
- Wand Control is easily modified by swapping magnet and arms for Right Hand operation.



### FUNCTIONAL IMPROVEMENTS

- Wand Control Unit and Tiltrod Support have been redesigned to ensure reliable engagement and disengagement between each other during operation. (Patent Pending)
- Magnet is strong enough to ensure connection with up to 3 tiltrod supports in a system.



**CHANGES MADE**  
 YES  NO

### AESTHETIC IMPROVEMENTS

- Available in both Pure White and Off White

**CHANGES MADE**  
 YES  NO