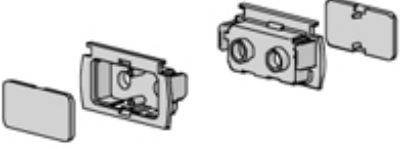
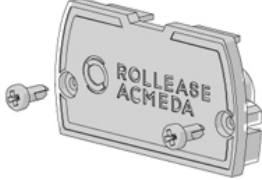


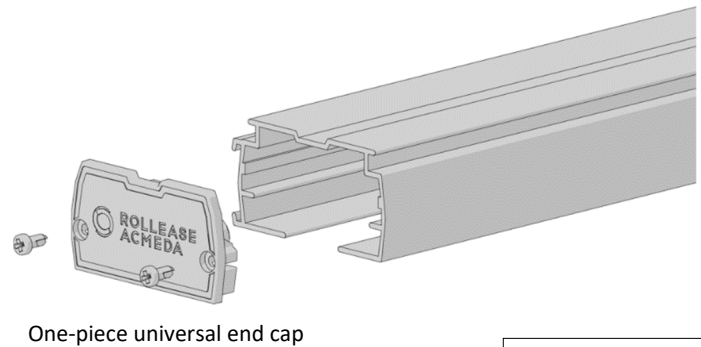
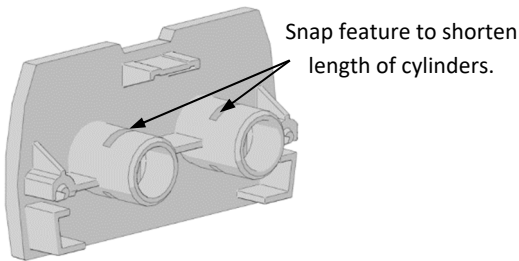
# PRODUCT CHANGE | VA08 Vertical Wand Control End Cap + Screws

	DISCONTINUED PRODUCT	REPLACEMENT PRODUCT	CHANGES MADE	
			YES	NO
DESCRIPTION.	VA08 Direct Drive Wand Control End Cap & Cover – LH/RH Set	VA08 Vertical Wand Control End Cap + Screws	<input checked="" type="checkbox"/>	<input type="checkbox"/>
CODE.	VA08-0228-xxx000	VA08-0238-xxx000	<input checked="" type="checkbox"/>	<input type="checkbox"/>
PACK SIZE.	25   400 Sets	50   500 Kit	<input checked="" type="checkbox"/>	<input type="checkbox"/>
COLOUR / FINISH.	Black, Pure White, Sandstone, Silver Grey, Off-White	Black, Pure White, Sandstone, Silver Grey	<input checked="" type="checkbox"/>	<input type="checkbox"/>
IMAGE.			<input checked="" type="checkbox"/>	<input type="checkbox"/>
USE WITH.	Slim ROUND25 Aluminium Head Rail, Aluminium Tiltrod 3 Way, Thrust Washer.	Slim ROUND25 Aluminium Head Rail, Aluminium Tiltrod 3 Way.	<input checked="" type="checkbox"/>	<input type="checkbox"/>
TRANSITIONING.	July 2023			

## IMPROVEMENTS / CHANGES

### PRODUCTION / INSTALLATION IMPROVEMENTS

- One-piece universal design of end cap simplifies and accelerates assembly process.
- Colour matched screws provide secure fitment to extrusion and remove the need of a thrust washer to retain tiltrod from moving.
- End cap designed with snapping feature to shorten length of shaft cylinders when required in specific configurations.



CHANGES MADE	
YES	NO
<input checked="" type="checkbox"/>	<input type="checkbox"/>

### AESTHETIC IMPROVEMENTS / CHANGES

- Clean, simple one-piece design with logo.
- Colour matched screws

CHANGES MADE	
YES	NO
<input checked="" type="checkbox"/>	<input type="checkbox"/>