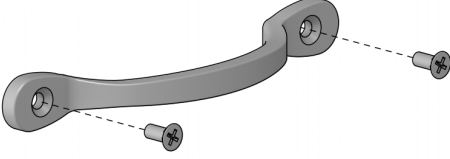
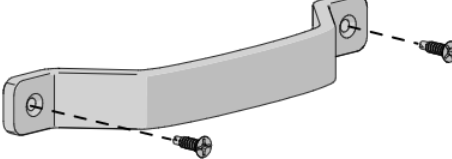


# PRODUCT CHANGE | EXTERNAL WEIGHT BAR HANDLE

	DISCONTINUED PRODUCT	REPLACEMENT PRODUCT	CHANGES MADE	
			YES	NO
DESCRIPTION.	External Weight Bar Handle	External Weight Bar Handle + Screws MkII	<input checked="" type="checkbox"/>	<input type="checkbox"/>
CODE.	SB07-2201-022001	SB07-2202-013000 SB07-2202-054000	<input checked="" type="checkbox"/>	<input type="checkbox"/>
PACK SIZE.	10   50 Sets	10   50 Sets	<input type="checkbox"/>	<input checked="" type="checkbox"/>
PRICE.	Log in to access pricing	Log in to access pricing	<input checked="" type="checkbox"/>	<input type="checkbox"/>
COLOUR / FINISH.	Brushed Silver (022)	Polished Stainless (013), Dark Electroplate (054)	<input checked="" type="checkbox"/>	<input type="checkbox"/>
IMAGE.			<input checked="" type="checkbox"/>	<input type="checkbox"/>
USE WITH.	F56 & F72 Weight Bars		<input type="checkbox"/>	<input checked="" type="checkbox"/>
TRANSITIONING.	<b>April 2022</b>			

## IMPROVEMENTS / CHANGES

### PRODUCT IMPROVEMENTS

- Wider grip area improves ease of use.
- Colour matching stainless steel self-drilling screws included.
- Available in 2 finishes, polished stainless and dark electroplate to better suit our range of colours.

### SIZE COMPARISON

