
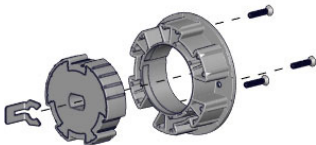


# PRODUCT CHANGE | CROWN & DRIVE SET FOR 45mm 3.25" TUBE

	DISCONTINUED PRODUCT	REPLACEMENT PRODUCT	CHANGES MADE	
			YES	NO
DESCRIPTION.	Crown & Drive Set for 45mm 3.25" Tube	Crown & Drive Set for 45mm 3.25" Tube	<input type="checkbox"/>	<input checked="" type="checkbox"/>
CODE.	MTCRDR-45-3.25	MTCRDR-45-3.25	<input type="checkbox"/>	<input checked="" type="checkbox"/>
PACK SIZE.	CT10	CT10	<input type="checkbox"/>	<input checked="" type="checkbox"/>
PRICE.	Refer to catalog	Refer to catalog	<input checked="" type="checkbox"/>	<input type="checkbox"/>
COLOUR / FINISH.	Black	Black	<input type="checkbox"/>	<input checked="" type="checkbox"/>
IMAGE.			<input checked="" type="checkbox"/>	<input type="checkbox"/>
USE WITH.	Automate 45mm motors RTEA7T16 - 3.25" Tube		<input type="checkbox"/>	<input checked="" type="checkbox"/>
TRANSITIONING.	November 2019			

## IMPROVEMENTS / CHANGES

### PRODUCTION / INSTALLATION IMPROVEMENTS

- It is faster and easier to assemble due to the reduced number of components
- Optional retaining screws ensure a tube with a crown & drive set remain connected during travel/installation

#### CHANGES MADE

YES NO

### FUNCTIONAL IMPROVEMENTS / CHANGES

- Crown can be secured to tube with optional retaining screws to provide a quieter solution
- Less play between the tube and the drive

#### CHANGES MADE

YES NO

### AESTHETIC IMPROVEMENTS / CHANGES

- The cylindrical crown now matches the tube silhouette

#### CHANGES MADE

YES NO