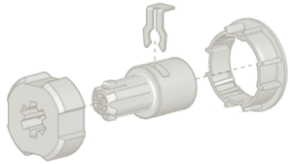
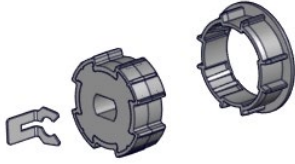


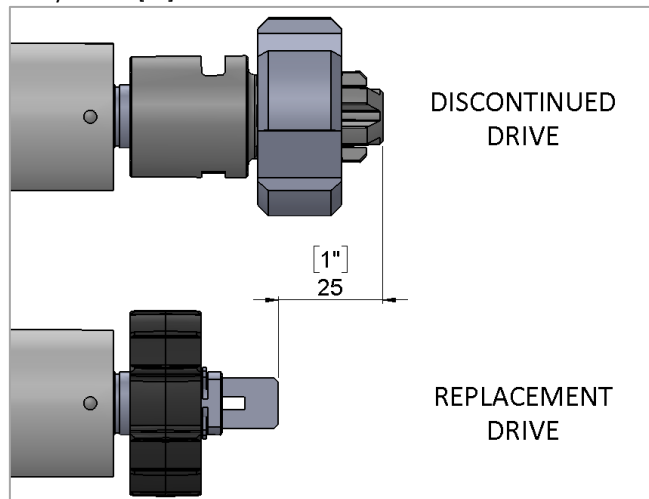
PRODUCT CHANGE | Crown&Drive Set for 35mm motor in 2.0" Ribbed tube

	DISCONTINUED PRODUCT	REPLACEMENT PRODUCT	CHANGES MADE	
			YES	NO
DESCRIPTION.	Crown & Drive Set for 35mm motor in 2.0" ribbed tube	Crown & Drive Set for 35mm motor in 2.0" ribbed tube	<input type="checkbox"/>	<input checked="" type="checkbox"/>
CODE.	MTCRDR-35-2	MTCRDR-35-2	<input type="checkbox"/>	<input checked="" type="checkbox"/>
PACK SIZE.	CT10	CT10	<input type="checkbox"/>	<input checked="" type="checkbox"/>
PRICE.			<input type="checkbox"/>	<input type="checkbox"/>
IMAGE.			<input checked="" type="checkbox"/>	<input type="checkbox"/>
USE WITH.	35mm Automate Motors, 2" Ribbed Tube		<input type="checkbox"/>	<input checked="" type="checkbox"/>
TRANSITIONING.	March 2020			

IMPROVEMENTS / CHANGES

PRODUCTION / INSTALLATION IMPROVEMENTS

- Single piece drive design (reduced assembly time)
- Reduced minimum blind width by 25mm [1"]



CHANGES MADE	
YES	NO
<input checked="" type="checkbox"/>	<input type="checkbox"/>

FUNCTIONAL IMPROVEMENTS / CHANGES

- Soft outer body for quiet operation
- Improved torque capacity
- Improved resistance to heat degradation
- Reduced cost
- Reduced minimum width
- Rubberized ribs grip tube for a better fit

CHANGES MADE	
YES	NO
<input checked="" type="checkbox"/>	<input type="checkbox"/>

AESTHETIC IMPROVEMENTS / CHANGES

CHANGES MADE	
YES	NO
<input type="checkbox"/>	<input checked="" type="checkbox"/>