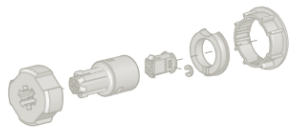
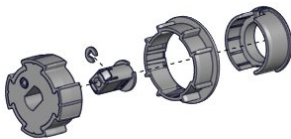


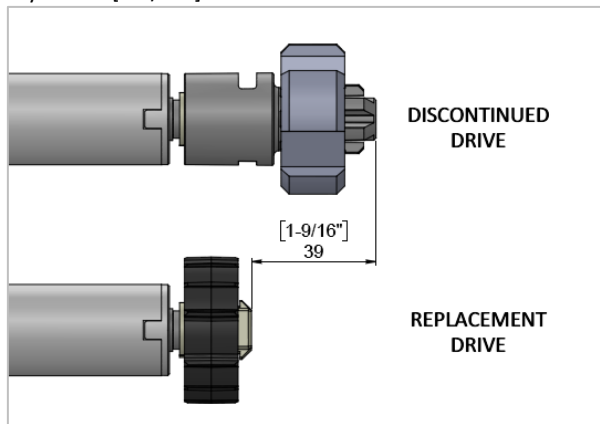
PRODUCT CHANGE | Crown&Drive Set for 28mm DC motor in 2.0" Ribbed Tube

	DISCONTINUED PRODUCT	REPLACEMENT PRODUCT	CHANGES MADE	
			YES	NO
DESCRIPTION.	Crown & Drive Set for 28mm DC motor in 2.0" Ribbed tube	Crown & Drive Set for 28mm DC motor in 2.0" Ribbed tube	<input type="checkbox"/>	<input checked="" type="checkbox"/>
CODE.	MTCRDR-28-2	MTCRDR-28-2	<input type="checkbox"/>	<input checked="" type="checkbox"/>
PACK SIZE.	CT10	CT10	<input type="checkbox"/>	<input checked="" type="checkbox"/>
PRICE.			<input type="checkbox"/>	<input type="checkbox"/>
IMAGE.			<input checked="" type="checkbox"/>	<input type="checkbox"/>
USE WITH.	28mm Automate Motors, 2" Ribbed Tube		<input type="checkbox"/>	<input checked="" type="checkbox"/>
TRANSITIONING.	March 2020			

IMPROVEMENTS / CHANGES

PRODUCTION / INSTALLATION IMPROVEMENTS

- Single piece drive design (reduced assembly time)
- Reduced minimum blind width by 39mm [1-9/16"]



CHANGES MADE	
YES	NO
<input checked="" type="checkbox"/>	<input type="checkbox"/>

FUNCTIONAL IMPROVEMENTS / CHANGES

- Soft outer body for silent operation
- Improved torque capacity
- Improved resistance to heat degradation
- Reduced Cost
- Reduced minimum width
- Rubberized ribs grip tube for better fit

CHANGES MADE	
YES	NO
<input checked="" type="checkbox"/>	<input type="checkbox"/>

AESTHETIC IMPROVEMENTS / CHANGES

CHANGES MADE	
YES	NO
<input type="checkbox"/>	<input checked="" type="checkbox"/>