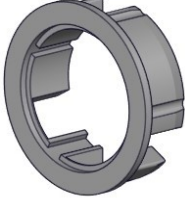



PRODUCT CHANGE | PRODUCT NAME

	DISCONTINUED PRODUCT	REPLACEMENT PRODUCT	CHANGES MADE	
			YES	NO
DESCRIPTION.	Automate / Crown 45mm Motor to 2.5" Tube	Automate / Crown 45mm Motor to 2.5" Tube	<input type="checkbox"/>	<input checked="" type="checkbox"/>
CODE.	MTCR-45-2.5	MT03-0113-050002	<input checked="" type="checkbox"/>	<input type="checkbox"/>
PACK SIZE.	20 80 UOM	25 500 UOM	<input checked="" type="checkbox"/>	<input type="checkbox"/>
PRICE.			<input type="checkbox"/>	<input type="checkbox"/>
COLOUR / FINISH.	Black	Black	<input type="checkbox"/>	<input checked="" type="checkbox"/>
LENGTH.	-	-	<input type="checkbox"/>	<input type="checkbox"/>
IMAGE.			<input checked="" type="checkbox"/>	<input type="checkbox"/>
USE WITH.	In 2.5" TUBE		<input type="checkbox"/>	<input checked="" type="checkbox"/>
TRANSITIONING.	March 2020			

IMPROVEMENTS / CHANGES

PRODUCTION / INSTALLATION IMPROVEMENTS

- Fitment improve to screw the Crown in the 2.5" tube

CHANGES MADE	
YES	NO
<input checked="" type="checkbox"/>	<input type="checkbox"/>

FUNCTIONAL IMPROVEMENTS / CHANGES

- No changes

CHANGES MADE	
YES	NO
<input type="checkbox"/>	<input checked="" type="checkbox"/>

AESTHETIC IMPROVEMENTS / CHANGES

- No changes

CHANGES MADE	
YES	NO
<input type="checkbox"/>	<input checked="" type="checkbox"/>