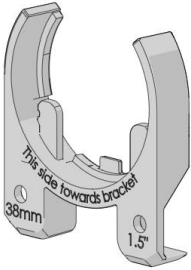


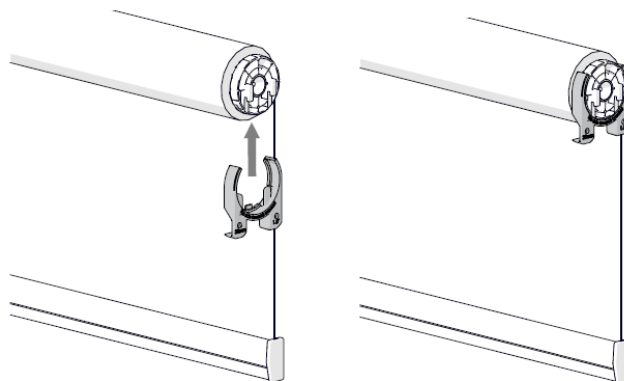
# NEW PRODUCT | ESU Skyline Pre-Tension Retaining Clip – 38mm (1.5")

PRODUCT DETAILS	
DESCRIPTION.	ESU Skyline Pre-Tension Retaining Clip 38mm (1.5")
CODE.	RB12-3812-503038
PACK SIZE.	50   500 EA
PRICE.	\$1.11
COLOUR / FINISH.	Orange (503)
IMAGE.	
USE WITH.	Spring Controls (RB12-3240-xxx038 or RB12-3241-xxx038) and Compact Booster (RB12-3805-xxx038)
AVAILABLE.	February 2022

## FEATURES & BENEFITS

### PRODUCTION / INSTALLATION FEATURES

- Slides onto the spring control AFTER pre-tensioning
- Aligns with slots in the spring control
- Wraps around the outside of the spring control to hold it in place
- Part is compatible with 1.5" (38mm) ESU spring controls



### FUNCTIONAL BENEFITS

- Retains spring pre-tension for Easy Spring Ultra Skyline during transportation and installation
- Sustains shock/vibration during transit without coming loose
- Easily installed onto the ESU products during manufacturing
- Held securely in place until the product is installed and ready to use
- Easily removed by installer or end user without the use of a tool
- Orange color to help ensure product is noticed and removed prior to operation
- Shade is not operable until the pre-tensioning clip is removed
- Clip can be discarded or reused after removal
- Clip has wording (This Side Toward Bracket) to assist in proper orientation
- Compatible in open roll, CF90, P95, Cassette 100, Cassette 120, and Fascia configurations