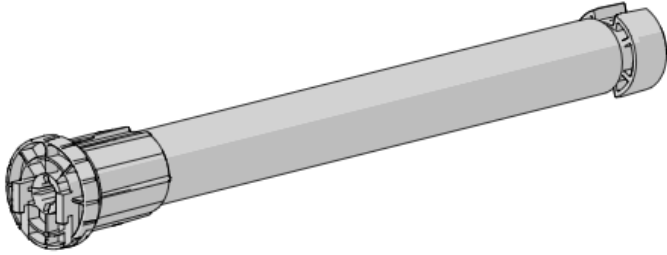


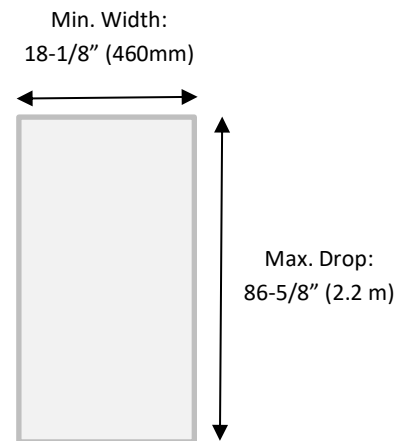
NEW PRODUCT | ESU Skyline Compact Booster – 1.5"

PRODUCT DETAILS	
DESCRIPTION.	Booster + Control + Decel LH Compact SL 1.5"
CODE.	RB12-3805-xxx038
PACK SIZE.	5 80 Each
PRICE.	\$22.47
COLOUR / FINISH.	White (069)
LENGTH.	12.67 in.
IMAGE.	
USE WITH.	Limiter (RB12-6101-xxx038 or RB12-6102-xxx038), 1.5" Tube, ESU-Skyline
AVAILABLE.	March 2022

FEATURES & BENEFITS

PRODUCTION / INSTALLATION FEATURES

- Minimum Shade = 18-1/8" (460 mm) with compact booster
- Max Drop = 86-5/8" (2.2 m) based on 0.5mm Fabric thickness
- Maintained Pre-tensioning through Spring Head Control
- Left hand control only



FUNCTIONAL BENEFITS

- Compact design allows for smaller shades
- Simple, one-piece design (Booster with integrated control and decelerator)
- Infinite stop provides smaller intervals for stopping points of hembar
- Smooth operation
- Easily Pre-tensioned
- Small deduction consistent with manual Skyline shades for minimal light gaps
- Skyline hooks for use with Skyline brackets