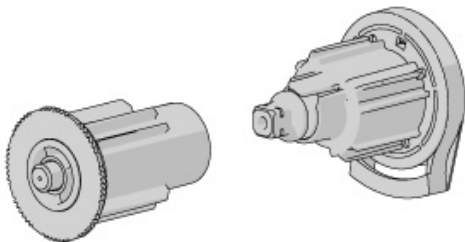


NEW PRODUCT | RB09 Direct with Chain Guide

PRODUCT DETAILS

DESCRIPTION.	RB09 Chain Winder with Guide & Ext Idler S45
CODE.	RB09-4503-xxx000
PACK SIZE.	25 200
COLOUR / FINISH.	Pure White, Satin Black, Sandstone, Silver Grey, Barley
IMAGE.	
USE WITH.	S45 Hardware
AVAILABLE.	September 2023

FEATURES & BENEFITS

- Same deductions, user feel and visual aesthetic as existing RB09 chain winder.
- Optimised control for dual bracket installations – removes the need for RB07 chain winder on top tubes.
- Similar chain guide size as RB07-70 chain winder.
- Supplied as fixed guide, can be configured to swivel during assembly.
- Swivel configuration is optimal for installations where furniture is blocking easy access.