


NEW PRODUCT | MEDIUM HD BRACKET ADAPTOR

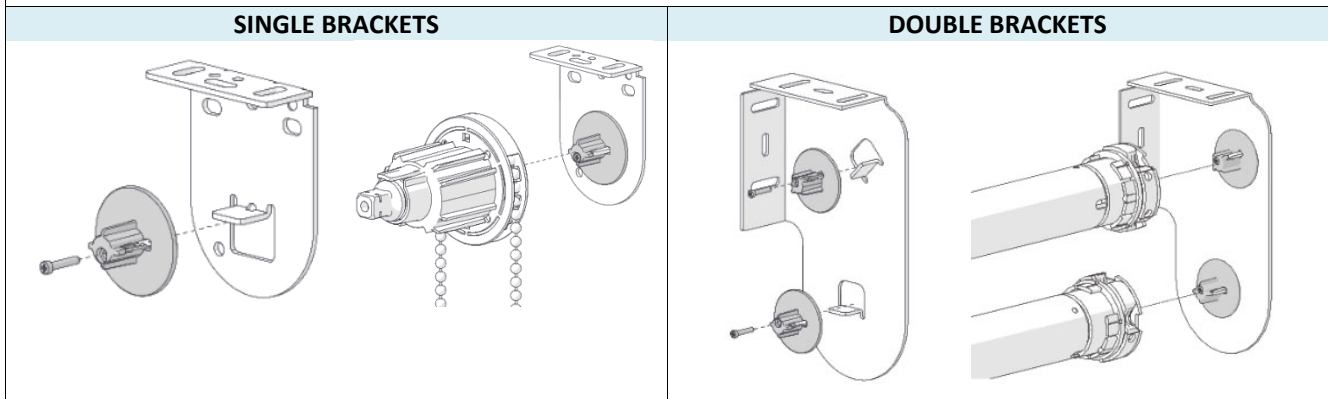
PRODUCT DETAILS	
DESCRIPTION.	Medium HD Bracket Adaptor + Screw
CODE.	RB09-0701-050012 (Black) RB09-0701-069012 (White)
PACK SIZE.	25 200 Pcs
PRICE.	Log in to access pricing
IMAGE.	
USE WITH.	Single & Double Brackets with 12mm tongue, RB07/08/09 Chain Winders, 3Nm & 6Nm motors
AVAILABLE.	In stock now

FUNCTIONAL BENEFITS

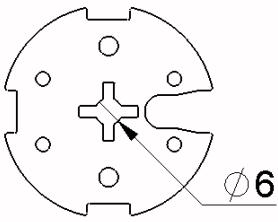
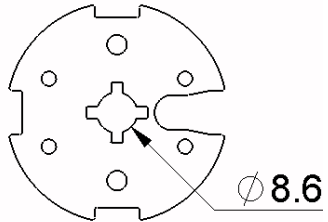
- Motors are now compatible with all RB Double Bracket solutions
 - Requires the motors to use the latest disc adaptors (refer associated PCL's)
- Robust solution for chain winders in commercial applications
 - Designed to protect the 12mm bracket tongue against excessive chain operation force
- Can be retrofit to existing installations
 - Remove roller tube, install HD Bracket adaptor, re-install roller tube
 - Requires additional 1.5mm idler clearance

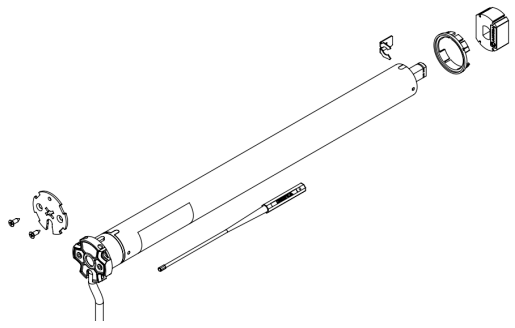
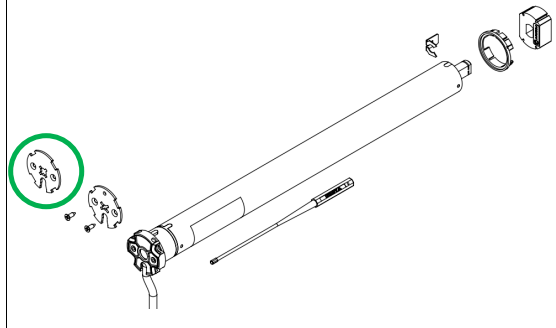
PRODUCTION / INSTALLATION

- Must allow for additional 1.5mm deduction during fabrication
- Screw requires #1 Phillips head

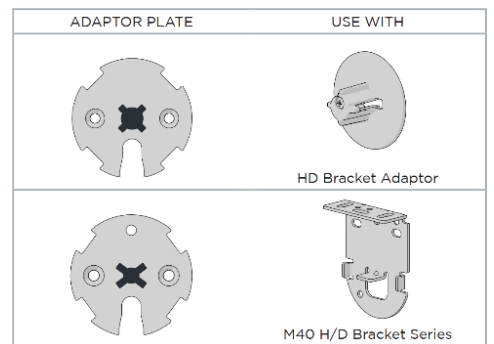


PRODUCT CHANGE | MEDIUM HD BRACKET ADAPTOR

PRODUCT DETAILS		NO CHANGES MADE
DESCRIPTION.	M40 H/D Universal Disc Adaptor - S45	✓
CODE.	RB40-1402-050400 (Black) RB40-1402-069400 (White)	✓
PACK SIZE.	5 1000 pcs	✓
PRICE.	As per catalogue	✓
IMAGE.	PREVIOUS VERSION	NEW VERSION
		
USE WITH.	All existing components, HD Bracket Adaptor	
AVAILABLE.	June 2022	

PRODUCT DETAILS		NO CHANGES MADE
DESCRIPTION.	AUTOMATE S45ML slim MOTOR [Ø35/6Nm/28rpm]	✓
CODE.	RB24-4502-069003	✓
PACK SIZE.	1 12 Sets	✓
PRICE.	As per catalogue	✓
IMAGE.	PREVIOUS VERSION	NEW VERSION
		
USE WITH.	M40 H/D Brackets, HD Bracket Adaptor (with our range of 12mm tongue single & double brackets)	
AVAILABLE.	July 2022	

- To provide M6 motor compatibility with the HD Bracket Adaptor (RB09-0701-xxx012), an additional disc adaptor is included with every motor.
- Instructions included in motor packaging pictured to the right.



PRODUCT CHANGE | MEDIUM HD BRACKET ADAPTOR

PRODUCT DETAILS		NO CHANGES MADE
DESCRIPTION.	AUTOMATE E6 [35mm/6.0Nm/33r] ARC-MTR240V	<input checked="" type="checkbox"/>
CODE.	MTACRF35-6-240V	<input checked="" type="checkbox"/>
PACK SIZE.	1 12 pcs	<input checked="" type="checkbox"/>
PRICE.	<i>As per catalogue</i>	<input checked="" type="checkbox"/>
IMAGE.	PREVIOUS VERSION	NEW VERSION
USE WITH.	All existing components, HD Bracket Adaptor	
AVAILABLE.	July 2022	

PRODUCT CHANGES

- New disc adaptor is compatible with the HD Bracket Adaptor (RB09-0701-xxx012)
- Disc adaptor internal diameter increased to 8.6mm
- The use of the HD Bracket Adaptor will allow E6 & M6 motors to be installed on our range of single and double brackets.

