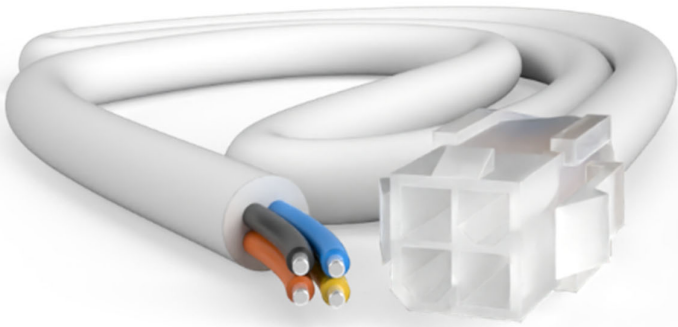


NEW PRODUCT | UNIVERSAL IN-LINE TAIL 5.0M & 10.0M REV

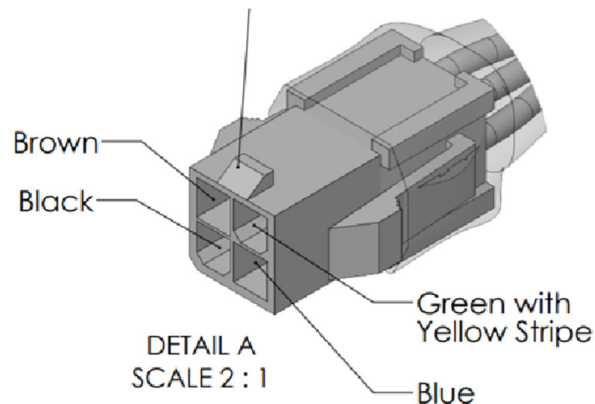
PRODUCT DETAILS

DESCRIPTION.	UNIVERSAL IN-LINE TAIL 5.0M REV	UNIVERSAL IN-LINE TAIL 10.0M REV
CODE.	MT03-0304-069020	MT03-0304-069021
PACK SIZE.	1 50	1 25
COLOUR / FINISH.	White	White
LENGTH.	5m	10m
IMAGE.		
USE WITH.	MT01-1135-069001, MT01-1035-069003 (35mm REV Motors) and MT03-0305-XXX012 (Versa AC Module)	
AVAILABLE.	September 2024	

FEATURES & BENEFITS

PRODUCTION / INSTALLATION FEATURES

- Both new products are to complement the standard **2.5m** in-line tail (**MT03-0304-069019**).
 - Providing a complete product offer with lengths of **2.5m, 5m and 10m**.
- 5m MT03-0304-069020 (REV wiring configuration) is a replace the obsolete 5m RB24-9104-069050 (Gen1 Wiring Configuration).
- 10m MT03-0304-069021 is a new SKU.
- In-line tails allow electrical works to be completed in advance of motors being received, enabling plug & play motor installation.
- Able to be cut shorter and wires stripped to desired length (by licenced electrician).



FUNCTIONAL BENEFITS

- Provide greater convenience to the installer/electrician by being able to reach distances of 2.5m, 5m or 10m from the AC outlet or junction point.

AESTHETIC FEATURES

- White colour